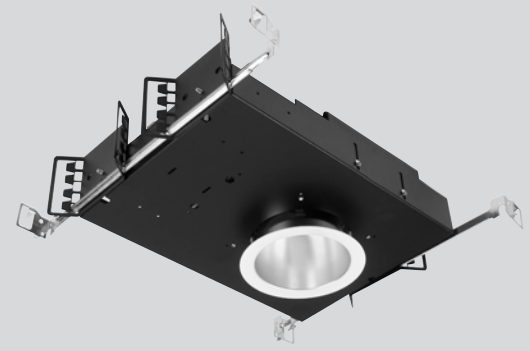


Catalog #	Type
Project	
Notes	Date
Prepared by	



# 4" LED/vHealth™

LED 4" Lensed Downlight, IC Rated, 750-5000 Lumens

## Description

Designed for modern healthcare facilities. 4 inch LED recessed, IC-rated luminaire with medium beam spread, featuring superior thermal management with low profile projection into the plenum. Light engine features LED module and LED driver with outputs ranging from 750 to 5000 lumens and color temperatures from 2700 to 5000K. A wide selection of drivers, anti-microbial finishes and emergency battery back-up options available.

## Specifications and Features

### Construction

Galvanized steel mounting frame with integral junction box featuring hinged access covers and spring retaining latches; (3) 3/4" knockouts allowing straight conduit runs. Listed for (8) #12 AWG (4 in, 4 out), 90° C conductors and feed through branch wiring. Driver, LED module and optional battery backup accessible from below ceiling. Reflectors are held in place by friction clips, securing reflector flange tightly to finished ceiling. Vertically adjustable mounting brackets, accessible from below, accept a variety of mounting bars. Provided as standard with rigid formed bar hangers with joist positioning tabs, integral nails, auxiliary nail holes and T-bar slots. Suitable for joist spacing from 12 to 24".

### Light Engine

LED module produces up to 107 lumens per watt. Output ranges from 750 to 5000 lumens with (4) standard color temperatures. Color variations are less than 3-step MacAdam ellipses and have greater than 85 CRI at all color temperatures. Rated life in excess of 50,000 hours at 70% of initial lumen output (L70≥50,000 hours). Standard driver featuring auto reset thermal protection and 0-10V

dimming to 1% of light output with flicker free operation. Optional Triac (phase control) dimming driver available.

### Optics

LED module features soft white acrylic window, obscuring LED's, preventing pixilation and producing uniform brightness. Reflectors are a one-piece spinning from heavy gauge, high purity aluminum and are self-flanged. Reflectors are available in anti-microbial finishes, producing a uniform distribution free of streaks, striations or hotspots while also provide superior cutoff and brightness control.

### Controls

Compatible with a wide range of controls systems depending on driver selected. Standard driver features SensorReady technology for simple 2 wire connection to motion and daylight harvesting sensors. An open source architecture allows for the use of a wide variety of sensors and the ability to control individual or grouped luminaires through wireless communications.

### Listings

Manufactured and Listed to UL 1598, ETL and CSA standards. IC rated. Suitable for Damp Locations; Wet location under covered ceiling. Ambient operating temperature range: -20°C to 30°C. All photometric tests performed by an accredited NVLP facility and in accordance to IESNA LM-79-2008 testing procedures.

### Warranty

5-year limited warranty on LED module and driver.

## Ordering Information

EXAMPLE: VIC4EVHU-1130K-L4011FR-SGC-AM

Series/Source	Voltage	Lumens	Kelvin	Reflector	Lens	Finish	Options
VIC4EVH 4" round, IC Rated	U <sup>1</sup> - 120V-277V 1 - 120 Volts 2 - 277 Volts	-07 - 750 -11 - 1100 -15 - 1500 -20 - 2000 -30 - 3000 -40 <sup>2</sup> - 4000 -50 <sup>2,3</sup> - 5000	27K - 2700K 30K - 3000K 35K - 3500K 40K - 4000K 50K - 5000K	L401_ <i>Medium Distribution</i>	1 1P 1FRP 4 4P 2D 4D 6D 8D	SCL-AM SGC-AM WHT-AM	TDM <sup>4</sup> EM-17 <sup>7</sup> HCR <sup>10</sup> PF AT

### Lens Options

- 1 - Clear Glass
- 1P - Clear Polycarbonate
- 1FR - Frosted Glass
- 1FRP - Frosted Polycarbonate
- 4 - Prismatic Glass
- 4P - Prismatic Acrylic

### Special Optics

- 2D - Optical Diffuser-20°
- 4D - Optical Diffuser-40°
- 6D - Optical Diffuser-60°
- 8D - Optical Diffuser-80°

### Anti-Microbial Reflector Finish Options

- SCL-AM - Specular Clear
- SGC-AM - Soft Glow Clear
- WHT-AM - White Painted

All trims supplied standard with white painted flange.

### Notes

- 1 - Must provide voltage when optional drivers are selected.

### Options

- TDM<sup>4</sup> - Triac Dimming Driver.
- EM-17<sup>7</sup> - Emergency battery back-up. Remote test button & indicator Light.
- HCR<sup>10</sup> - 90 CRI (minimum).
- PF - Polished Flange.
- AT - Air Tight.

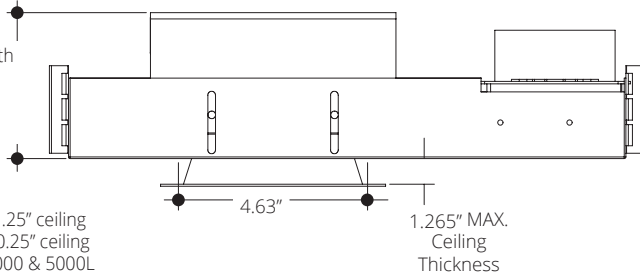
Vantage reserves the right to change components, finishes or design details in any manner which does not alter the installed appearance or reduce performance and intended function.

# LED 4" Lensed Downlight, IC Rated, 750-5000 Lumens

Ceiling Cut Out 4.63"

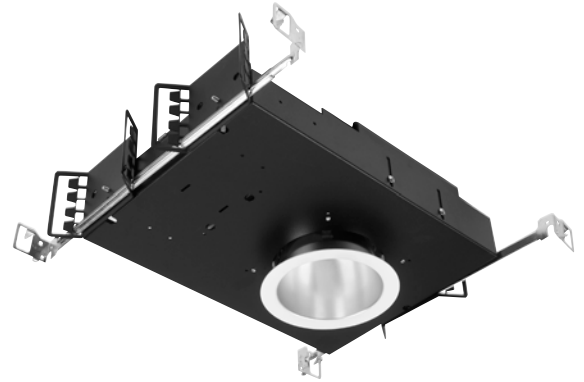
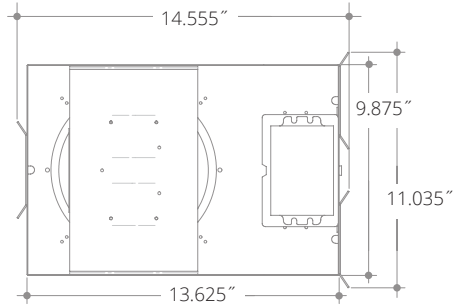
Overall Height with 5/8" Ceiling  
 • 3.57" ≤ 3000L  
 • 3.87" 4000L &

Overall Height  
 • Min 3.14" with 1.25" ceiling  
 • Max 4.05" with 0.25" ceiling  
 • Add 0.30" for 4000 & 5000L



Lumens	Wattage*
750	9.4
1100	15.4
1500	21.6
2000	27.2
3000	33.2
4000	45.6
5000	58.5

*All measured at 3000K  
 \*Actual Wattage/Lumens may vary.*



## Photometrics

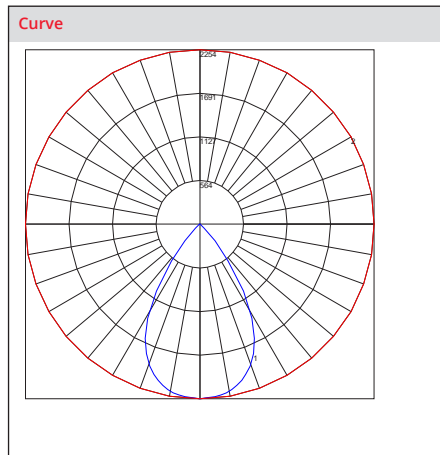
**Test Number**  
L011705701

**Model**  
VIC4EVHU-2035K

**Lumens**  
2259.94

**Efficacy**  
89

**SC**  
1.00



**Cone of Light**

	Center Beam fc		
1.7	1,708	0.5	0.5
3.3	453	0.9	0.9
5.0	197	1.3	1.4
6.7	110	1.8	1.8
8.3	71.6	2.2	2.2
10.0	49.4	2.7	2.7

**Candela Table**

Degrees Vertical	Candela
0.0	2254
1.0	2251
3.0	2243
5.0	2233
7.0	2221
9.0	2203
11.0	2175
13.0	2136
15.0	2088
17.0	2030
19.5	1944
22.5	1809
25.5	1637
29.0	1392
33.0	1033
37.5	601
42.5	288
47.5	79
55.0	9
65.0	6
75.0	5
85.0	4
90.0	0

**Zonal Lumen Summary**

Zone	Lumens	% Luminaire
45	29006	29006
55	1754	1754
65	1587	1587
75	2159	2159
85	5130	5130

**VANTAGE LIGHTING vHealth™ Multipliers**

CRI	MULTIPLIER	KELVIN	MULTIPLIER	FINISH	MULTIPLIER
80	1	5000K	1.098	SCL	1
90	0.81	4000K	1.035	SGC	0.95
		3500K	1	WHT	0.87
		3000K	0.975		
		2700K	0.939		