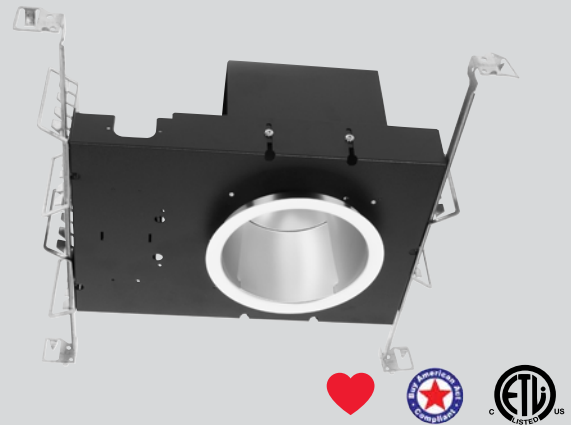


Catalog #	Type
Project	
Notes	Date
Prepared by	



6" LED/vHealth™

LED 6" Open Wall Wash, IC Rated, 750-5000 Lumens

Description

Designed for medical imaging areas. 6 inch LED recessed, IC rated luminaire with wall wash spread, featuring superior thermal management with low profile projection into the plenum. Light engine features LED module and LED driver with outputs ranging from 750 to 5000 lumens and color temperatures from 2700 to 5000K. A wide selection of drivers, reflector finishes and emergency battery back-up options available.

Specifications and Features

Construction

Galvanized steel mounting frame with integral junction box featuring hinged access covers and spring retaining latches; (3) ¾" knockouts allowing straight conduit runs. Listed for (8) #12 AWG (4 in, 4 out), 90oC conductors and feed through branch wiring. Driver, LED module and optional battery backup accessible from below ceiling. Reflectors are held in place by friction clips, securing reflector flange tightly to finished ceiling. Vertically adjustable mounting brackets, accessible from below, accept a variety of mounting bars. Provided as standard with rigid formed bar hangers with joist positioning tabs, integral nails, auxiliary nail holes and T-bar slots. Suitable for joist spacing from 12 to 24".

Light Engine

LED module produces up to 107 lumens per watt. Output ranges from 750 to 5000 lumens with (4) standard color temperatures. Color variations are less than 3-step MacAdam ellipses and have greater than 85 CRI at all color temperatures. Rated life in excess of 50,000 hours at 70% of initial lumen output ($L_{70} \geq 50,000$ hours). Standard driver features auto reset thermal protection and 0-10V dimming-free operation. Optional Triac (phase control) driver available.

Optics

LED module features soft white acrylic window, obscuring LED's, preventing pixilation and producing uniform brightness. Reflectors are a one-piece spinning from heavy gauge, high purity aluminum and are self-flanged. Reflectors are available in both Anti-Microbial Alzak® and painted finishes, producing a uniform distribution free of streaks, striations or hotspots while also provide superior cutoff and brightness control. Standard distribution is medium with lens options available that include glass and polycarbonate materials with a variety of optical properties.

Controls

Compatible with a wide range of controls systems depending on driver selected. Standard driver features SensorReady technology for simple 2 wire connection to motion and daylight harvesting sensors. An open source architecture allows for the use of a wide variety of sensors and the ability to control individual or grouped luminaires through wireless communications.

Listings

Manufactured and Listed to UL 1598, ETL and CSA standards. IC rated, insulation may be in direct contact with luminaire. Suitable for Damp Locations; Wet location under covered ceiling. Ambient operating temperature range: -20°C to 30°C. All photometric tests performed by an accredited NVLP facility and in accordance to IESNA LM-79-2008 testing procedures.

Warranty

5-year limited warranty on LED module and driver.

Ordering Information

EXAMPLE: VIC6OVHWWU-1130K-L6160-SCL-AM

Series/Source	Voltage	Lumens	Kelvin	Reflector	Finish	Options
VIC6OVHWW 6" round, Wall Wash IC Rated	U ¹ - 120V-277V 1 - 120 Volts	-07 - 750 -11 - 1100 -15 - 1500 -20 - 2000 -30 - 3000 -40 - 4000 -50 - 5000	27K - 2700K 30K - 3000K 35K - 3500K 40K - 4000K 50K - 5000K	L6160	SCL SGC WHT	TDM EM-17 HCR ¹⁰ PF

Notes

1 - Must provide voltage when optional drivers are selected.

Anti-Microbial Reflector Finish Options

SCL-AM - Specular Clear
SGC-AM - Soft Glow Clear
WHT-AM - White Painted

All trims supplied standard with white painted flange.

Options

TDM - Triac Dimming Driver. Not available above 5000 Lumens.
EM-17 - Emergency battery back-up. Remote test button & indicator Light.
HCR¹⁰ - 90 CRI (minimum)
PF - Polished Flange

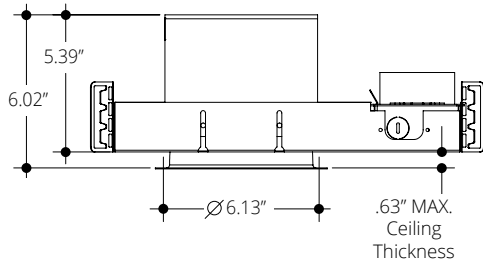
Vantage reserves the right to change components, finishes or design details in any manner which does not alter the installed appearance or reduce performance and intended function.

LED 6" Open Wall Wash, IC-rated, 750-5000 Lumens

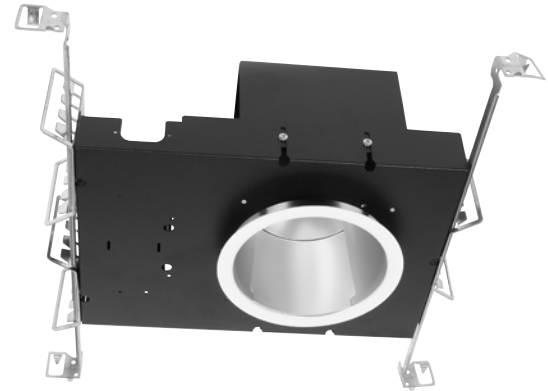
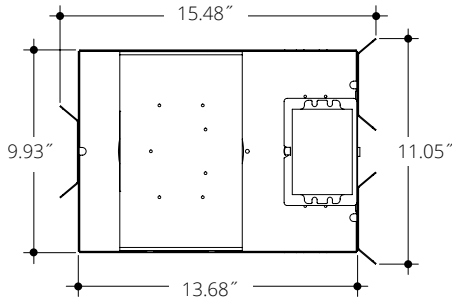
Ceiling Cut Out 6.13"

Above Ceiling Height with 5/8" Ceiling
 • 5.39" ≤ 3000L
 • 5.70" 4000L & 5000L

Above Ceiling Height
 • Max Ceiling Thickness 1.21" - 4.81"
 • Min Ceiling Thickness 0.15" - 5.87"

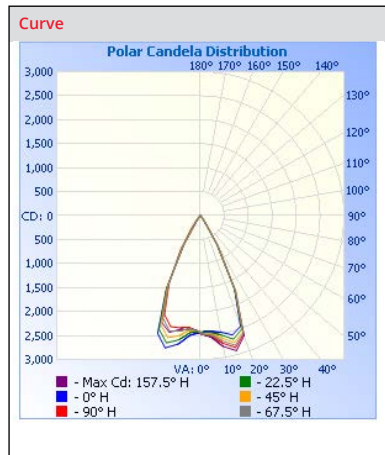


	Lumens	Wattage*
	750	9.4
	1100	15.4
	1500	21.6
	2000	27.2
	3000	33.2
	4000	45.6
	5000	58.5
<i>All measured at 3000K</i>		
<i>*Actual Wattage/Lumens may vary.</i>		



Photometrics

Test Number
 PHM-RPT-180223-02
Model
 VIC6VOVHWWU-2035K
Lumens
 1975.19
Efficacy
 75.76
SC
 0.9938



Cone of Light

	Center Beam fc	Beam Width	
1.7	844	1.6	1.4
3.3	224	3.1	2.8
5.0	97.5	4.7	4.3
6.7	54.3	6.3	5.7
8.3	35.4	7.8	7.1
10.0	34.4	9.4	8.5

Candela Table

Degrees Vertical	Candela
0.0	2438
1.0	2427
3.0	2412
5.0	2420
7.0	2438
9.0	2456
10.0	2464
15.0	2575
20.0	2450
25.0	1687
30.5	720
35.0	175
40.0	38
45.0	22
50.0	14
55.0	11
60.0	9
65.0	8
70.0	7
75.0	6
80.0	6
85.0	5
90.0	5
100.0	5

Zonal Lumen Summary

Zone	Lumens	% Luminaire
0-30	1701.5	86.1
0-40	1880.3	95.2
0-60	1921.7	97.3
60-90	19.7	1
70-100	16.7	0.8
90-120	14.8	0.7
0-90	1941.4	98.3
90-180	33.8	1.7
0-180	1975.2	100

VANTAGE LIGHTING vHealth™ Multipliers

CRI	MULTIPLIER	KELVIN	MULTIPLIER	FINISH	MULTIPLIER
80	1	5000K	1.098	SCL	1
90	0.81	4000K	1.035	SGC	0.95
		3500K	1	WHT	0.87
		3000K	0.975		
		2700K	0.939		