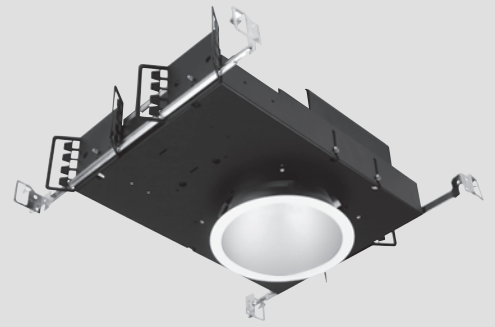


Catalog #	Type
Project	
Notes	Date
Prepared by	



6" LED/vHealth™ MRI

LED 6" Lensed Non-Ferrous MRI Downlight, IC-Rated, 750-5000 Lumens



Description

Designed for medical imaging areas. 6 inch LED recessed, IC rated luminaire with projection into the plenum. Light engine features LED module and LED driver with outputs ranging from 750 to 5000 lumens and color temperatures from battery back-up options available.

Specifications and Features

Construction

Non-ferrous mounting frame with integral junction box featuring hinged access covers and spring retaining latches; (3) 3/4" knockouts allowing straight conduit runs. Listed for (8) #12 AWG (4 in, 4 out), 90oC conductors and feedthrough branch wiring. LED module accessible from below ceiling. Remote mount driver. Vertically adjustable mounting brackets, accessible from below, accept a variety of mounting bars. Provided as standard with rigid formed, galvanized bar hangers which incorporating joist positioning tabs, integral nails, auxiliary nail holes and T-bar slots. Suitable for joist spacing from 12 to 24".

Light Engine

LED module produces up to 107 lumens per watt. Output ranges from 750 to 5000 lumens with (4) standard color temperatures. Color variations are less than 3-step MacAdam ellipses and have greater than 85 CRI at all color temperatures. Rated life in excess of 50,000 hours at 70% of initial lumen output (L70≥50,000 hours). Standard driver features auto reset thermal protection and 0-10V dimmingfree operation. Optional Triac (phase control) and Lutron Hi-Lume 2 to 1% of light output with Triac (phase control) and Lutron Hi-Lume 2 wire and Ecosystem Fade-to-Black dimming drivers available.

Optics

LED module features soft white acrylic window, obscuring LED's, preventing pixilation and producing uniform brightness from heavy gauge, high purity aluminum and are self-available in both Anti-Microbial Alzak® and painted distribution free of streaks, striations or hotspots while also provide superior and brightness control. Standard distribution is medium with lens options available that include glass and polycarbonate materials with a variety of optical properties.

Controls

Compatible with a wide range of controls systems depending on driver selected. Standard driver features SensorReady technology for simple 2 wire connection to motion and daylight harvesting sensors. An open source architecture allows for the use of a wide variety of sensors and the ability to control individual or grouped luminaires through wireless communications.

Listings

Manufactured and Listed to UL 1598, ETL and CSA standards. IC rated, insulation may be in direct contact with luminaire. Suitable for Damp Locations; Wet location under covered ceiling. Ambient operating temperature range: -20°C to 30°C. All photometric tests performed by an accredited NVLP facility and in accordance to IESNA LM-79-2008 testing procedures.

Warranty

5-year limited warranty on LED module and driver.

Ordering Information

EXAMPLE: VIC6EVHMRIU-1130K-L6011FR-SGC-AM

Series/Source	Voltage	Lumens	Kelvin	Reflector	Lens	Finish	Options
VIC6EVHMRI 6" round	U ¹ - 120V-277V 1 - 120 Volts 2 - 277 Volts	-07 ⁸ - 750 -11 ⁸ - 1100 -15 ⁸ - 1500 -20 ⁸ - 2000 -30 - 3000 -40 ³ - 4000 -50 ³ - 5000	27K - 2700K 30K - 3000K 35K - 3500K 40K - 4000K 50K - 5000K	L601_ <i>Medium Distribution</i>	1 1P 1FR 1FRP 4 4P 2D 4D 6D 8D	SCL-AM SGC-AM WHT-AM	DL-2 ² LDE1 ³ TDM ⁴ DTD ⁶ EM-17 ⁷ HCR ¹⁰ PF AT

Notes

- 1 - Must provide voltage when optional drivers are selected.
- 2 - DL-2 Not available above 3000 Lumens.
- 3 - LDE1 not available above 4000 Lumens.
- 4 - TDM driver not available above 5000 Lumens.
- 6 - DTD not available above 4000 Lumens.
- 7 - EM17 for use up to 5000 lumens.
- 8 - EM20 for use above 5000 Lumens.
- 10 - HCR not available in 5000K

Lens Options

- 1 - Clear Glass
- 1P - Clear Polycarbonate
- 1FR - Frosted Glass
- 1FRP - Frosted Polycarbonate
- 4 - Prismatic Glass
- 4P - Prismatic Acrylic

Special Optics

- 2D - Optical Diffuser-20°
- 4D - Optical Diffuser-40°
- 6D - Optical Diffuser-60°
- 8D - Optical Diffuser-80°

Anti-Microbial Reflector Finish Options

- SCL-AM - Specular Clear
- SGC-AM - Soft Glow Clear
- WHT-AM - White Painted

All trims supplied standard with white painted flange.

Options

- DL-2² - Lutron 2 wire Hi-Lume Dimming Driver.
- LDE1³ - Lutron EcoSystem Fade-to-Black™.
- TDM⁴ - Triac Dimming Driver.
- DTD⁶ - 0.1% dimming.
- EM-17⁷ - Emergency battery back-up. Remote test button & indicator Light.
- HCR¹⁰ - 90 CRI (minimum).
- PF - Polished Flange.
- AT - Airtight

Vantage reserves the right to change components, finishes or design details in any manner which does not alter the installed appearance or reduce performance and intended function.

LED 6" Lensed Non-Ferrous MRI Downlight, IC_Rated, 750-5000 Lumens

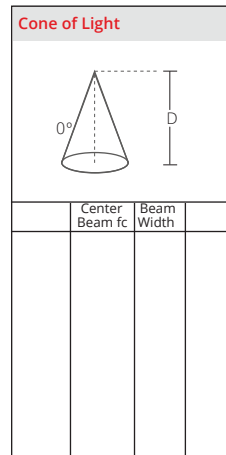
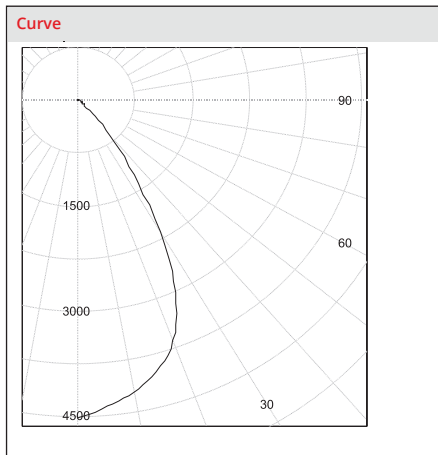
Lumens	Wattage*
750	9.4
1100	15.4
1500	21.6
2000	27.2
3000	33.2
4000	45.6
5000	58.5

*All measured at 3000K
Actual Wattage/Lumens may vary.



Photometrics

Test Number
 LLI-17113-10
Model
 VIC6EVHMRIU-5035K-L6011SCL
Lumens
 4095
Efficacy
 70.2
SC
 0.99



Candela Table

Degrees Vertical	Candela	
0.0	4504	82
2.5	4465	74
5.0	4378	69
7.5	4303	65
10.0	4221	64
12.5	4124	63
15.0	4002	59
20.0	3646	55
22.5	3371	53
25.0	3019	47
27.5	2631	28
30.0	2158	1
32.5	1670	0
35.0	1279	0
37.5	950	0
40.0	658	0
42.5	428	0
45.0	253	0
47.5	139	0
50.0	96	0

Zonal Lumen Summary

Zone	Lumens	% Luminaire
0-30	2693	70.6
0-40	3704	90.5
0-60	3993	97.5
0-90	4095	100.0
40-90	391	9.5
60-90	102	2.5
90-180	0	0.0
0-180	4095	100.0

VANTAGE LIGHTING F-CLASS GEN V Multipliers

CRI	MULTIPLIER	KELVIN	MULTIPLIER	FINISH	MULTIPLIER
80	1	5000K	1.098	SCL	1
90	0.81	4000K	1.035	SGC	0.95
		3500K	1	WHT	0.87
		3000K	0.975		
		2700K	0.939		