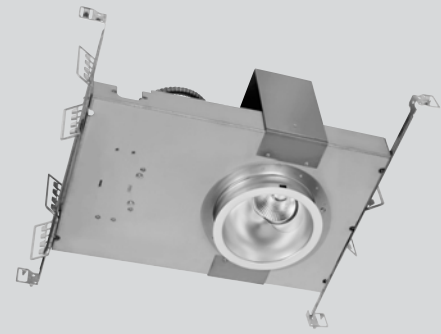


Catalog #	Type
Project	
Notes	Date
Prepared by	



6" LED/vHealth™

LED 6" Open Adjustable, 800-3000 Lumens

Description

Designed for modern healthcare facilities. 6 inch LED recessed, non-IC adjustable luminaire with multiple beam spread options, featuring superior thermal management with low profile projection into the plenum. Light engine features LED module and LED driver with outputs ranging from 800 to 3000 lumens and color temperatures from 2700 to 5000K. A wide selection of drivers, anti-microbial finishes and emergency battery back-up options available.

Specifications and Features

Construction

Galvanized steel mounting frame with integral junction box featuring hinged access covers and spring retaining latches; (3) 3/4" knockouts allowing straight conduit runs. Listed for (8) #12 AWG (4 in, 4 out), 90°C conductors and feed through branch wiring. Driver, LED module and optional battery backup accessible from below ceiling. Reflectors are held in place by friction clips, securing reflector flange tightly to finished ceiling.

Vertically adjustable mounting brackets, accessible from below, accept a variety of mounting bars. Provided as standard with rigid formed bar hangers with joist positioning tabs, integral nails, auxiliary nail holes and T-bar slots. Suitable for joist spacing from 12 to 24".

Light Engine

LED module produces up to 107 lumens per watt. Output ranges from 800 to 3000 lumens with (4) standard color temperatures. Color variations are less than 3-step MacAdam ellipses and have greater than 85 CRI at all color temperatures.

Rated life in excess of 50,000 hours at 70% of initial lumen output (L70≥50,000 hours). Standard driver featuring auto reset thermal protection and 0-10V dimming to 1% of light output with flicker free operation. Optional Triac (phase control) Lutron Fade-to-Black and 2 wire dimming drivers available.

Optics

LED module features soft white acrylic window, obscuring LED's, preventing pixilation and producing uniform brightness. Reflectors are a one-piece spinning from heavy gauge, high purity aluminum and are self-flanged. Reflectors are available in anti-microbial finishes, producing a uniform distribution free of streaks, striations or hotspots while also provide superior cutoff and brightness control.

Controls

Compatible with a wide range of controls systems depending on driver selected. Standard driver features SensorReady technology for simple 2 wire connection to motion and daylight harvesting sensors. An open source architecture allows for the use of a wide variety of sensors and the ability to control individual or grouped luminaires through wireless communications.

Listings

Manufactured and Listed to UL 1598, ETL and CSA standards. Non-IC rated. Insulation to be kept 3" from luminaire. Suitable for Damp Locations; Wet location under covered ceiling. Ambient operating temperature range: -20°C to 30°C. All photometric tests performed by an accredited NVLP facility and in accordance to IESNA LM-79-2008 testing procedures.

Warranty

5-year limited warranty on LED module and driver.

Ordering Information

EXAMPLE: V6OVHMRIADJ1-N-2035K-L6030-WHT-AM

Series/Source	Voltage	Distribution	Lumens	Kelvin	Reflector	Finish	Options
V6OVHADJ 6" round, Adjustable	1 - 120 Volts 2 - 277 Volts	N M	-08 - 800 -11 - 1100 -15 - 1500 -20 - 2000 -30 - 3000	27K - 2700K 30K - 3000K 35K - 3500K 40K - 4000K 50K - 5000K	L6030 15°/45°	SGC-AM WHT-AM	DL-2 ² LDE1 ³ TDM ⁴ DTD ⁶ EM-17 ⁷ HCR ¹⁰ PF

Voltage Options

1 - 120 Volts
2 - 277 Volts

Distribution

N - Narrow 22°
M - Medium 54°

Notes

2 - DL-2 Not available above 3000 Lumens.
10 - HCR not available above 2000 Lumens.

Anti-Microbial Reflector Finish Options

SGC-AM - Soft Glow Clear
WHT-AM - White Reflector

All trims supplied standard with white painted flange

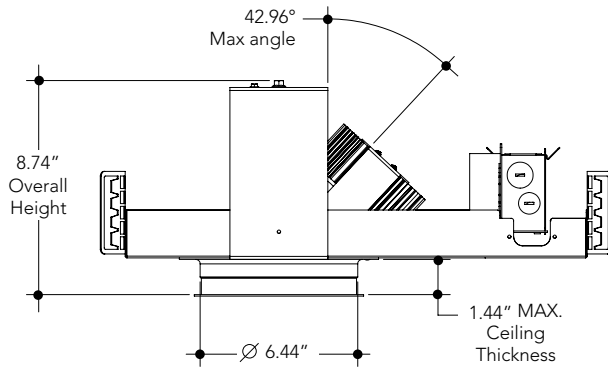
Options

DL-2² - Lutron 2 wire Hi-Lume Dimming Driver.
LDE1³ - Lutron EcoSystem Fade-to-Black™.
TDM⁴ - Triac Dimming Driver.
DTD⁶ - 0.1% dimming
EM-17⁷ - Emergency battery back-up. Remote test button & indicator Light.
HCR¹⁰ - 90 CRI (minimum).
PF - Polished Flange.

Vantage reserves the right to change components, finishes or design details in any manner which does not alter the installed appearance or reduce performance and intended function.

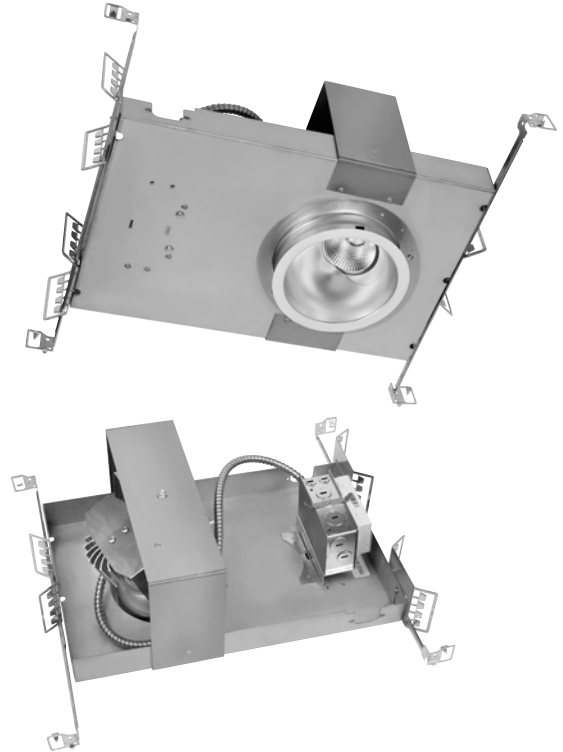
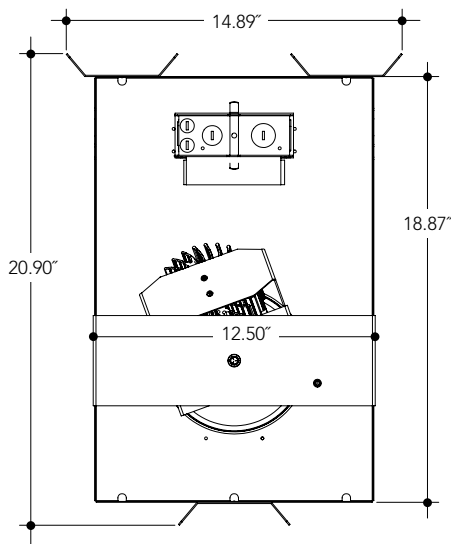
LED 6" Open Adjustable, 800-3000 Lumens

Ceiling Cut Out 6.44"



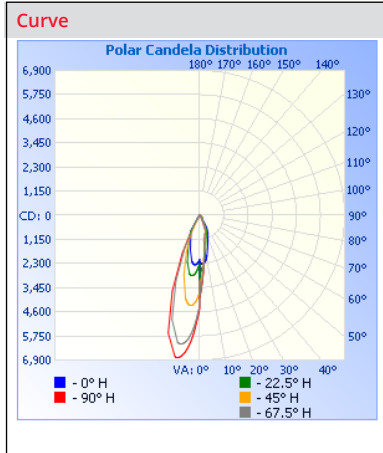
Lumens	Wattage*
1100	15.0
1300	25.0
3000	40.0

*All measured at 3000K
Actual Wattage/Lumens may vary.



Photometrics

Test Number
 PHM-RPT-180302-12
Model
 A6VOVHADJU-2035K
Lumens
 1670.67
Efficacy
 72.19
SC
 0.9927



Cone of Light

	Center Beam fc	Beam Width	
1.7	1082	0.5	0.6
3.3	287	1.0	1.2
5.0	125	1.5	1.8
6.7	69.7	2.1	2.5
8.3	45.4	2.5	3.0
10.0	31.3	3.1	3.7

Candela Table

Degrees Vertical	Candela
0.0	3128
1.0	2260
3.0	2310
5.0	2282
7.0	2188
9.0	2043
10.0	1952
15.0	1479
20.0	1119
25.0	914
30.0	646
35.0	205
40.0	160
45.0	125
50.0	71
55.0	37
60.0	19
65.0	12
70.0	9
75.0	7
80.0	6
85.0	5
90.0	5

Zonal Lumen Summary

Zone	Lumens	% Luminaire
0-30	1326.4	79.4
0-40	1453.8	87
0-60	1571.2	94
60-90	45.9	2.7
70-100	31.8	1.9
90-120	34.5	1.5
0-90	1617.1	96.8
90-180	53.6	3.2
0-180	1670.7	100

VANTAGE LIGHTING vHealth™ Multipliers

CRI	MULTIPLIER	KELVIN	MULTIPLIER	FINISH	MULTIPLIER
80	1	5000K	1.098	SCL	1
90	0.81	4000K	1.035	SGC	0.95
		3500K	1	WHT	0.87
		3000K	0.975		
		2700K	0.939		