

Catalog #	Type
Project	
Notes	Date
Prepared by	



6" LED/F-Class Commercial Retrofit Kit

LED 6" Downlight Commercial-Grade Retrofit Kit, non-IC, 1100-2000 lumens



Description

Commercial-grade 6 inch LED recessed, non-IC LED retrofit kit with medium beam spread, featuring superior thermal management and simple installation. Light engine features LED module and LED driver with outputs ranging from 1100 to 2000 lumens and color temperatures from 3000K to 4000K. Multiple reflector finishes available.

Specifications and Features

Benefits

- High energy efficiency system up to 107 lm/W.
- Wide range of lumen packages from 1100-2000 lm.
- High quality of light with CRI 80 and 3 SDCM color consistency.
- 0-10V dimming to 1% of lumen output.
- Input volts 120-277V.
- Minimum 50,000 hours of life at L₇₀ standard.

Construction

Self-contained LED/Driver module system provides low profile and easy installation from below ceiling. Universal friction clips provide robust retention of LED/Driver module and reflector system to pre-existing downlight housing.

Listings

Manufactured and Listed to UL 1598, ETL and CSA standards. Non-IC rated. Insulation to be kept 3" from luminaire. Suitable for Damp Locations; Wet location under covered ceiling. Indoor use only. Ambient operating temperature range: -20°C to 30°C. All photometric tests performed by an accredited NVLP facility and in accordance to IESNA LM-79-2008 testing procedures.

Warranty

5-year limited warranty on LED components.

Ordering Information

EXAMPLE: RET-V6OFCR-1130K-F6060-SCL-R

Series/Source	Lumens	Kelvin	Reflector	Finish	Options
RET-V6OFCR 6" round, Open	-11 - 1100 -15 - 1500 -20 - 2000	30K - 3000K 35K - 3500K 40K - 4000K	F6060 <i>Medium Distribution</i> F6015 <i>Non-Conductive Shower Trim</i>	SCL-R SGC-R WHT-R	GR-6-xx

Reflector Finish Options

SCL-R - Specular Clear "Alzak"
SGC-R - Soft Glow Clear
WHT-R - White Reflector

All trims supplied standard
with white painted flange.

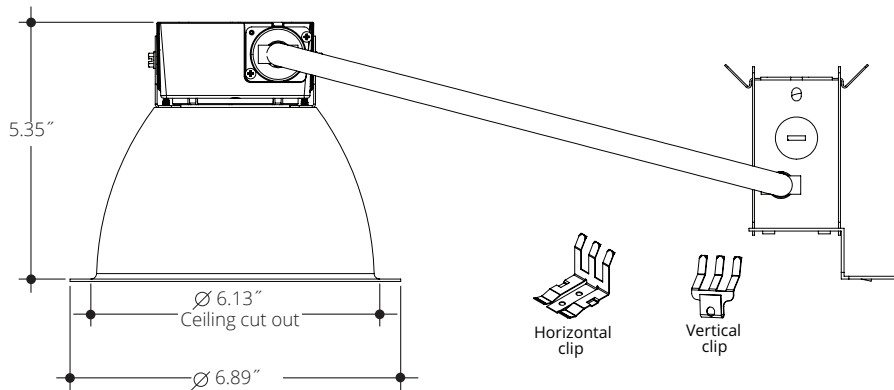
Options

GR-6-xx - 6" Goof Ring
(specify outer dimension in
inches where 'xx' are.)

Vantage reserves the right to change components, finishes or design details in any manner which does not alter the installed appearance or reduce performance and intended function.

Dimensional Data: LED 6" Commercial Downlight Retrofit Kit, non-IC, 1100-2000 Lumens

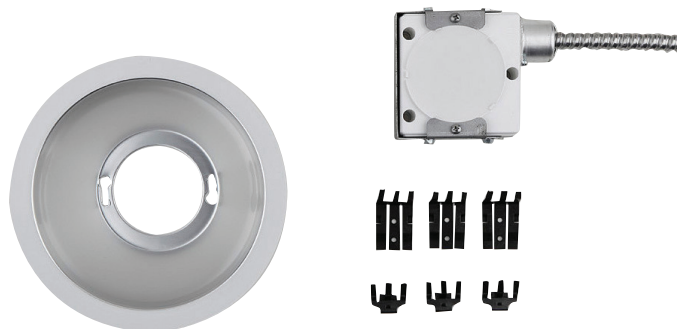
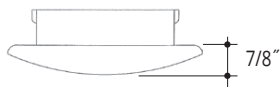
Ceiling Cut Out 6.13"



F-CLASS COMMERCIAL RETROFIT KIT CONTENTS

SHOWER TRIM - LED - ROUND 6" Aperture

M6015 Non Conductive Shower Trim



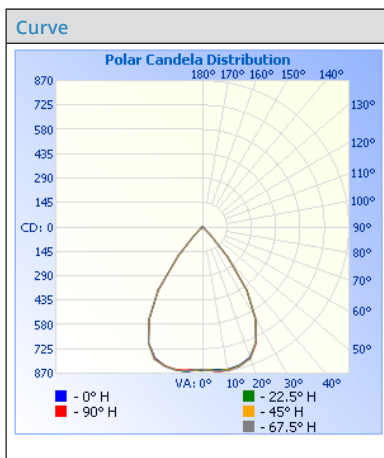
Lumens

Lumens	Wattage*
1100	10.5
1500	15.1
2000	20.1

All measured at 3000K
*Actual Wattage/Lumens may vary.

Photometrics

Test Number
PHM-RPT-180302-07
Model
RET-V6OF CRU-1135K
Lumens
1046.39
Efficacy
97.15
SC
0.9728



Cone of Light

	Center Beam fc		
1.7	293	2.3	2.4
3.3	77.8	4.5	4.7
5.0	33.9	6.8	7.1
6.7	18.9	9.1	9.6
8.3	12.3	11.3	11.9
10.0	8.47	13.6	14.3

Candela Table

Degrees Vertical	Candela
0.0	847
1.0	846
3.0	848
5.0	853
7.0	856
9.0	858
10.0	859
15.0	850
20.0	823
25.0	753
30.0	630
40.0	232
45.0	71
50.0	14
55.0	9
60.0	7
65.0	5
70.0	4
75.0	4
80.0	3
85.0	3
90.0	3
95.0	3
100.0	3

Zonal Lumen Summary

Zone	Lumens	% Luminaire
0-30	663.2	63.4
0-40	936.6	89.5
0-60	1014.5	97
60-90	12.3	1.2
70-100	10.1	1
90-120	8.6	0.8
0-90	1026.8	98.1
90-180	19.6	1.9
0-180	1046.4	100

VANTAGE LIGHTING F-CLASS Commercial Multipliers

CRI	MULTIPLIER	KELVIN	MULTIPLIER	FINISH	MULTIPLIER
80	1	4000K	1.035	SCL-R	1
		3500K	1	SGC-R	0.95
		3000K	0.975	WHT-R	0.87