

Catalog #	Quantity
Project	
Notes	Date
Prepared by	

6" LED/Capela

LED 6" Square Regressed Micro Flange Downlight, 700-3000 Lumens



*New construction frame sold separately

2700K 3000K 3500K 4000K



Features

Optics

Soft glow clear, specular clear and white finishes
Efficient optical design
15, 30, and 45 degree beam spreads
Frosted polycarbonate regressed lens

Controls

0-10V to 1% driver standard
0-10V to 0.1% &, Lutron, & Triac/Forward phase optional

Construction

Self-flanged or micro-flanged cold-rolled steel housing
Polyester powder coat
Torsion springs for maximum ceiling retention
Standard IC-rated up to 2,000 lumens
Optional new construction frame with quick connect

Electrical

High flux CoB array
80+ CRI standard, 90+ CRI optional
2700K, 3000K, 3500K, 4000K standard
High-performance Dim-to-Warm
70% lumen maintenance at 50,000 hours
Tested according to LM-79 and LM-80 standards
120 - 277V Universal Input standard

Listings

ETL certified to UL 1598 and UL 8750 requirements
Energy Star certified
Suitable for damp locations; Wet location under covered ceiling;
Not recommended for outdoor use
Buy American Act

Warranty

5-year limited warranty. Complete warranty terms located at:
<http://vantageltg.com/product-warranty/>

Ordering Information

EXAMPLE: V6CRSM-2030K-S6040-SGC-W-WHT

Series/Source	Voltage	Nominal Lumens	Kelvin	Reflector	Finish	Distribution	Flange Color	Frame	Options
V6CRSM 6" square, Regressed Micro Flange	U - 120V-277V 1 - 120 Volts ¹ 3 - 347 Volts ³	-07 - 700 -13 - 1300 -20 - 2000 -30 - 3000	27K - 2700K 30K - 3000K 35K - 3500K 40K - 4000K DTW - Dim- to-Warm	S6040	SCL SGC WHT	N M W	WHT BLK	NCFAQ <i>New Construction Frame w/ Advanced QuickConnect RMDL Remodeler</i>	DL-2 ² DL-3 ² EM ² HCR LDE1 ² TDM ¹ XDM ²

Notes

¹TDM - available only in 120V

²Lutron Drivers - please consult factory

³Step-down Transformer

Kelvin Options

DTW - Dimmable
3000K to 1800K

Reflector Finish Options

SCL - Specular Clear
SGC - Soft Glow Clear
WHT - White Painted

Distribution Options

N - 15° Distribution
M - 30° Distribution
W - 45° Distribution

Frame

NCFAQ - New Construction Frame w/ Advanced QuickConnect
RMDL - Remodeler

Options

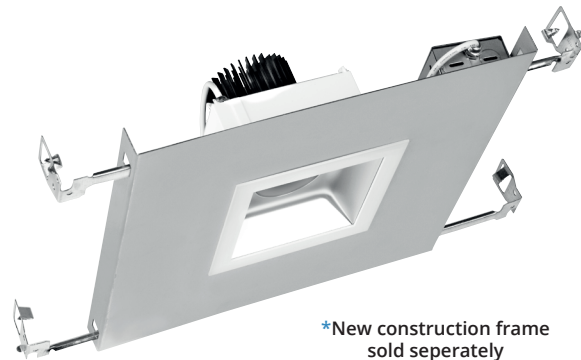
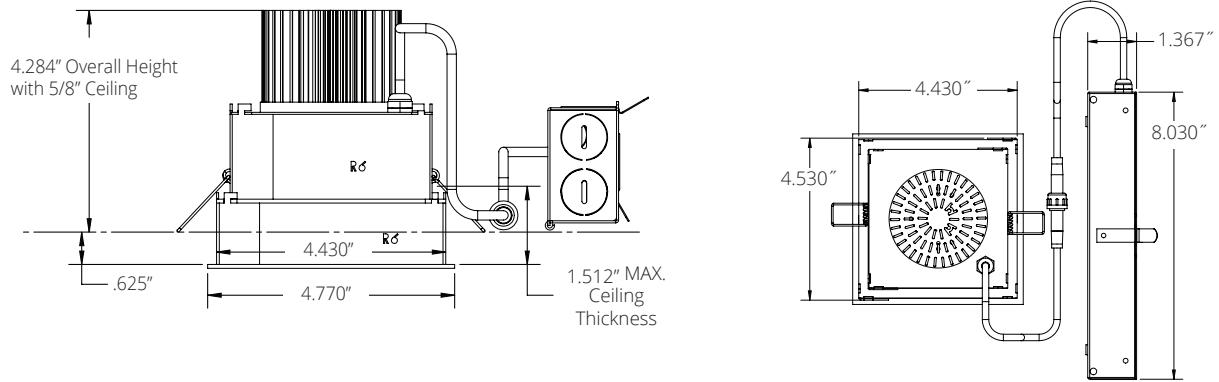
DL-2² - Lutron 2 wire HiLume Dimming Driver
DL-3² - Lutron 3 wire HiLume Dimming Driver
EM² - Emergency battery back-up. Remote test button & indicator Light

HCR - 90+ CRI
LDE1² - Lutron EcoSystem Fade-to-Black™
TDM¹ - Triac Dimming Driver (Forward Phase)
XDM² - 0-10V 0.1% Dimming

Vantage reserves the right to change components, finishes or design details in any manner which does not alter the installed appearance or reduce performance and intended function. | Capela™ is a trademark of Vantage Lighting.

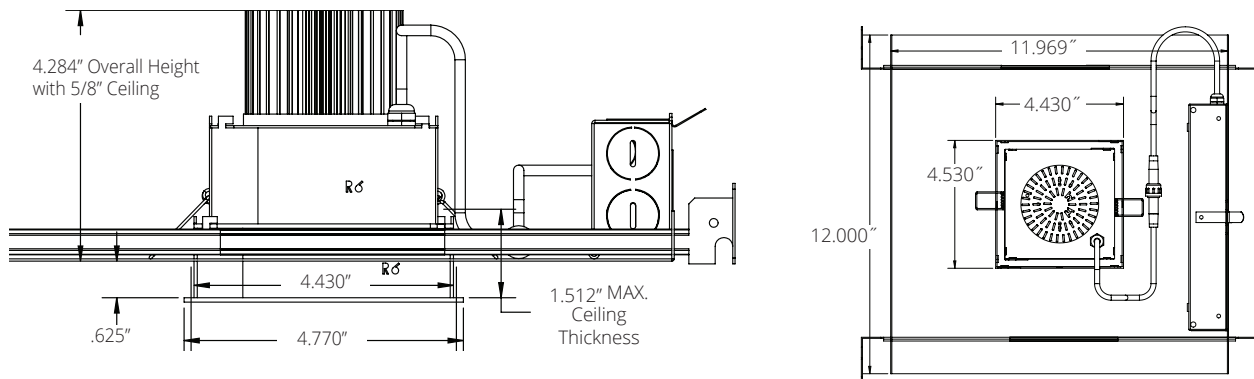
Dimensional Data: LED 6" Square Regressed Micro Flange Downlight

Ceiling Cut Out 4.530x4.430"



*New construction frame sold separately

Ceiling Cut Out 4.530x4.430"



Lumens/Wattage

Nominal Lumens	Wattage*	CCT
700	7.56	3500K
1300	12.7	3500K
2000	19.6	3500K
3000	27.4	3500K

*Actual Wattage/Lumens may vary.

Emergency Lumen Output

Nominal Lumens	Wattage*	CCT
300	2.5	3500K

*Actual Wattage/Lumens may vary.


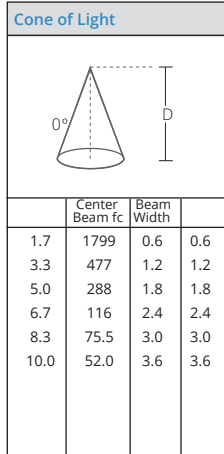
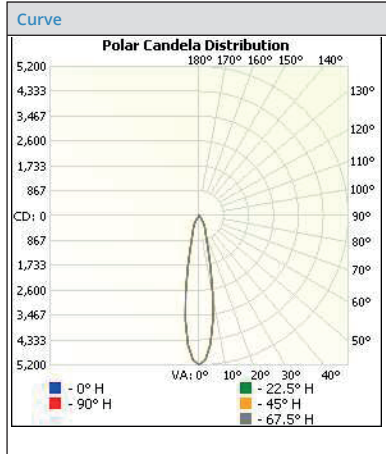
Dim-to-Warm Performance

Nominal Lumens	100%					1%			
	Wattage	CCT	CRI	R9	Wattage	CCT	CRI	R9	
700	9.7	3100	95	85	2.9	1800	95	85	
1300	13.2	3100	95	85	3.3	1800	95	85	
2000	20.3	3100	95	85	3.8	1800	95	85	

Photometrics

15° Distribution

Test Number
 103268734CRT-004
Model
 V6CRSU-0735K-N
Lumens
 1064.4
Efficacy
 110.1
SC
 0.941


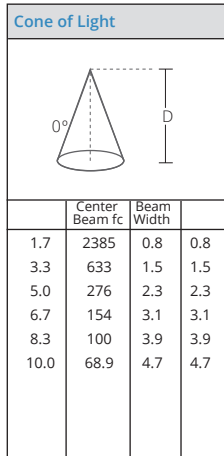
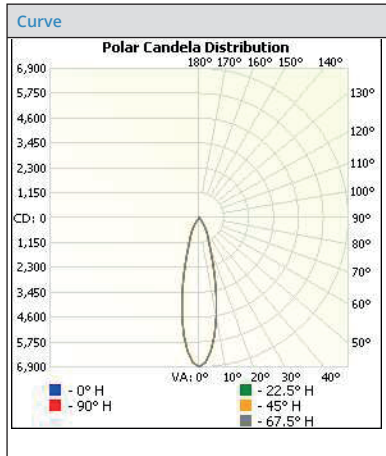



Candela Table	
Degrees Vertical	Candela
0.0	5199
5.0	4494
10.0	2694
15.0	1200
20.0	672
25.0	476
30.0	331
35.0	149
40.0	30
45.0	6
50.0	3
55.0	2
60.0	0
65.0	0
70.0	0
75.0	0
80.0	0
85.0	0
90.0	0

Zonal Lumen Summary		
Zone	Lumens	% Luminaire
0-30	954.4	89.7
0-40	1051.0	98.7
10-60	1064.2	100.0
60-90	0.1	0.0
0-90	1064.4	100.0
90-180	0.0	0.0
0-180	1064.4	100.0

30° Distribution

Test Number
 103268734CRT-003
Model
 V6CRSU-2035K-M
Lumens
 1973.9
Efficacy
 100.8
SC
 0.990

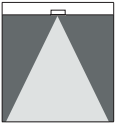
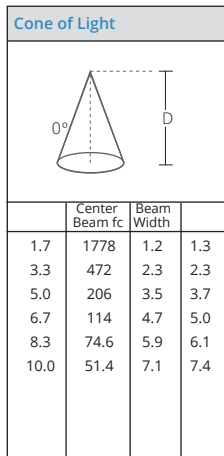
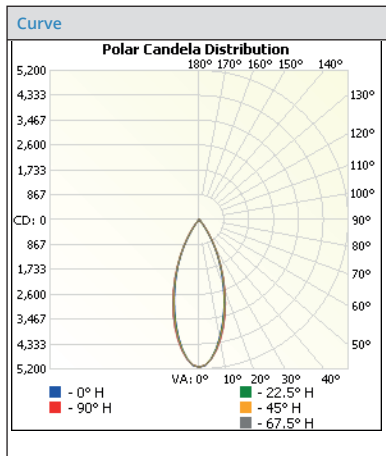



Candela Table	
Degrees Vertical	Candela
0.0	6893
5.0	6183
10.0	4590
15.0	2769
20.0	1477
25.0	939
30.0	606
35.0	273
40.0	75
45.0	23
50.0	12
55.0	5
60.0	0
65.0	0
70.0	0
75.0	0
80.0	0
85.0	0
90.0	0

Zonal Lumen Summary		
Zone	Lumens	% Luminaire
0-30	1747.8	88.5
0-40	1938.1	98.2
10-60	1973.6	100.0
60-90	0.2	0.0
0-90	1973.9	100.0
90-180	0.0	0.0
0-180	1973.9	100.0

45° Distribution

Test Number
 103233437CRT-004
Model
 V6CRSU-3035K-W
Lumens
 2605.2
Efficacy
 94.9
SC
 0.995

Candela Table	
Degrees Vertical	Candela
0.0	3546
5.0	3417
10.0	3152
15.0	2719
20.0	2046
25.0	1394
30.0	798
35.0	260
40.0	75
45.0	27
50.0	9
55.0	1
60.0	0
65.0	0
70.0	0
75.0	0
80.0	0
85.0	0
90.0	0

Zonal Lumen Summary		
Zone	Lumens	% Luminaire
0-30	2181.1	83.7
0-40	2524.6	96.9
10-60	2604.2	100.0
60-90	1.0	0.0
0-90	2605.2	100.0
90-180	0.0	0.0
0-180	2605.2	100.0

CAPELA Lumen Output Multipliers

CRI	MULTIPLIER	KELVIN	MULTIPLIER	FINISH	MULTIPLIER
80	1	4000K	1.036	SCL	1
90	0.82	3500K	1	SGC	0.95
		3000K	0.974	WHT	0.87
		2700K	0.94		