

|             |          |
|-------------|----------|
| Catalog #   | Quantity |
| Project     |          |
| Notes       | Date     |
| Prepared by |          |

# 6" LED/Capela

LED 6" Square Regressed Adjustable Downlight, 700-3000 Lumens



\*New construction frame sold separately

2700K 3000K 3500K 4000K



## Features

### Optics

Soft glow clear, specular clear and white finishes  
Efficient optical design  
15, 30, and 45 degree beam spreads  
Frosted polycarbonate regressed lens

### Controls

0-10V to 1% driver standard  
0-10V to 0.1% &, Lutron, & Triac/Forward phase optional

### Construction

Self-flanged cold-rolled steel housing  
Polyester powder coat  
Torsion springs for maximum ceiling retention  
Standard IC-rated up to 2,000 lumens  
Optional new construction frame with quick connect

### Electrical

High flux CoB array  
80+ CRI standard, 90+ CRI optional  
2700K, 3000K, 3500K, 4000K standard  
High-performance Dim-to-Warm optional  
70% lumen maintenance at 50,000 hours  
Tested according to LM-79 and LM-80 standards  
120 - 277V Universal Input standard

### Listings

ETL certified to UL 1598 and UL 8750 requirements  
Energy Star certified  
Suitable for damp locations; Wet location under covered ceiling;  
Not recommended for outdoor use  
Buy American Act

### Warranty

5-year limited warranty. Complete warranty terms located at:  
<http://vantageltg.com/product-warranty/>

## Ordering Information

EXAMPLE: V6CRSADJ-0730K-S4040-SGC-N-WHT

| Series/Source                                     | Voltage   | Nominal Lumens                                      | Kelvin  | Reflector | Finish            | Distribution | Flange Color | Frame  | Options   |
|---|---|---|---|-----------|-------------------|--------------|--------------|--|---|
| V6CRSADJ<br>6" square,<br>Regressed<br>Adjustable | U - 120V-277V<br>1 - 120 Volts <sup>1</sup><br>3 - 347 Volts <sup>3</sup> | -07 - 700<br>-13 - 1300<br>-20 - 2000<br>-30 - 3000 | 27K - 2700K<br>30K - 3000K<br>35K - 3500K<br>40K - 4000K<br>DTW - Dim-<br>to-Warm | S4040     | SCL<br>SGC<br>WHT | N<br>M<br>W  | WHT<br>BLK   | NCFAQ<br><i>New<br/>Construction<br/>Frame w/<br/>Advanced<br/>QuickConnect<br/>RMDL<br/>Remodeler</i> | DL-2 <sup>2</sup><br>DL-3 <sup>2</sup><br>EM <sup>2</sup><br>HCR<br>LDE1 <sup>2</sup><br>TDM <sup>1</sup><br>XDM <sup>2</sup> |

### Notes

<sup>1</sup>TDM - available only in 120V

<sup>2</sup>Lutron Drivers - please consult factory

<sup>3</sup>Step-down Transformer

### Kelvin Options

DTW - Dimmable  
3000K to 1800K

### Reflector Finish Options

SCL - Specular Clear  
SGC - Soft Glow Clear  
WHT - White Painted

### Distribution Options

N - 15° Distribution  
M - 30° Distribution  
W - 45° Distribution

### Frame

NCFAQ - New Construction Frame w/ Advanced QuickConnect  
RMDL - Remodeler

### Options

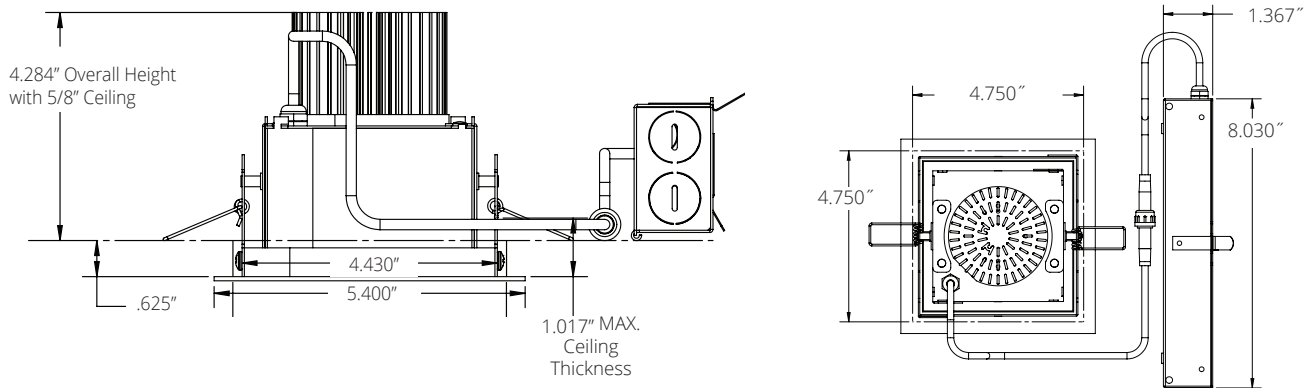
DL-2<sup>2</sup> - Lutron 2 wire HiLume Dimming Driver  
DL-3<sup>2</sup> - Lutron 3 wire HiLume Dimming Driver  
EM<sup>2</sup> - Emergency battery back-up. Remote test button & indicator Light

HCR - 90+ CRI  
LDE1<sup>2</sup> - Lutron EcoSystem Fade-to-Black™  
TDM<sup>1</sup> - Triac Dimming Driver (Forward Phase)  
XDM<sup>2</sup> - 0-10V 0.1% Dimming

Vantage reserves the right to change components, finishes or design details in any manner which does not alter the installed appearance or reduce performance and intended function. | Capela™ is a trademark of Vantage Lighting.

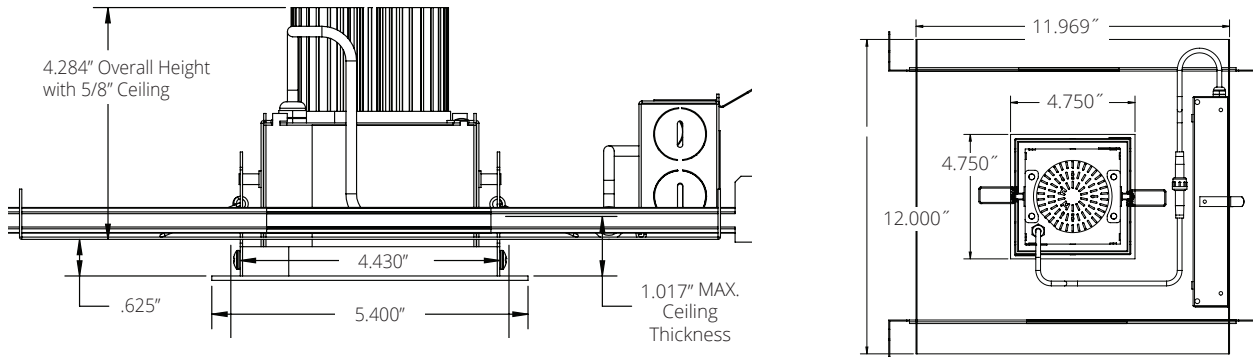
## Dimensional Data: LED 6" Square Regressed Adjustable Downlight

Ceiling Cut Out 4.750x4.750" Square



\*New construction frame sold separately

Ceiling Cut Out 4.750x4.750" Square



### Lumens/Wattage

| Nominal Lumens | Wattage* | CCT   |
|----------------|----------|-------|
| 700            | 7.56     | 3500K |
| 1300           | 12.7     | 3500K |
| 2000           | 19.6     | 3500K |
| 3000           | 27.4     | 3500K |

\*Actual Wattage/Lumens may vary.

### Emergency Lumen Output

| Nominal Lumens | Wattage* | CCT   |
|----------------|----------|-------|
| 300            | 2.5      | 3500K |

\*Actual Wattage/Lumens may vary.


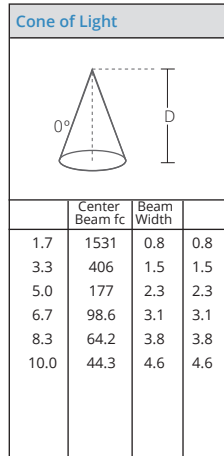
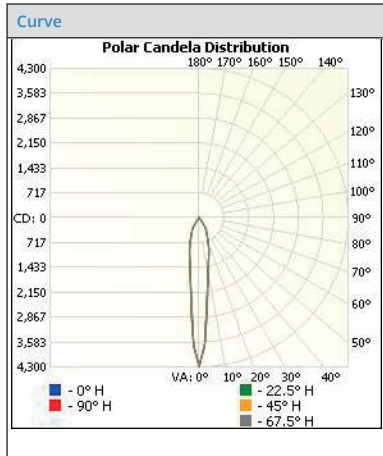
### Dim-to-Warm Performance

| Nominal Lumens | 100%    |      |     |    |         | 1%   |     |    |  |
|----------------|---------|------|-----|----|---------|------|-----|----|--|
|                | Wattage | CCT  | CRI | R9 | Wattage | CCT  | CRI | R9 |  |
| 700            | 9.7     | 3100 | 95  | 85 | 2.9     | 1800 | 95  | 85 |  |
| 1300           | 13.2    | 3100 | 95  | 85 | 3.3     | 1800 | 95  | 85 |  |
| 2000           | 20.3    | 3100 | 95  | 85 | 3.8     | 1800 | 95  | 85 |  |

# Photometrics

## 15° Distribution

**Test Number**  
 103268734CRT-002  
**Model**  
 V4CRSU-1335K-N  
**Lumens**  
 1340.3  
**Efficacy**  
 100.7  
**SC**  
 0.956


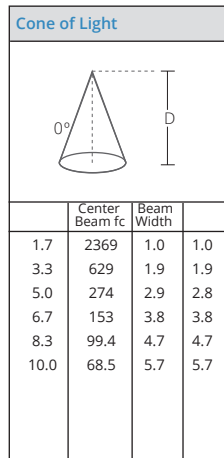
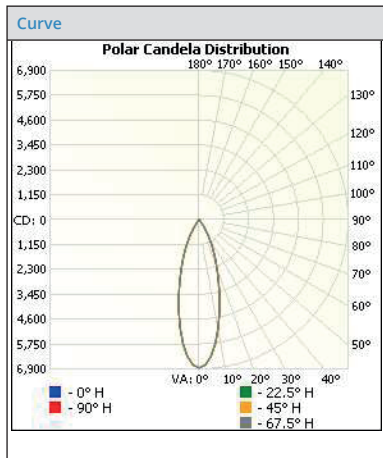



| Degrees Vertical | Candela |
|------------------|---------|
| 0.0              | 4426    |
| 5.0              | 3997    |
| 10.0             | 2882    |
| 15.0             | 1785    |
| 20.0             | 1164    |
| 25.0             | 771     |
| 30.0             | 425     |
| 35.0             | 172     |
| 40.0             | 47      |
| 45.0             | 15      |
| 50.0             | 6       |
| 55.0             | 2       |
| 60.0             | 0       |
| 65.0             | 0       |
| 70.0             | 0       |
| 75.0             | 0       |
| 80.0             | 0       |
| 85.0             | 0       |
| 90.0             | 0       |

| Zone   | Lumens | % Luminaire |
|--------|--------|-------------|
| 0-30   | 1198.1 | 89.4        |
| 0-40   | 1319.1 | 98.4        |
| 10-60  | 1304.3 | 100.0       |
| 60-90  | 0.0    | 0.0         |
| 0-90   | 1340.3 | 100.0       |
| 90-180 | 0.0    | 0.0         |
| 0-180  | 1340.3 | 100.0       |

## 30° Distribution

**Test Number**  
 103268734CRT-001  
**Model**  
 V4CRSU-3035K-M  
**Lumens**  
 2553.6  
**Efficacy**  
 91.9  
**SC**  
 0.995

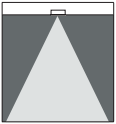
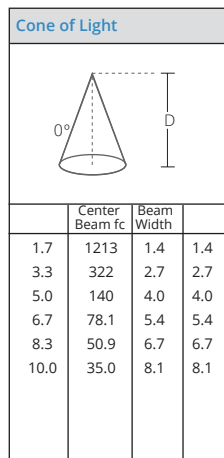
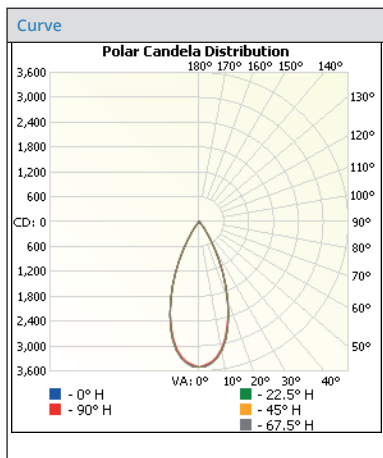



| Degrees Vertical | Candela |
|------------------|---------|
| 0.0              | 6846    |
| 5.0              | 6330    |
| 10.0             | 5078    |
| 15.0             | 3657    |
| 20.0             | 2443    |
| 25.0             | 1536    |
| 30.0             | 837     |
| 35.0             | 356     |
| 40.0             | 100     |
| 45.0             | 38      |
| 50.0             | 18      |
| 55.0             | 6       |
| 60.0             | 0       |
| 65.0             | 0       |
| 70.0             | 0       |
| 75.0             | 0       |
| 80.0             | 0       |
| 85.0             | 0       |
| 90.0             | 0       |

| Zone   | Lumens  | % Luminaire |
|--------|---------|-------------|
| 0-30   | 2262.7  | 88.6        |
| 0-40   | 25,02.7 | 98.0        |
| 10-60  | 2553.4  | 100.0       |
| 60-90  | 0.2     | 0.0         |
| 0-90   | 2553.6  | 100.0       |
| 90-180 | 0.0     | 0.0         |
| 0-180  | 2553.6  | 100.0       |

## 45° Distribution

**Test Number**  
 103233437CRT-003  
**Model**  
 V4CRSU-2035K-W  
**Lumens**  
 1917.6  
**Efficacy**  
 98.2  
**SC**  
 0.992

| Degrees Vertical | Candela |
|------------------|---------|
| 0.0              | 3505    |
| 5.0              | 3426    |
| 10.0             | 3154    |
| 15.0             | 2659    |
| 20.0             | 2009    |
| 25.0             | 1348    |
| 30.0             | 748     |
| 35.0             | 314     |
| 40.0             | 96      |
| 45.0             | 16      |
| 50.0             | 6       |
| 55.0             | 0       |
| 60.0             | 0       |
| 65.0             | 0       |
| 70.0             | 0       |
| 75.0             | 0       |
| 80.0             | 0       |
| 85.0             | 0       |
| 90.0             | 0       |

| Zone   | Lumens | % Luminaire |
|--------|--------|-------------|
| 0-30   | 1651.2 | 86.1        |
| 0-40   | 1866.9 | 97.4        |
| 10-60  | 1917.2 | 100.0       |
| 60-90  | 0.4    | 0.0         |
| 0-90   | 1917.6 | 100.0       |
| 90-180 | 0.0    | 0.0         |
| 0-180  | 1917.6 | 100.0       |

### CAPELA Lumen Output Multipliers

| CRI | MULTIPLIER | KELVIN | MULTIPLIER | FINISH | MULTIPLIER |
|-----|------------|--------|------------|--------|------------|
| 80  | 1          | 4000K  | 1.036      | SCL    | 1          |
| 90  | 0.82       | 3500K  | 1          | SGC    | 0.95       |
|     |            | 3000K  | 0.974      | WHT    | 0.87       |
|     |            | 2700K  | 0.94       |        |            |