

Catalog #	Quantity
Project	
Notes	Date
Prepared by	

6" LED/Capela

LED 6" Regressed Lens Downlight, 700-3000 Lumens



*New construction frame sold separately

2700K 3000K 3500K 4000K



Features

Optics

Soft glow clear, specular clear and white finishes
Efficient optical design
15, 30, and 45 degree beam spreads
Frosted polycarbonate regressed lens

Controls

0-10V to 1% driver standard
0-10V to 0.1% &, Lutron, & Triac/Forward phase optional

Construction

Self-flanged cold-rolled steel housing
Polyester powder coat
Torsion springs for maximum ceiling retention
Standard IC-rated up to 2,000 lumens
Optional new construction frame with quick connect

Electrical

High flux CoB array
80+ CRI standard, 90+ CRI optional
2700K, 3000K, 3500K, 4000K standard
High-performance Dim-to-Warm optional
70% lumen maintenance at 50,000 hours
Tested according to LM-79 and LM-80 standards
120 – 277V Universal Input standard

Listings

ETL certified to UL 1598 and UL 8750 requirements
Energy Star certified
Suitable for damp locations; Wet location under covered ceiling;
Not recommended for outdoor use
Buy American Act

Warranty

5-year limited warranty. Complete warranty terms located at:
<http://vantageltg.com/product-warranty/>

Ordering Information

EXAMPLE: V6CRRU-2030K-L6040-SGC-W-WHT

Series/Source	Voltage	Nominal Lumens	Kelvin	Reflector	Finish	Distribution	Flange Color	Frame	Options
V6CRR 6" round, Regressed	U - 120V-277V 1 - 120 Volts ¹ 3 - 347 Volts ³	-07 - 700 -13 - 1300 -20 - 2000 -30 - 3000	27K - 2700K 30K - 3000K 35K - 3500K 40K - 4000K DTW - Dim- to-Warm	L6040	SCL SGC WHT	N M W	WHT BLK	NCFAQ <i>New Construction Frame w/ Advanced QuickConnect RMDL Remodeler</i>	DL-2 ² DL-3 ² EM ² HCR LDE1 ² TDM ¹ XDM ²

Options in purple qualify for the Velocity Same Day program up to 100 pieces (up to 30 in EM). Refer to Velocity Guide for complete details.

Notes
¹TDM - available only in 120V
²Lutron Drivers - please consult factory
³Step-down Transformer

Kelvin Options
DTW - Dimmable
3000K to 1800K

Reflector Finish Options
SCL - Specular Clear
SGC - Soft Glow Clear
WHT - White Painted

Distribution Options
N - 15°
M - 30°
W - 45°
Distribution

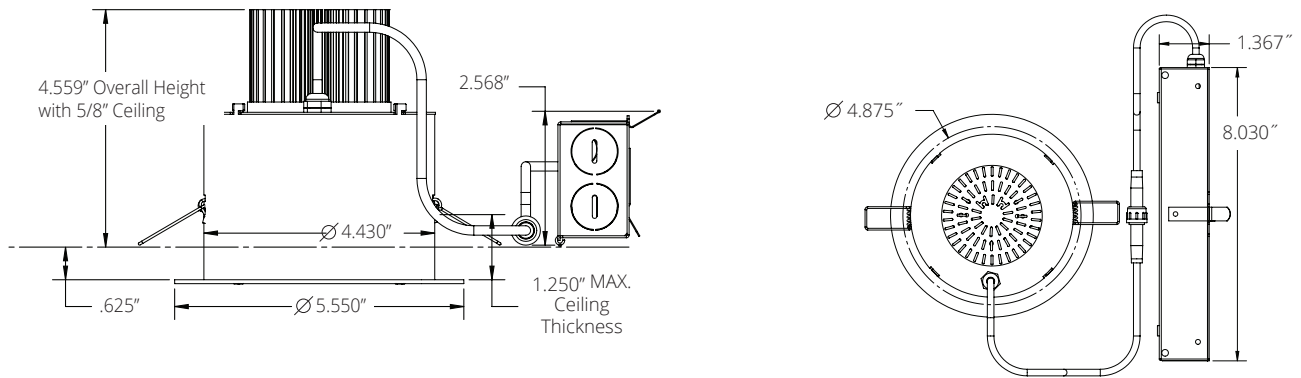
Frame
NCFAQ - New Construction Frame w/ Advanced QuickConnect
RMDL - Remodeler

Options
DL-2² - Lutron
DL-3² - Lutron
2 wire HiLume Dimming Driver
EM² - Emergency battery back-up.
Remote test button & indicator Light
EcoSystem
Fade-to-Black™
TDM¹ - Triac Dimming Driver (Forward Phase)
XDM² - 0-10V 0.1% Dimming

Vantage reserves the right to change components, finishes or design details in any manner which does not alter the installed appearance or reduce performance and intended function. | Capela™ is a trademark of Vantage Lighting.

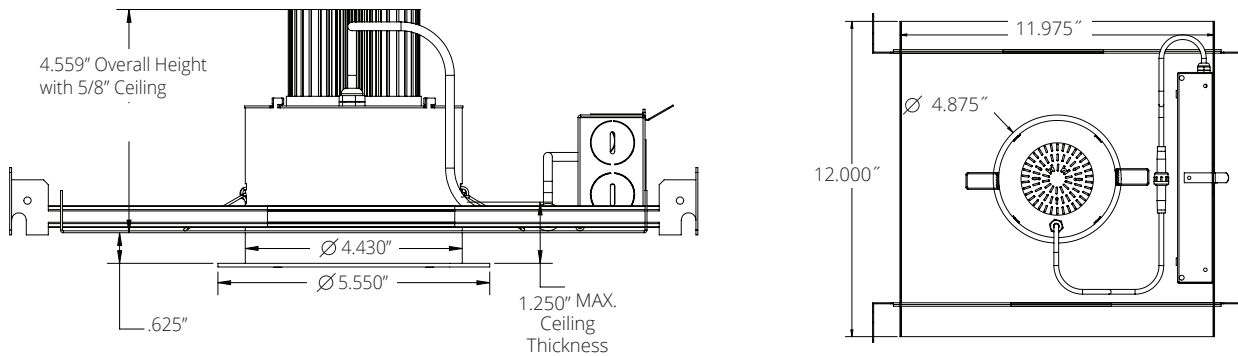
Dimensional Data: LED 6" Regressed Lens Downlight

Ceiling Cut Out 4.875"



*New construction frame sold separately

Ceiling Cut Out 4.875"



Lumens/Wattage

Nominal Lumens	Wattage*	CCT
700	7.56	3500K
1300	12.7	3500K
2000	19.6	3500K
3000	27.4	3500K

*Actual Wattage/Lumens may vary.

Emergency Lumen Output

Nominal Lumens	Wattage*	CCT
300	2.5	3500K

*Actual Wattage/Lumens may vary.


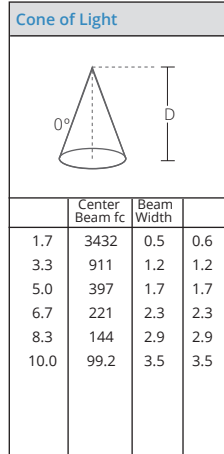
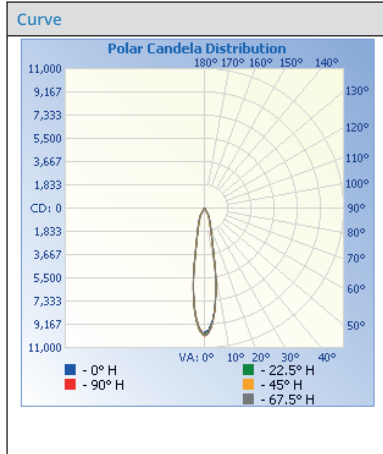
Dim-to-Warm Performance

Nominal Lumens	Wattage	100%			1%			
		CCT	CRI	R9	Wattage	CCT	CRI	R9
700	9.7	3100	95	85	2.9	1800	95	85
1300	13.2	3100	95	85	3.3	1800	95	85
2000	20.3	3100	95	85	3.8	1800	95	85

Photometrics

15° Distribution

Test Number
 PHM-RPT-171026-D03
Model
 V6CRRU-2035K-N
Lumens
 2021.15
Efficacy
 97.78
SC
 0.9946


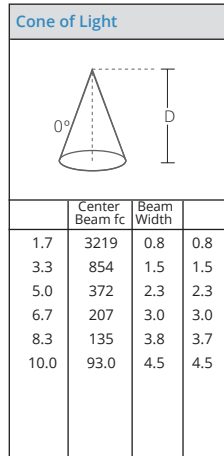
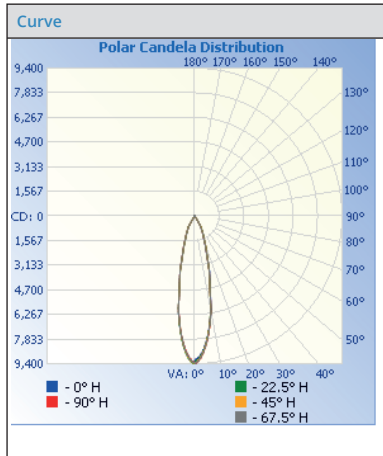



Degrees Vertical	Candela
0.0	9919
5.0	8416
10.0	4901
15.0	2161
20.0	1328
25.0	865
30.0	550
35.0	73
40.0	32
45.0	24
50.0	18
55	12
60.0	11
65.0	10
70.0	9
75.0	9
80.0	10
85.0	10
90.0	9

Zone	Lumens	% Luminaire
0-30	1780.2	88.1
0-40	1903.3	94.2
10-60	1927.2	95.8
60-90	28.6	1.4
0-90	1965.7	97.3
90-180	0.0	0.0
0-180	2021.2	100.0

30° Distribution

Test Number
 PHM-RPT-171026-D02
Model
 V6CRRU-3035K-M
Lumens
 1953.5
Efficacy
 97.7
SC
 0.993

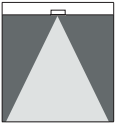
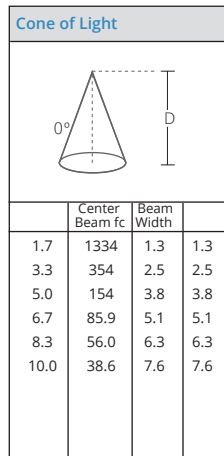
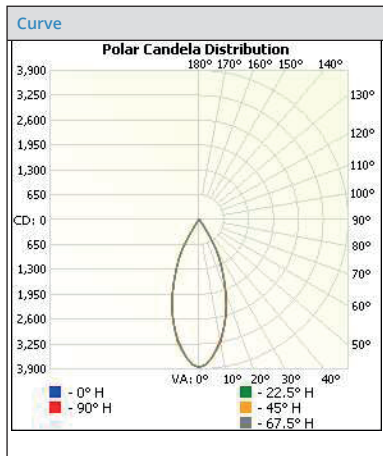



Degrees Vertical	Candela
0.0	9302
5.0	8152
10.0	5982
15.0	3624
20.0	1988
25.0	1239
30.0	734
35.0	117
40.0	54
45.0	38
50.0	30
55.0	19
60.0	15
65.0	14
70.0	13
75.0	14
80.0	12
85.0	13
90.0	12

Zone	Lumens	% Luminaire
0-30	2304.5	86.9
0-40	2476.5	93.4
10-60	2528.5	95.4
60-90	1.5	1.6
0-90	2570.0	96.9
90-180	0.0	0.0
0-180	2651.2	100.0

45° Distribution

Test Number
 103233437CART-014
Model
 V6CRRU-2035K-W
Lumens
 1953.5
Efficacy
 97.7
SC
 0.993

Degrees Vertical	Candela
0.0	3856
5.0	3614
10.0	3232
15.0	2650
20.0	2040
25.0	1403
30.0	863
35.0	231
40.0	82
45.0	39
50.0	18
55.0	6
60.0	0
65.0	0
70.0	0
75.0	0
80.0	0
85.0	0
90.0	0

Zone	Lumens	% Luminaire
0-30	1712.6	87.7
0-40	1915.1	98.0
10-60	1953.5	100.0
60-90	0.0	0.0
0-90	1953.5	100.0
90-180	0.0	0.0
0-180	1953.5	100.0

CAPELA Lumen Output Multipliers

CRI	MULTIPLIER	KELVIN	MULTIPLIER	FINISH	MULTIPLIER
80	1	4000K	1.036	SCL	1
90	0.82	3500K	1	SGC	0.95
		3000K	0.974	WHT	0.87
		2700K	0.94		