

Catalog #	Quantity
Project	
Notes	Date
Prepared by	



\*New construction frame sold separately

# 6" LED/Capela

LED 6" Regressed Lens Micro Flange Downlight, 700-3000 Lumens

2700K 3000K 3500K 4000K



## Features

### Optics

Soft glow clear, specular clear and white finishes  
Efficient optical design  
15, 30, and 45 degree beam spreads  
Frosted polycarbonate regressed lens

### Controls

0-10V to 1% driver standard  
0-10V to 0.1% &, Lutron, & Triac/Forward phase optional

### Construction

Self-flanged or micro-flanged cold-rolled steel housing  
Polyester powder coat  
Torsion springs for maximum ceiling retention  
Standard IC-rated up to 2,000 lumens  
Optional new construction frame with quick connect

### Electrical

High flux CoB array  
80+ CRI standard, 90+ CRI optional  
2700K, 3000K, 3500K, 4000K standard  
High-performance Dim-to-Warm optional  
70% lumen maintenance at 50,000 hours  
Tested according to LM-79 and LM-80 standards  
120 – 277V Universal Input standard

### Listings

ETL certified to UL 1598 and UL 8750 requirements  
Energy Star certified  
Suitable for damp locations; Wet location under covered ceiling;  
Not recommended for outdoor use  
Buy American Act

### Warranty

5-year limited warranty. Complete warranty terms located at:  
<http://vantageltg.com/product-warranty/>

## Ordering Information

EXAMPLE: V6CRRM-3030K-L6040-SGC-M-WHT

Series/Source	Voltage	Nominal Lumens	Kelvin	Reflector	Finish	Distribution	Flange Color	Frame	Options
V6CRRM 6" round, Regressed Micro Flange	U - 120V-277V 1 - 120 Volts <sup>1</sup> 3 - 347 Volts <sup>3</sup>	-07 - 700 -13 - 1300 -20 - 2000 -30 - 3000	27K - 2700K 30K - 3000K 35K - 3500K 40K - 4000K DTW - Dim- to-Warm	L6040	SCL SGC WHT	N M W	WHT BLK	NCFAQ <i>New Construction Frame w/ Advanced QuickConnect RMDL Remodeler</i>	DL-2 <sup>2</sup> DL-3 <sup>2</sup> EM <sup>2</sup> HCR LDE1 <sup>2</sup> TDM <sup>1</sup> XDM <sup>2</sup>

### Notes

<sup>1</sup>TDM - available only in 120V

<sup>2</sup>Lutron Drivers - please consult factory

<sup>3</sup>Step-down Transformer

### Kelvin Options

DTW - Dimmable  
3000K to 1800K

### Reflector Finish Options

SCL - Specular Clear  
SGC - Soft Glow Clear  
WHT - White Painted

### Distribution Options

N - 15° Distribution  
M - 30° Distribution  
W - 45° Distribution

### Frame

NCFAQ - New Construction Frame w/ Advanced QuickConnect  
RMDL - Remodeler

### Options

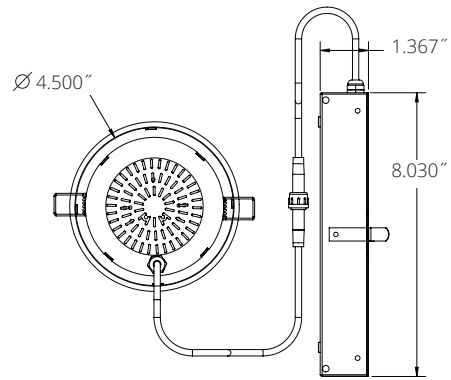
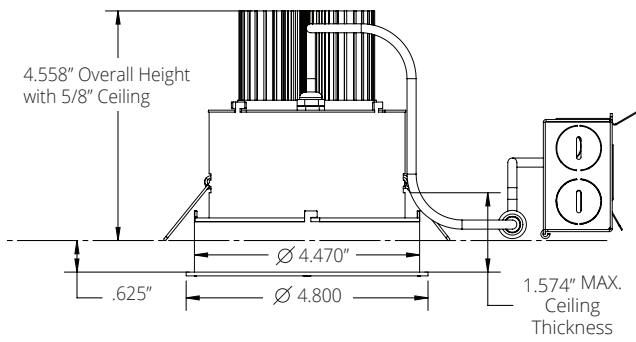
DL-2<sup>2</sup> - Lutron 2 wire HiLume Dimming Driver  
DL-3<sup>2</sup> - Lutron 3 wire HiLume Dimming Driver  
EM<sup>2</sup> - Emergency battery back-up. Remote test button & indicator Light

HCR - 90+ CRI  
LDE1<sup>2</sup> - Lutron EcoSystem Fade-to-Black™  
TDM<sup>1</sup> - Triac Dimming Driver (Forward Phase)  
XDM<sup>2</sup> - 0-10V 0.1% Dimming

Vantage reserves the right to change components, finishes or design details in any manner which does not alter the installed appearance or reduce performance and intended function. | Capela™ is a trademark of Vantage Lighting.

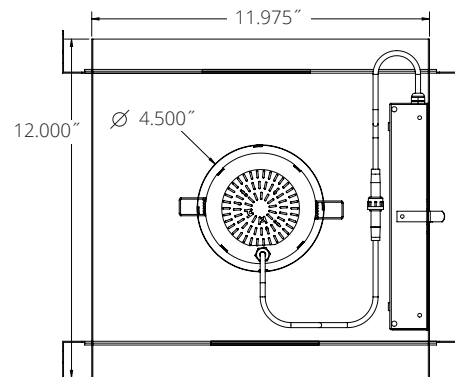
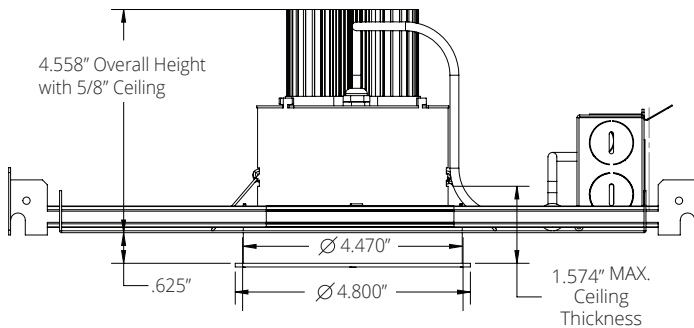
# Dimensional Data: LED 6" Regressed Lens Micro Flange Downlight

Ceiling Cut Out 4.500"



\*New construction frame sold separately

Ceiling Cut Out 4.500"



## Lumens/Wattage

Nominal Lumens	Wattage*	CCT
700	7.56	3500K
1300	12.7	3500K
2000	19.6	3500K
3000	27.4	3500K

*\*Actual Wattage/Lumens may vary.*

## Emergency Lumen Output

Nominal Lumens	Wattage*	CCT
300	2.5	3500K

*\*Actual Wattage/Lumens may vary.*


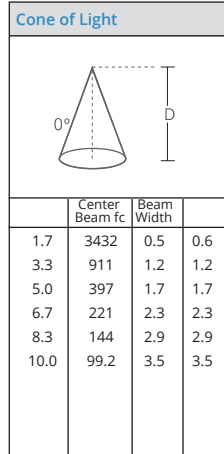
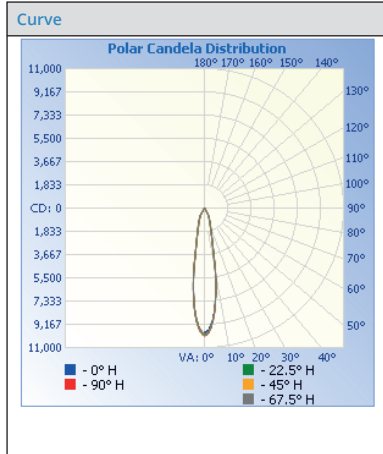
## Dim-to-Warm Performance

Nominal Lumens	Wattage	100%			1%			
		CCT	CRI	R9	Wattage	CCT	CRI	R9
700	9.7	3100	95	85	2.9	1800	95	85
1300	13.2	3100	95	85	3.3	1800	95	85
2000	20.3	3100	95	85	3.8	1800	95	85

# Photometrics

## 15° Distribution

**Test Number**  
 PHM-RPT-171026-D03  
**Model**  
 V6CRRU-2035K-N  
**Lumens**  
 2021.15  
**Efficacy**  
 97.78  
**SC**  
 0.9946


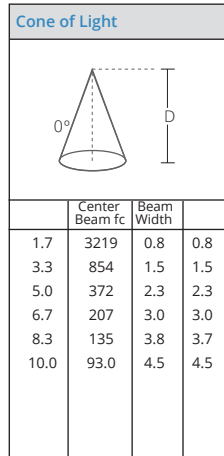
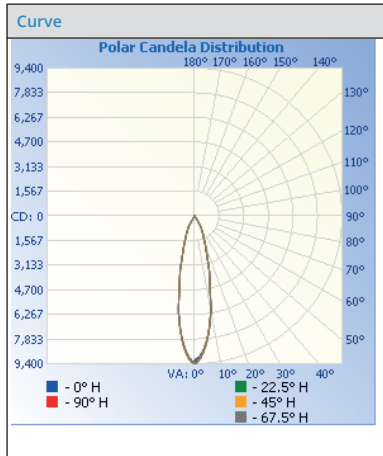



Degrees Vertical	Candela
0.0	9919
5.0	8416
10.0	4901
15.0	2161
20.0	1328
25.0	865
30.0	550
35.0	73
40.0	32
45.0	24
50.0	18
55	12
60.0	11
65.0	10
70.0	9
75.0	9
80.0	10
85.0	10
90.0	9

Zone	Lumens	% Luminaire
0-30	1780.2	88.1
0-40	1903.3	94.2
10-60	1927.2	95.8
60-90	28.6	1.4
0-90	1965.7	97.3
90-180	0.0	0.0
0-180	2021.2	100.0

## 30° Distribution

**Test Number**  
 PHM-RPT-171026-D02  
**Model**  
 V6CRRU-3035K-M  
**Lumens**  
 1953.5  
**Efficacy**  
 97.7  
**SC**  
 0.993

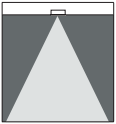
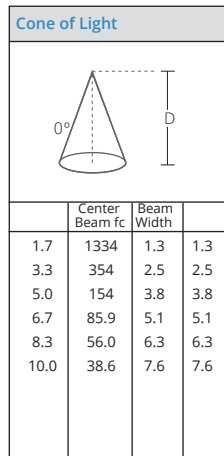
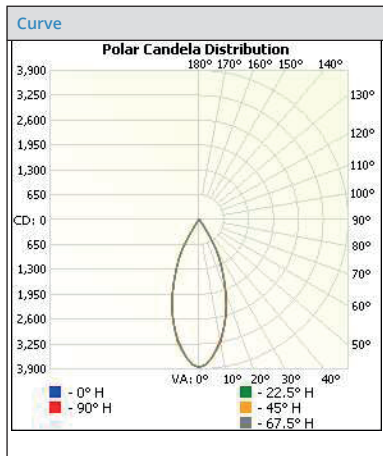



Degrees Vertical	Candela
0.0	9302
5.0	8152
10.0	5982
15.0	3624
20.0	1988
25.0	1239
30.0	734
35.0	117
40.0	54
45.0	38
50.0	30
55.0	19
60.0	15
65.0	14
70.0	13
75.0	14
80.0	12
85.0	13
90.0	12

Zone	Lumens	% Luminaire
0-30	2304.5	86.9
0-40	2476.5	93.4
10-60	2528.5	95.4
60-90	1.5	1.6
0-90	2570.0	96.9
90-180	0.0	0.0
0-180	2651.2	100.0

## 45° Distribution

**Test Number**  
 103233437CART-014  
**Model**  
 V6CRRU-2035K-W  
**Lumens**  
 1953.5  
**Efficacy**  
 97.7  
**SC**  
 0.993

Degrees Vertical	Candela
0.0	3856
5.0	3614
10.0	3232
15.0	2650
20.0	2040
25.0	1403
30.0	863
35.0	231
40.0	82
45.0	39
50.0	18
55.0	6
60.0	0
65.0	0
70.0	0
75.0	0
80.0	0
85.0	0
90.0	0

Zone	Lumens	% Luminaire
0-30	1712.6	87.7
0-40	1915.1	98.0
10-60	1953.5	100.0
60-90	0.0	0.0
0-90	1953.5	100.0
90-180	0.0	0.0
0-180	1953.5	100.0

### CAPELA Lumen Output Multipliers

CRI	MULTIPLIER	KELVIN	MULTIPLIER	FINISH	MULTIPLIER
80	1	4000K	1.036	SCL	1
90	0.82	3500K	1	SGC	0.95
		3000K	0.974	WHT	0.87
		2700K	0.94		