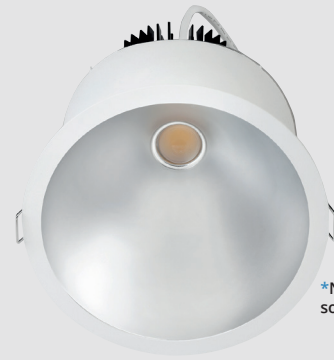


Catalog #	Quantity
Project	
Notes	Date
Prepared by	

6" LED/Capela

LED 6" Open Micro Flange Downlight, 700-3000 Lumens



*New construction frame sold separately

2700K 3000K 3500K 4000K



Features

Optics

Soft glow clear, specular clear and white finishes
Efficient optical design
15, 30, and 45 degree beam spreads

Controls

0-10V to 1% driver standard
0-10V to 0.1% &, Lutron, & Triac/Forward phase optional

Construction

Self-flanged or micro-flanged cold-rolled steel housing
Polyester powder coat
Torsion springs for maximum ceiling retention
Standard IC-rated up to 2,000 lumens
Optional new construction frame with quick connect

Electrical

High flux CoB array
80+ CRI standard, 90+ CRI optional
2700K, 3000K, 3500K, 4000K standard
High-performance Dim-to-Warm optional
70% lumen maintenance at 50,000 hours
Tested according to LM-79 and LM-80 standards
120 – 277V Universal Input standard

Listings

ETL certified to UL 1598 and UL 8750 requirements
Energy Star certified
Suitable for damp locations; Wet location under covered ceiling;
Not recommended for outdoor use
Buy American Act

Warranty

5-year limited warranty. Complete warranty terms located at:
<http://vantageltg.com/product-warranty/>

Ordering Information

EXAMPLE: V6CORM-3030K-L6070-SGC-W-WHT

Series/Source	Voltage	Nominal Lumens	Kelvin	Reflector	Finish	Distribution	Flange Color	Frame	Options
V6CORM 6" round, Open Micro Flange	U - 120V-277V 1 - 120 Volts ¹ 3 - 347 Volts ³	-07 - 700 -13 - 1300 -20 - 2000 -30 - 3000	27K - 2700K 30K - 3000K 35K - 3500K 40K - 4000K DTW - Dim- to-Warm	L6070	SCL SGC WHT	N M W	WHT BLK	NCFAQ <i>New Construction Frame w/ Advanced QuickConnect RMDL Remodeler</i>	DL-2 ² DL-3 ² EM ² HCR LDE1 ² TDM ¹ XDM ²

Notes

¹TDM - available only in 120V
²Lutron Drivers - please consult factory
³Step-down Transformer

Kelvin Options

DTW - Dimmable
3000K to 1800K

Reflector Finish Options

SCL - Specular Clear
SGC - Soft Glow Clear
WHT - White Painted

Distribution Options

N - 15° Distribution
M - 30° Distribution
W - 45° Distribution

Frame

NCFAQ - New Construction Frame w/ Advanced QuickConnect
RMDL - Remodeler

Options

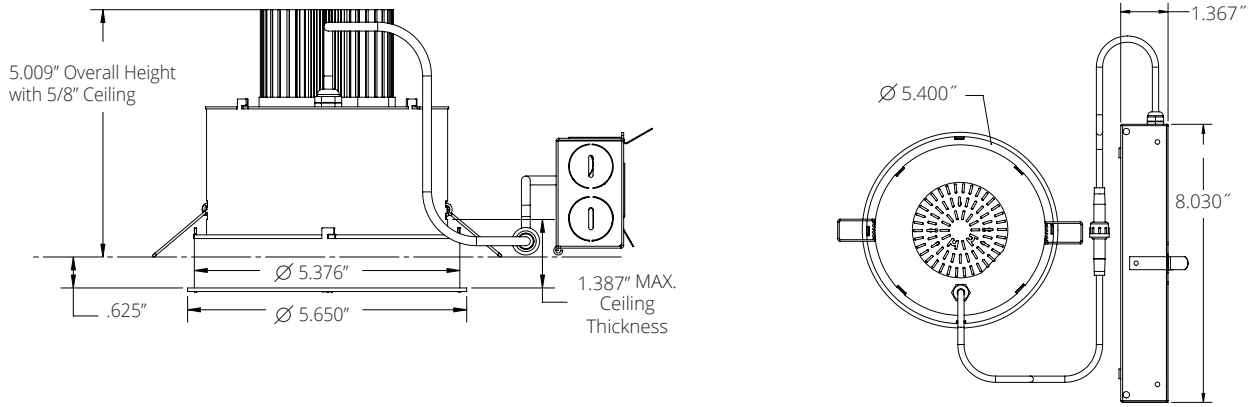
DL-2² - Lutron 2 wire HiLume Dimming Driver
DL-3² - Lutron 3 wire HiLume Dimming Driver
EM² - Emergency battery back-up. Remote test button & indicator Light

HCR - 90+ CRI
LDE1² - Lutron EcoSystem Fade-to-Black™
TDM¹ - Triac Dimming Driver (Forward Phase)
XDM² - 0-10V 0.1% Dimming

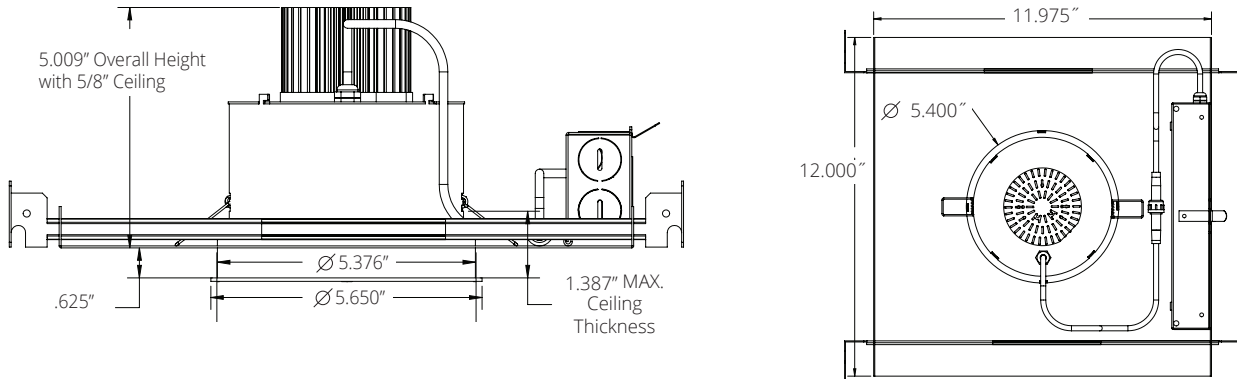
Vantage reserves the right to change components, finishes or design details in any manner which does not alter the installed appearance or reduce performance and intended function. | Capela™ is a trademark of Vantage Lighting.

Dimensional Data: LED 6" Open Micro Flange Downlight

Ceiling Cut Out 5.400"



Ceiling Cut Out 5.400"



Lumens/Wattage

Nominal Lumens	Wattage*	CCT
700	7.56	3500K
1300	12.7	3500K
2000	19.6	3500K
3000	27.4	3500K

**Actual Wattage/Lumens may vary.*

Emergency Lumen Output

Nominal Lumens	Wattage*	CCT
300	2.5	3500K

**Actual Wattage/Lumens may vary.*


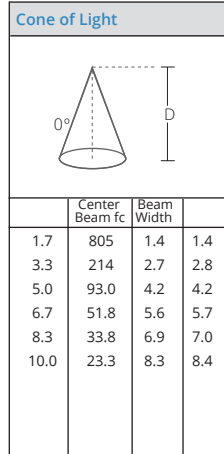
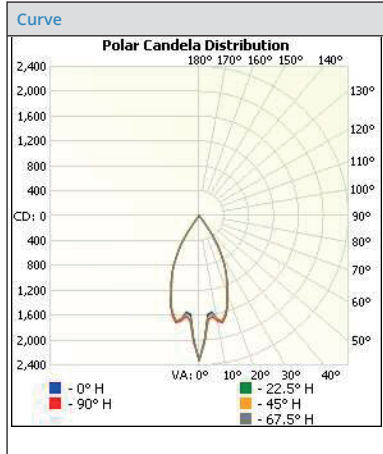
Dim-to-Warm Performance

Nominal Lumens	Wattage	100%			1%			
		CCT	CRI	R9	Wattage	CCT	CRI	R9
700	9.7	3100	95	85	2.9	1800	95	85
1300	13.2	3100	95	85	3.3	1800	95	85
2000	20.3	3100	95	85	3.8	1800	95	85

Photometrics

15° Distribution

Test Number
 103268734CRT-011
Model
 V6CORU-1335K-N
Lumens
 1283.8
Efficacy
 97.0
SC
 0.953


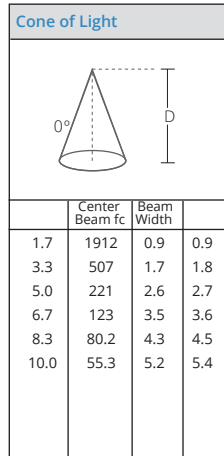
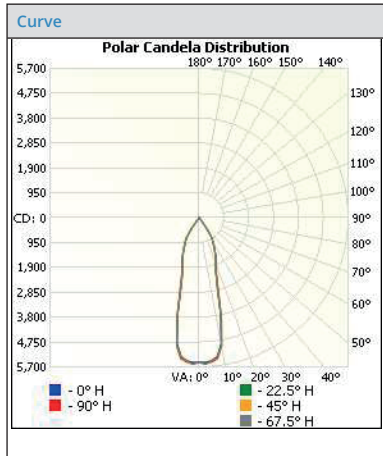



Degrees Vertical	Candela
0.0	2326
5.0	1591
10.0	1681
15.0	1626
20.0	1312
25.0	1042
30.0	700
35.0	327
40.0	32
45.0	1
50.0	8
55.0	3
60.0	1
65.0	1
70.0	1
75.0	0
80.0	0
85.0	0
90.0	0

Zone	Lumens	% Luminaire
0-30	1071.2	83.4
0-40	1273.7	99.2
10-60	1282.8	99.9
60-90	1.0	0.1
0-90	1283.8	100.0
90-180	0.0	0.0
0-180	1283.8	100.0

30° Distribution

Test Number
 103268734CRT-010
Model
 V6CORU-3035K-M
Lumens
 2301.9
Efficacy
 82.5
SC
 0.992


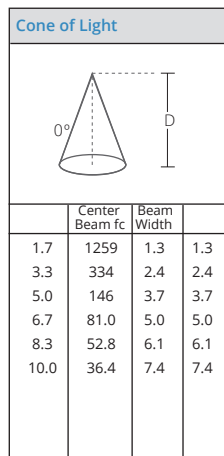
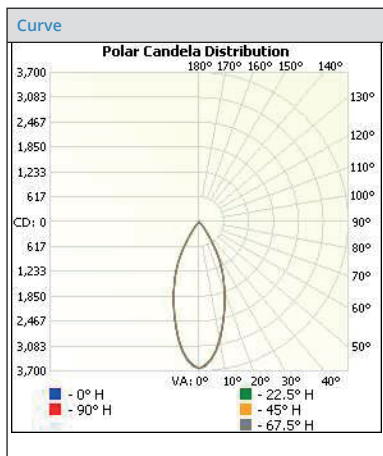



Degrees Vertical	Candela
0.0	5526
5.0	5378
10.0	4878
15.0	2624
20.0	1856
25.0	1454
30.0	1057
35.0	497
40.0	49
45.0	0
50.0	0
55.0	0
60.0	0
65.0	0
70.0	0
75.0	0
80.0	0
85.0	0
90.0	0

Zone	Lumens	% Luminaire
0-30	1968.7	85.5
0-40	2295.3	99.7
10-60	2301.9	100.0
60-90	0.0	0.0
0-90	2301.9	100.0
90-180	0.0	0.0
0-180	2301.9	100.0

45° Distribution

Test Number
 103268734CRT-009
Model
 V6CORU-2035K-W
Lumens
 1872.5
Efficacy
 94.2
SC
 0.992

Degrees Vertical	Candela
0.0	3638
5.0	3410
10.0	2950
15.0	2383
20.0	1849
25.0	1372
30.0	874
35.0	383
40.0	151
45.0	15
50.0	0
55.0	0
60.0	0
65.0	0
70.0	0
75.0	0
80.0	0
85.0	0
90.0	0

Zone	Lumens	% Luminaire
0-30	1583.3	84.6
0-40	1840.5	98.3
0-60	1872.5	100.0
60-90	0.0	0.0
0-90	1872.5	100.0
90-180	0.0	0.0
0-180	1872.5	100.0

CAPELA Lumen Output Multipliers

CRI	MULTIPLIER	KELVIN	MULTIPLIER	FINISH	MULTIPLIER
80	1	4000K	1.036	SCL	1
90	0.82	3500K	1	SGC	0.95
		3000K	0.974	WHT	0.87
		2700K	0.94		