

Catalog #	Quantity
Project	
Notes	Date
Prepared by	

# 6" LED/Capela

LED 6" Open Adjustable Downlight, 700-3000 Lumens



\*New construction frame sold separately

2700K 3000K 3500K 4000K



## Features

### Optics

Soft glow clear, specular clear and white finishes  
Efficient optical design  
15, 30, and 45 degree beam spreads

### Controls

0-10V to 1% driver standard  
0-10V to 0.1% &, Lutron, & Triac/Forward phase optional

### Construction

Self-flanged cold-rolled steel housing  
Polyester powder coat  
Torsion springs for maximum ceiling retention  
Standard IC-rated up to 2,000 lumens  
Optional new construction frame with quick connect

### Electrical

High flux CoB array  
80+ CRI standard, 90+ CRI optional  
2700K, 3000K, 3500K, 4000K standard  
High-performance Dim-to-Warm optional  
70% lumen maintenance at 50,000 hours  
Tested according to LM-79 and LM-80 standards  
120 – 277V Universal Input standard

### Listings

ETL certified to UL 1598 and UL 8750 requirements  
Energy Star certified  
Suitable for damp locations; Wet location under covered ceiling;  
Not recommended for outdoor use  
Buy American Act

### Warranty

5-year limited warranty. Complete warranty terms located at:  
<http://vantageltg.com/product-warranty/>

## Ordering Information

EXAMPLE: V6CORADJ-2030K-L4070-SGC-N-WHT

Series/Source	Voltage	Nominal Lumens	Kelvin	Reflector	Finish	Distribution	Flange Color	Frame	Options
V6CORADJ 6" round, Open Adjustable	U - 120V-277V 1 - 120 Volts <sup>1</sup> 3 - 347 Volts <sup>3</sup>	-07 - 700 -13 - 1300 -20 - 2000 -30 - 3000	27K - 2700K 30K - 3000K 35K - 3500K 40K - 4000K DTW - Dim- to-Warm	L4070	SCL SGC WHT	N M W	WHT BLK	NCFQAQ <i>New Construction Frame w/ Advanced QuickConnect RMDL Remodeler</i>	DL-2 <sup>2</sup> DL-3 <sup>2</sup> EM <sup>2</sup> HCR LDE1 <sup>2</sup> TDM <sup>1</sup> XDM <sup>2</sup>

### Notes

<sup>1</sup>TDM - available only in 120V  
<sup>2</sup>Lutron Drivers - please consult factory  
<sup>3</sup>Step-down Transformer

### Kelvin Options

DTW - Dimmable  
3000K to 1800K

### Reflector Finish Options

SCL - Specular Clear  
SGC - Soft Glow Clear  
WHT - White Painted

### Distribution Options

N - 15° Distribution  
M - 30° Distribution  
W - 45° Distribution

### Frame

NCFQAQ - New Construction Frame w/ Advanced QuickConnect  
RMDL - Remodeler

### Options

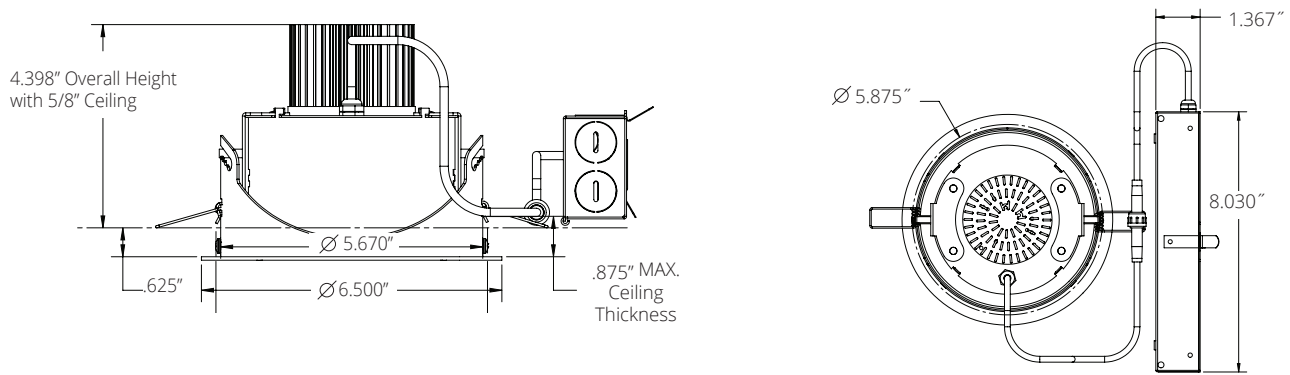
DL-2<sup>2</sup> - Lutron 2 wire HiLume Dimming Driver  
DL-3<sup>2</sup> - Lutron 3 wire HiLume Dimming Driver  
EM<sup>2</sup> - Emergency battery back-up. Remote test button & indicator Light

HCR - 90+ CRI  
LDE1<sup>2</sup> - Lutron EcoSystem Fade-to-Black™  
TDM<sup>1</sup> - Triac Dimming Driver (Forward Phase)  
XDM<sup>2</sup> - 0-10V 0.1% Dimming

Vantage reserves the right to change components, finishes or design details in any manner which does not alter the installed appearance or reduce performance and intended function. | Capela™ is a trademark of Vantage Lighting.

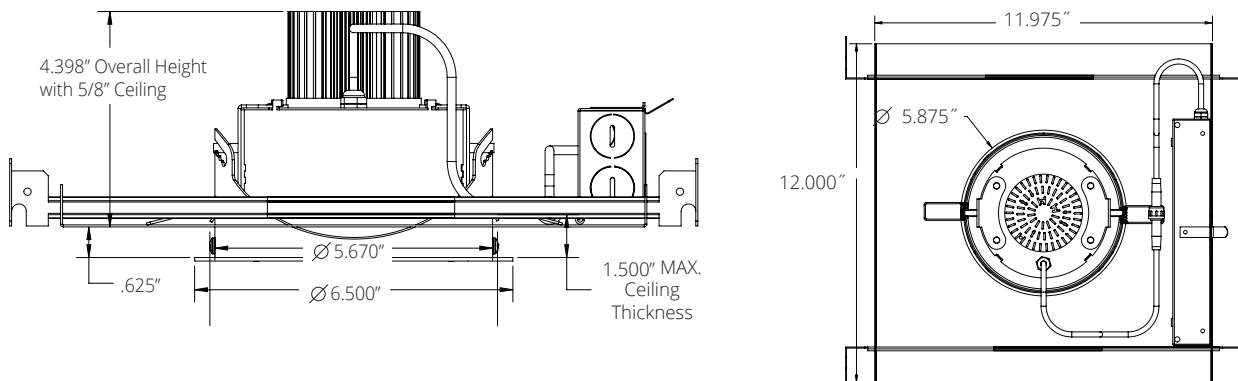
## Dimensional Data: LED 6" Open Adjustable Downlight

Ceiling Cut Out 5.875"



\*New construction frame sold separately

Ceiling Cut Out 5.875"



### Lumens/Wattage

Nominal Lumens	Wattage*	CCT
700	7.56	3500K
1300	12.7	3500K
2000	19.6	3500K
3000	27.4	3500K

*\*Actual Wattage/Lumens may vary.*

### Emergency Lumen Output

Nominal Lumens	Wattage*	CCT
300	2.5	3500K

*\*Actual Wattage/Lumens may vary.*


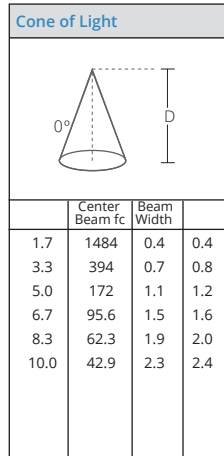
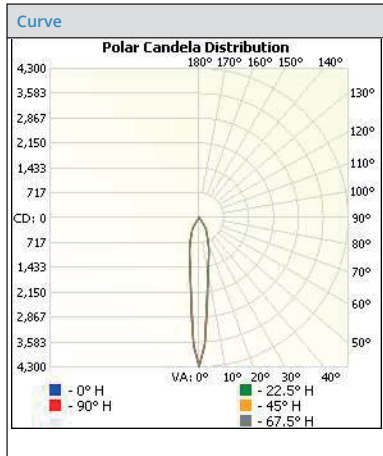
### Dim-to-Warm Performance

Nominal Lumens	Wattage	100%			1%			
		CCT	CRI	R9	Wattage	CCT	CRI	R9
700	9.7	3100	95	85	2.9	1800	95	85
1300	13.2	3100	95	85	3.3	1800	95	85
2000	20.3	3100	95	85	3.8	1800	95	85

# Photometrics

## 15° Distribution

**Test Number**  
 103268734CRT-007  
**Model**  
 V4CORU-0735K-N  
**Lumens**  
 888.7  
**Efficacy**  
 95.5  
**SC**  
 0.936


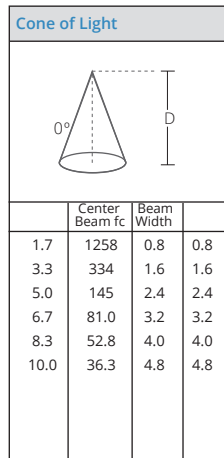
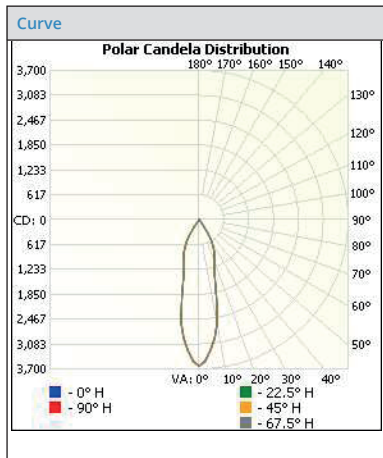



Degrees Vertical	Candela
0.0	4290
5.0	2511
10.0	1478
15.0	1083
20.0	768
25.0	523
30.0	410
35.0	142
40.0	24
45.0	5
50.0	4
55.0	8
60.0	8
65.0	5
70.0	4
75.0	2
80.0	1
85.0	0
90.0	0

Zonal Lumen Summary		
Zone	Lumens	% Luminaire
0-30	763.2	85.9
0-40	868.1	97.7
10-60	880.2	99.0
60-90	8.5	1.0
0-90	888.7	100.0
90-180	0.0	0.0
0-180	888.7	100.0

## 30° Distribution

**Test Number**  
 103268734CRT-006  
**Model**  
 V4CORU-1335K-M  
**Lumens**  
 1298.7  
**Efficacy**  
 97.3  
**SC**  
 0.963

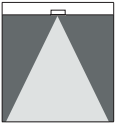
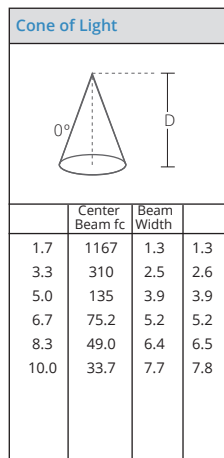
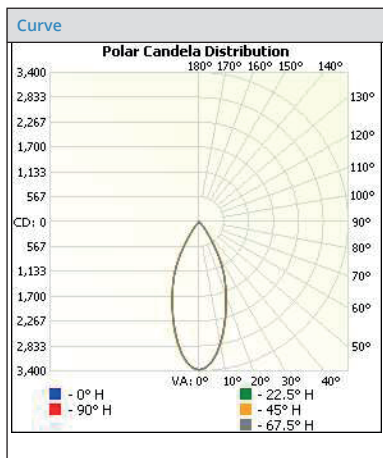



Degrees Vertical	Candela
0.0	3634
5.0	3246
10.0	2577
15.0	1514
20.0	1094
25.0	883
30.0	618
35.0	210
40.0	33
45.0	3
50.0	2
55.0	2
60.0	1
65.0	0
70.0	0
75.0	0
80.0	0
85.0	0
90.0	0

Zonal Lumen Summary		
Zone	Lumens	% Luminaire
0-30	1130.7	87.1
0-40	1291.3	99.4
10-60	1298.4	100.0
60-90	0.0	0.0
0-90	1298.7	100.0
90-180	0.0	0.0
0-180	1298.7	100.0

## 45° Distribution

**Test Number**  
 103268734CRT-008  
**Model**  
 V4CORU-2035K-W  
**Lumens**  
 1854.3  
**Efficacy**  
 92.2  
**SC**  
 0.992

Degrees Vertical	Candela
0.0	3374
5.0	3208
10.0	2803
15.0	2292
20.0	1778
25.0	1347
30.0	866
35.0	400
40.0	174
45.0	48
50.0	0
55.0	0
60.0	0
65.0	0
70.0	0
75.0	0
80.0	0
85.0	0
90.0	0

Zonal Lumen Summary		
Zone	Lumens	% Luminaire
0-30	1538.2	83.0
0-40	1812.0	97.7
10-60	1854.3	100.0
60-90	0.0	0.0
0-90	1854.3	100.0
90-180	0.0	0.0
0-180	1854.3	100.0

CAPELA Lumen Output Multipliers					
CRI	MULTIPLIER	KELVIN	MULTIPLIER	FINISH	MULTIPLIER
80	1	4000K	1.036	SCL	1
90	0.82	3500K	1	SGC	0.95
		3000K	0.974	WHT	0.87
		2700K	0.94		