

Catalog #	Quantity
Project	
Notes	Date
Prepared by	

6" LED/Capela

LED 6" Enclosed Micro Flange Downlight, 700-3000 Lumens



*New construction frame sold separately

2700K 3000K 3500K 4000K



Features

Optics

Specular clear finishes
Efficient optical design
15, 30, and 45 degree beam spreads
Frosted polycarbonate regressed lens

Controls

0-10V to 1% driver standard
0-10V to 0.1% &, Lutron, & Triac/Forward phase optional

Construction

Self-flanged or micro-flanged cold-rolled steel housing
Polyester powder coat
Torsion springs for maximum ceiling retention
Standard IC-rated up to 2,000 lumens
Optional new construction frame with quick connect

Electrical

High flux CoB array
80+ CRI standard, 90+ CRI optional
2700K, 3000K, 3500K, 4000K standard
High-performance Dim-to-Warm optional
70% lumen maintenance at 50,000 hours
Tested according to LM-79 and LM-80 standards
120 – 277V Universal Input standard

Listings

ETL certified to UL 1598 and UL 8750 requirements
Energy Star certified
Suitable for damp locations; Wet location under covered ceiling;
Not recommended for outdoor use
Buy American Act

Warranty

5-year limited warranty. Complete warranty terms located at:
<http://vantageltg.com/product-warranty/>

Ordering Information

EXAMPLE: V6CERM-3030K-L6074FR-SCL-W-WHT

Series/Source	Voltage	Nominal Lumens	Kelvin	Reflector	Finish	Distribution	Flange Color	Frame	Options
V6CERM 6" round, Enclosed Micro Flange	U - 120V-277V 1 - 120 Volts ¹ 3 - 347 Volts ³	-07 - 700 -13 - 1300 -20 - 2000 -30 - 3000	27K - 2700K 30K - 3000K 35K - 3500K 40K - 4000K DTW - Dim- to-Warm	L6071FR L6074P	SCL	N M W	WHT BLK	NCFAQ <i>New Construction Frame w/ Advanced QuickConnect RMDL Remodeler</i>	DL-2 ² DL-3 ² EM ² HCR LDE1 ² TDM ¹ XDM ²

Notes

¹TDM - available only in 120V

²Lutron Drivers - please consult factory

³Step-down Transformer

Kelvin Options

DTW - Dimmable
3000K to 1800K

Lens Options

1FR - Frosted Polycarbonate
4P - Prismatic Polycarbonate

Reflector Finish Options

SCL - Specular
Clear

Distribution Options

N - 15°
Distribution
M - 30°
Distribution
W - 45°
Distribution

Frame

NCFAQ - New Construction Frame w/ Advanced QuickConnect
RMDL - Remodeler

Options

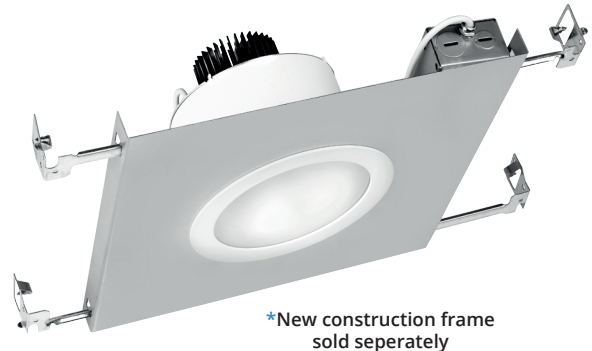
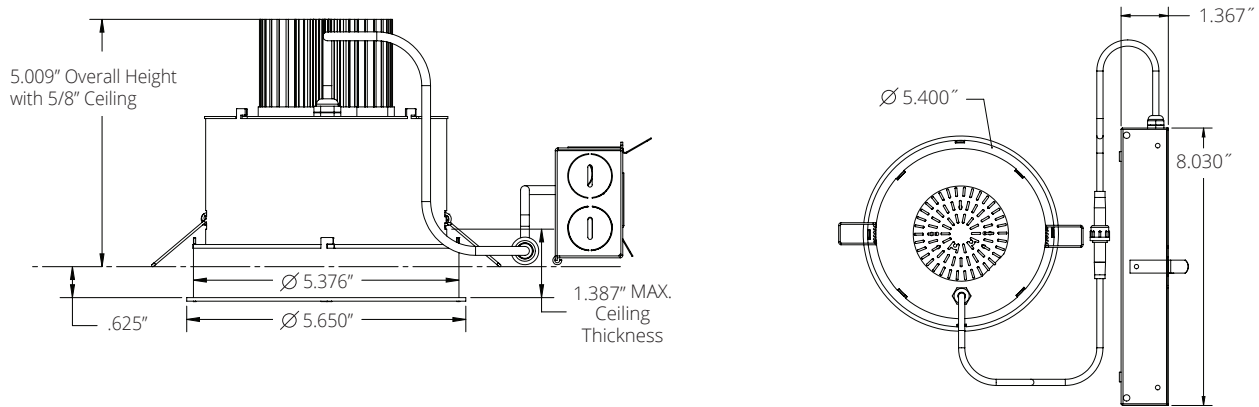
DL-2² - Lutron 2 wire HiLume Dimming Driver
DL-3² - Lutron 3 wire HiLume Dimming Driver
EM² - Emergency battery back-up. Remote test button & indicator Light

HCR - 90+ CRI
LDE1² - Lutron EcoSystem Fade-to-Black™
TDM¹ - Triac Dimming Driver (Forward Phase)
XDM² - 0-10V 0.1% Dimming

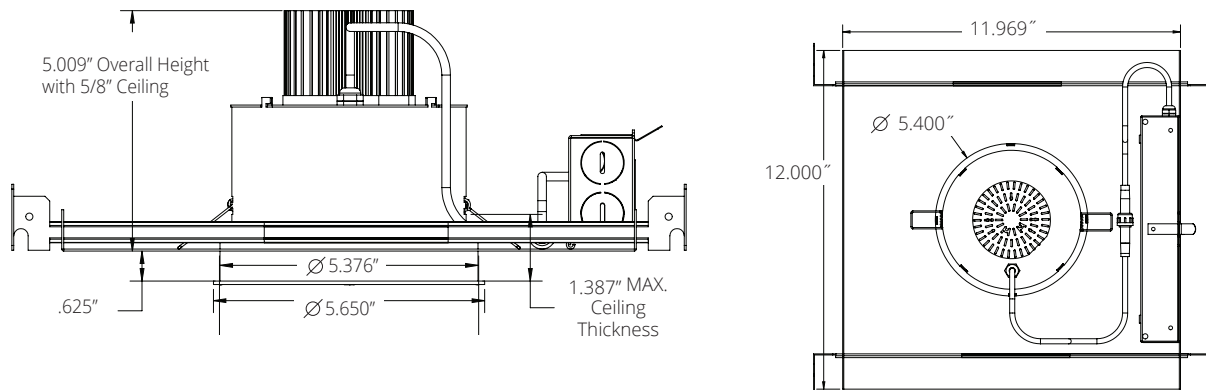
Vantage reserves the right to change components, finishes or design details in any manner which does not alter the installed appearance or reduce performance and intended function. | Capela™ is a trademark of Vantage Lighting.

Dimensional Data: LED 6" Enclosed Micro Flange Downlight

Ceiling Cut Out 5.400"



Ceiling Cut Out 4.400"



Lumens/Wattage

Nominal Lumens	Wattage*	CCT
700	7.56	3500K
1300	12.7	3500K
2000	19.6	3500K
3000	27.4	3500K

**Actual Wattage/Lumens may vary.*

Emergency Lumen Output

Nominal Lumens	Wattage*	CCT*
300	2.5	3500K

**Actual Wattage/Lumens may vary.*


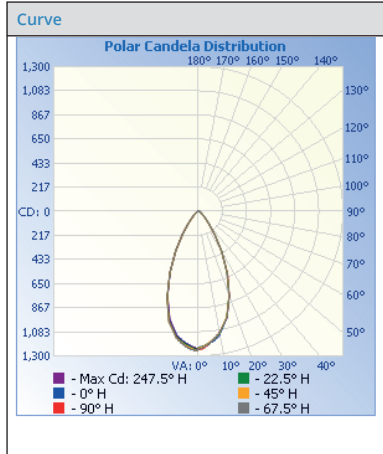
Dim-to-Warm Performance

Nominal Lumens	Wattage	100%			1%			
		CCT	CRI	R9	Wattage	CCT	CRI	R9
700	9.7	3100	95	85	2.9	1800	95	85
1300	13.2	3100	95	85	3.3	1800	95	85
2000	20.3	3100	95	85	3.8	1800	95	85

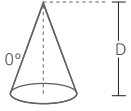
Photometrics

15° Distribution

Test Number
 PHM-RPT-171110-D09
Model
 V6CERU-1335K-N
Lumens
 987.7
Efficacy
 72.571
SC
 0.9063

Cone of Light



	Center Beam fc	Beam Width		
1.7	428	1.6	1.6	
3.3	114	3.0	3.1	
5.0	49.5	4.6	4.6	
6.7	27.5	6.1	6.2	
8.3	17.9	7.6	7.7	
10.0	12.4	9.1	9.3	

Candela Table


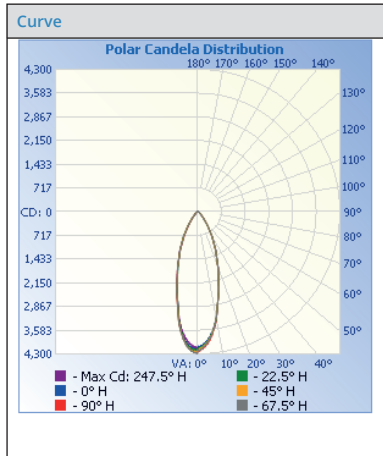
Degrees Vertical	Candela
0.0	1236
5.0	1189
10.0	1116
15.0	989
20.0	808
25.0	607
30.0	417
35.0	259
40.0	152
45.0	90
50.0	57
55.0	39
60.0	29
65.0	22
70.0	18
75.0	14
80.0	11
85.0	10
90.0	3

Zonal Lumen Summary

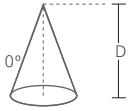
Zone	Lumens	% Luminaire
0-30	662.4	67.1
0-40	825.2	83.5
10-60	928.4	94.0
60-90	41.4	4.2
0-90	969.8	98.2
90-180	18.0	0.0
0-180	987.7	100.0

30° Distribution

Test Number
 PHM-RPT-171110-D11
Model
 V6CERU-3035K-M
Lumens
 2326.37
Efficacy
 82.67
SC
 0.9797

Cone of Light



	Center Beam fc	Beam Width		
1.7	1442	1.1	1.1	
3.3	383	2.1	2.1	
5.0	167	3.2	3.2	
6.7	92.9	4.2	4.3	
8.3	60.5	5.3	5.3	
10.0	41.7	6.3	6.4	

Candela Table


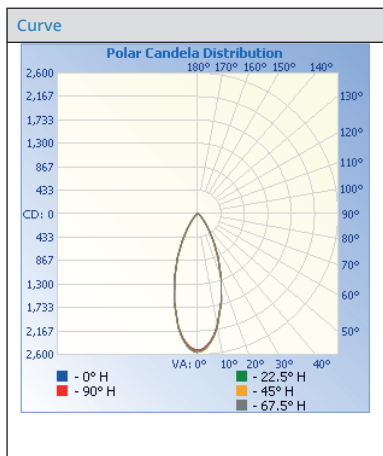
Degrees Vertical	Candela
0.0	4169
5.0	3829
10.0	3255
15.0	2457
20.0	1800
25.0	1286
30.0	871
35.0	521
40.0	289
45.0	165
50.0	105
55.0	73
60.0	57
65.0	46
70.0	37
75.0	32
80.0	22
85.0	16
90.0	11

Zonal Lumen Summary

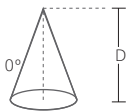
Zone	Lumens	% Luminaire
0-30	1620.7	69.7
0-40	1920.7	83.9
10-60	2162.5	93.0
60-90	94.4	4.1
0-90	2256.9	97.0
90-180	69.5	3.0
0-180	2326.4	100.0

45° Distribution

Test Number
 PHM-RPT-171110-D10
Model
 V6CERU-2035K-W
Lumens
 1523.65
Efficacy
 75.54
SC
 0.9906

Cone of Light



	Center Beam fc	Beam Width		
1.7	877	1.2	1.2	
3.3	233	2.4	2.4	
5.0	101	3.6	3.6	
6.7	56.6	4.9	4.9	
8.3	36.8	6.0	6.0	
10.0	25.4	7.3	7.3	

Candela Table

Degrees Vertical	Candela
0.0	2535
5.0	2411
10.0	2090
15.0	1684
20.0	1264
25.0	890
30.0	575
35.0	344
40.0	199
45.0	115
50.0	70
55.0	46
60.0	32
65.0	23
70.0	17
75.0	12
80.0	8
85.0	5
90.0	4

Zonal Lumen Summary

Zone	Lumens	% Luminaire
0-30	1088.5	71.4
0-40	1314.8	86.3
10-60	1456.6	95.6
60-90	42.1	2.8
0-90	1498.7	98.4
90-180	24.9	1.6
0-180	1523.7	100.0

CAPELA Lumen Output Multipliers

CRI	MULTIPLIER	KELVIN	MULTIPLIER	FINISH	MULTIPLIER
80	1	4000K	1.036	SCL	1
90	0.82	3500K	1	SGC	0.95
		3000K	0.974	WHT	0.87
		2700K	0.94		