

| | |
|-------------|----------|
| Catalog # | Quantity |
| Project | |
| Notes | Date |
| Prepared by | |

6" LED/Capela

LED 6" Enclosed Downlight, 700-3000 Lumens



*New construction frame sold separately

2700K 3000K 3500K 4000K



Features

Optics

Specular clear finishes
Efficient optical design
15, 30, and 45 degree beam spreads
Frosted polycarbonate regressed lens

Controls

0-10V to 1% driver standard
0-10V to 0.1% &, Lutron, & Triac/Forward phase optional

Construction

Self-flanged cold-rolled steel housing
Polyester powder coat
Torsion springs for maximum ceiling retention
Standard IC-rated up to 2,000 lumens
Optional new construction frame with quick connect

Electrical

High flux CoB array
80+ CRI standard, 90+ CRI optional
2700K, 3000K, 3500K, 4000K standard
High-performance Dim-to-Warm optional
70% lumen maintenance at 50,000 hours
Tested according to LM-79 and LM-80 standards
120 – 277V Universal Input standard

Listings

ETL certified to UL 1598 and UL 8750 requirements
Energy Star certified
Suitable for damp locations; Wet location under covered ceiling;
Not recommended for outdoor use
Buy American Act

Warranty

5-year limited warranty. Complete warranty terms located at:
<http://vantageltg.com/product-warranty/>

Ordering Information

EXAMPLE: V6CER-3030K-L6074FR-SCL-W-WHT

| Series/Source | Voltage | Nominal Lumens | Kelvin | Reflector | Finish | Distribution | Flange Color | Frame | Options |
|--------------------------------|---|---|---|-------------------|--------|--------------|--------------|--|---|
| V6CER 6" round, Enclosed | U - 120V-277V 1 - 120 Volts ¹ 3 - 347 Volts ³ | -07 - 700 -13 - 1300 -20 - 2000 -30 - 3000 | 27K - 2700K 30K - 3000K 35K - 3500K 40K - 4000K DTW - Dim- to-Warm | L6071FR L6074P | SCL | N M W | WHT BLK | NCFAQ <i>New Construction Frame w/ Advanced QuickConnect RMDL Remodeler</i> | DL-2 ² DL-3 ² EM ² HCR LDE1 ² TDM ¹ XDM ² |

Notes

¹TDM - available only in 120V

²Lutron Drivers - please consult factory

³Step-down Transformer

Kelvin Options

DTW - Dimmable
3000K to 1800K

Lens Options

1FR - Frosted Polycarbonate
4P - Prismatic Polycarbonate

Reflector Finish Options

SCL - Specular
Clear

Distribution Options

N - 15°
Distribution
M - 30°
Distribution
W - 45°
Distribution

Frame

NCFAQ - New Construction Frame w/ Advanced QuickConnect
RMDL - Remodeler

Options

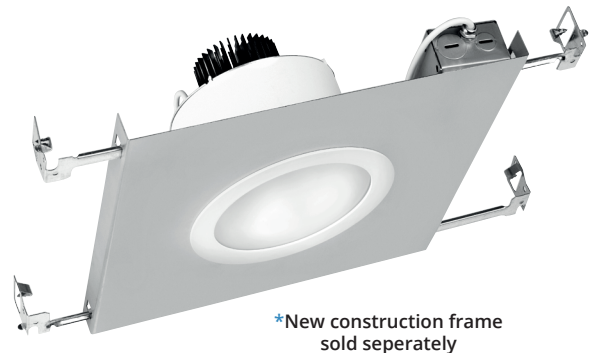
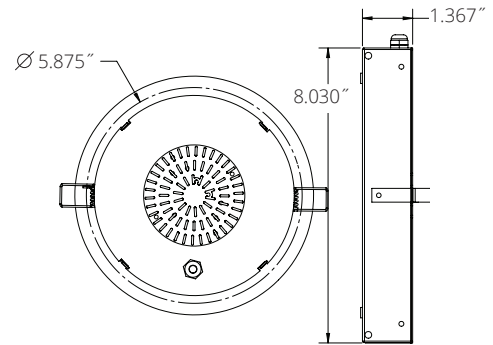
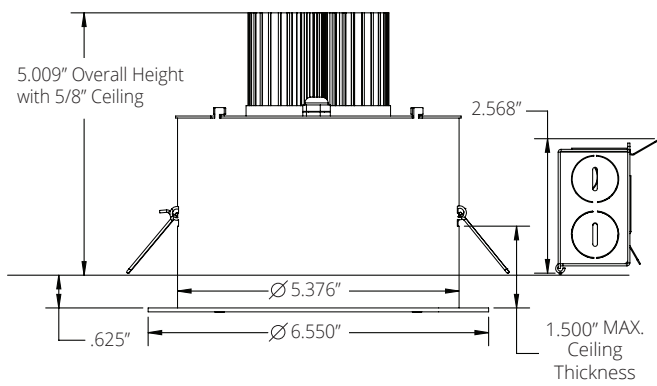
DL-2² - Lutron 2 wire HiLume Dimming Driver
DL-3² - Lutron 3 wire HiLume Dimming Driver
EM² - Emergency battery back-up. Remote test button & indicator Light

HCR - 90+ CRI
LDE1² - Lutron EcoSystem Fade-to-Black™
TDM¹ - Triac Dimming Driver (Forward Phase)
XDM² - 0-10V 0.1% Dimming

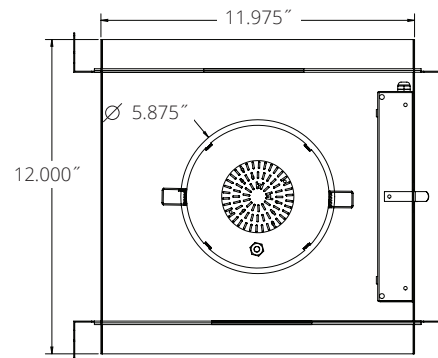
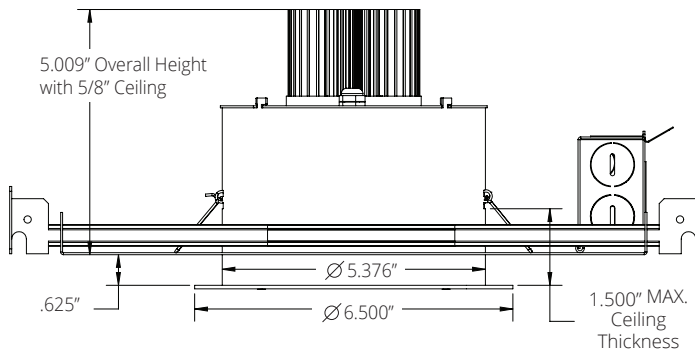
Vantage reserves the right to change components, finishes or design details in any manner which does not alter the installed appearance or reduce performance and intended function. | Capela™ is a trademark of Vantage Lighting.

Dimensional Data: LED 6" Enclosed Downlight

Ceiling Cut Out 5.875"



Ceiling Cut Out 5.875"



Lumens/Wattage

| Nominal Lumens | Wattage* | CCT |
|----------------|----------|-------|
| 700 | 7.56 | 3500K |
| 1300 | 12.7 | 3500K |
| 2000 | 19.6 | 3500K |
| 3000 | 27.4 | 3500K |

*Actual Wattage/Lumens may vary.

Emergency Lumen Output

| Nominal Lumens | Wattage* | CCT |
|----------------|----------|-------|
| 300 | 2.5 | 3500K |

*Actual Wattage/Lumens may vary.


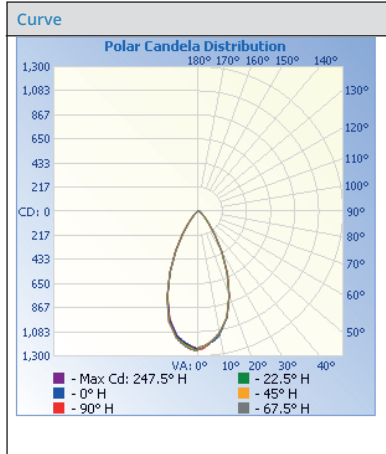
Dim-to-Warm Performance

| Nominal Lumens | 100% | | | | 1% | | | |
|----------------|---------|------|-----|----|---------|------|-----|----|
| | Wattage | CCT | CRI | R9 | Wattage | CCT | CRI | R9 |
| 700 | 9.7 | 3100 | 95 | 85 | 2.9 | 1800 | 95 | 85 |
| 1300 | 13.2 | 3100 | 95 | 85 | 3.3 | 1800 | 95 | 85 |
| 2000 | 20.3 | 3100 | 95 | 85 | 3.8 | 1800 | 95 | 85 |

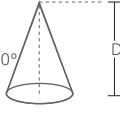
Photometrics

15° Distribution

Test Number
 PHM-RPT-171110-D09
Model
 V6CERU-1335K-N
Lumens
 987.7
Efficacy
 72.571
SC
 0.9063

Cone of Light



| | Center Beam fc | Beam Width | |
|------|----------------|------------|-----|
| 1.7 | 428 | 1.6 | 1.6 |
| 3.3 | 114 | 3.0 | 3.1 |
| 5.0 | 49.5 | 4.6 | 4.6 |
| 6.7 | 27.5 | 6.1 | 6.2 |
| 8.3 | 17.9 | 7.6 | 7.7 |
| 10.0 | 12.4 | 9.1 | 9.3 |

Candela Table


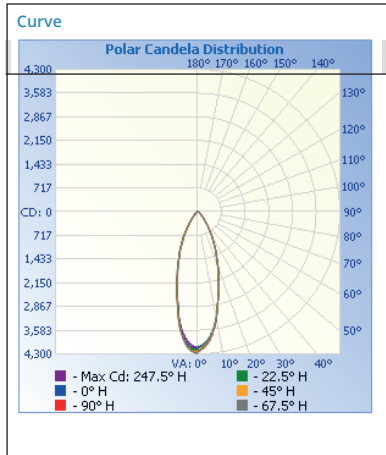
| Degrees Vertical | Candela |
|------------------|---------|
| 0.0 | 1236 |
| 5.0 | 1189 |
| 10.0 | 1116 |
| 15.0 | 989 |
| 20.0 | 808 |
| 25.0 | 607 |
| 30.0 | 417 |
| 35.0 | 259 |
| 40.0 | 152 |
| 45.0 | 90 |
| 50.0 | 57 |
| 55.0 | 39 |
| 60.0 | 29 |
| 65.0 | 22 |
| 70.0 | 18 |
| 75.0 | 14 |
| 80.0 | 11 |
| 85.0 | 10 |
| 90.0 | 3 |

Zonal Lumen Summary

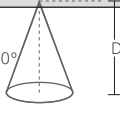
| Zone | Lumens | % Luminaire |
|--------|--------|-------------|
| 0-30 | 662.4 | 67.1 |
| 0-40 | 825.2 | 83.5 |
| 10-60 | 928.4 | 94.0 |
| 60-90 | 41.4 | 4.2 |
| 0-90 | 969.8 | 98.2 |
| 90-180 | 18.0 | 0.0 |
| 0-180 | 987.7 | 100.0 |

30° Distribution

Test Number
 PHM-RPT-171110-D11
Model
 V6CERU-3035K-M
Lumens
 2326.37
Efficacy
 82.67
SC
 0.9797

Cone of Light



| | Center Beam fc | Beam Width | |
|------|----------------|------------|-----|
| 1.7 | 1442 | 1.1 | 1.1 |
| 3.3 | 383 | 2.1 | 2.1 |
| 5.0 | 167 | 3.2 | 3.2 |
| 6.7 | 92.9 | 4.2 | 4.3 |
| 8.3 | 60.5 | 5.3 | 5.3 |
| 10.0 | 41.7 | 6.3 | 6.4 |

Candela Table

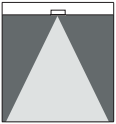
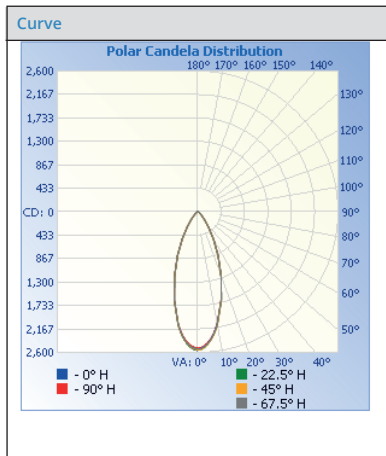
| Degrees Vertical | Candela |
|------------------|---------|
| 0.0 | 4169 |
| 5.0 | 3829 |
| 10.0 | 3255 |
| 15.0 | 2457 |
| 20.0 | 1800 |
| 25.0 | 1286 |
| 30.0 | 871 |
| 35.0 | 521 |
| 40.0 | 289 |
| 45.0 | 165 |
| 50.0 | 105 |
| 55.0 | 73 |
| 60.0 | 57 |
| 65.0 | 46 |
| 70.0 | 37 |
| 75.0 | 32 |
| 80.0 | 22 |
| 85.0 | 16 |
| 90.0 | 11 |

Zonal Lumen Summary

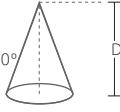
| Zone | Lumens | % Luminaire |
|--------|--------|-------------|
| 0-30 | 1620.7 | 69.7 |
| 0-40 | 1920.7 | 83.9 |
| 10-60 | 2162.5 | 93.0 |
| 60-90 | 94.4 | 4.1 |
| 0-90 | 2256.9 | 97.0 |
| 90-180 | 69.5 | 3.0 |
| 0-180 | 2326.4 | 100.0 |

45° Distribution

Test Number
 PHM-RPT-171110-D10
Model
 V6CERU-2035K-W
Lumens
 1523.65
Efficacy
 75.54
SC
 0.9906

Cone of Light



| | Center Beam fc | Beam Width | |
|------|----------------|------------|-----|
| 1.7 | 877 | 1.2 | 1.2 |
| 3.3 | 233 | 2.4 | 2.4 |
| 5.0 | 101 | 3.6 | 3.6 |
| 6.7 | 56.6 | 4.9 | 4.9 |
| 8.3 | 36.8 | 6.0 | 6.0 |
| 10.0 | 25.4 | 7.3 | 7.3 |

Candela Table

| Degrees Vertical | Candela |
|------------------|---------|
| 0.0 | 2535 |
| 5.0 | 2411 |
| 10.0 | 2090 |
| 15.0 | 1684 |
| 20.0 | 1264 |
| 25.0 | 890 |
| 30.0 | 575 |
| 35.0 | 344 |
| 40.0 | 199 |
| 45.0 | 115 |
| 50.0 | 70 |
| 55.0 | 46 |
| 60.0 | 32 |
| 65.0 | 23 |
| 70.0 | 17 |
| 75.0 | 12 |
| 80.0 | 8 |
| 85.0 | 5 |
| 90.0 | 4 |

Zonal Lumen Summary

| Zone | Lumens | % Luminaire |
|--------|--------|-------------|
| 0-30 | 1088.5 | 71.4 |
| 0-40 | 1314.8 | 86.3 |
| 10-60 | 1456.6 | 95.6 |
| 60-90 | 42.1 | 2.8 |
| 0-90 | 1498.7 | 98.4 |
| 90-180 | 24.9 | 1.6 |
| 0-180 | 1523.7 | 100.0 |

CAPELA Lumen Output Multipliers

| CRI | MULTIPLIER | KELVIN | MULTIPLIER | FINISH | MULTIPLIER |
|-----|------------|--------|------------|--------|------------|
| 80 | 1 | 4000K | 1.036 | SCL | 1 |
| 90 | 0.82 | 3500K | 1 | SGC | 0.95 |
| | | 3000K | 0.974 | WHT | 0.87 |
| | | 2700K | 0.94 | | |