

Catalog #	Quantity
Project	
Notes	Date
Prepared by	

4" LED/Capela

LED 4" Square Regressed Lens Downlight, 700-3000 Lumens



*New construction frame sold separately

2700K 3000K 3500K 4000K



Features

Optics

- Soft glow clear, specular clear and white finishes
- Efficient optical design
- 15, 30, and 45 degree beam spreads
- Frosted polycarbonate regressed lens

Controls

- 0-10V to 1% driver standard
- 0-10V to 0.1% &, Lutron, & Triac/Forward phase optional

Construction

- Self-flanged cold-rolled steel housing
- Polyester powder coat
- Torsion springs for maximum ceiling retention
- Standard IC-rated up to 2,000 lumens
- Optional new construction frame with quick connect

Electrical

- High flux CoB array
- 80+ CRI standard, 90+ CRI optional
- 2700K, 3000K, 3500K, 4000K standard
- High-performance Dim-to-Warm optional
- 70% lumen maintenance at 50,000 hours
- Tested according to LM-79 and LM-80 standards
- 120 – 277V Universal Input standard

Listings

- ETL certified to UL 1598 and UL 8750 requirements
- Energy Star certified
- Suitable for damp locations; Wet location under covered ceiling;
- Not recommended for outdoor use
- Buy American Act

Warranty

- 5-year limited warranty. Complete warranty terms located at: <http://vantageltg.com/product-warranty/>

Ordering Information

EXAMPLE: V4CRS-2030K-S4040-SGC-N-WHT

Series/Source	Voltage	Nominal Lumens	Kelvin	Reflector	Finish	Distribution	Flange Color	Frame	Options
V4CRS 4" square, Regressed	U - 120V-277V 1 - 120 Volts ¹ 3 - 347 Volts ³	-07 - 700 -13 - 1300 -20 - 2000 -30 - 3000	27K - 2700K 30K - 3000K 35K - 3500K 40K - 4000K DTW - Dim- to-Warm	S4040	SCL SGC WHT	N M W	WHT BLK	NCFQAQ <i>New Construction Frame w/ Advanced QuickConnect RMDL Remodeler</i>	DL-2 ² DL-3 ² EM ² HCR LDE1 ² TDM ¹ XDM ²

Notes

- ¹TDM - available only in 120V
- ²Lutron Drivers - please consult factory
- ³Step-down Transformer

Kelvin Options

- DTW - Dimmable 3000K to 1800K

Reflector Finish Options

- SCL - Specular Clear
- SGC - Soft Glow Clear
- WHT - White Painted

Distribution Options

- N - 15° Distribution
- M - 30° Distribution
- W - 45° Distribution

Frame

- NCFQAQ - New Construction Frame w/ Advanced QuickConnect
- RMDL - Remodeler

Options

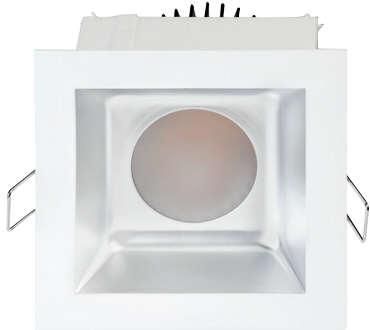
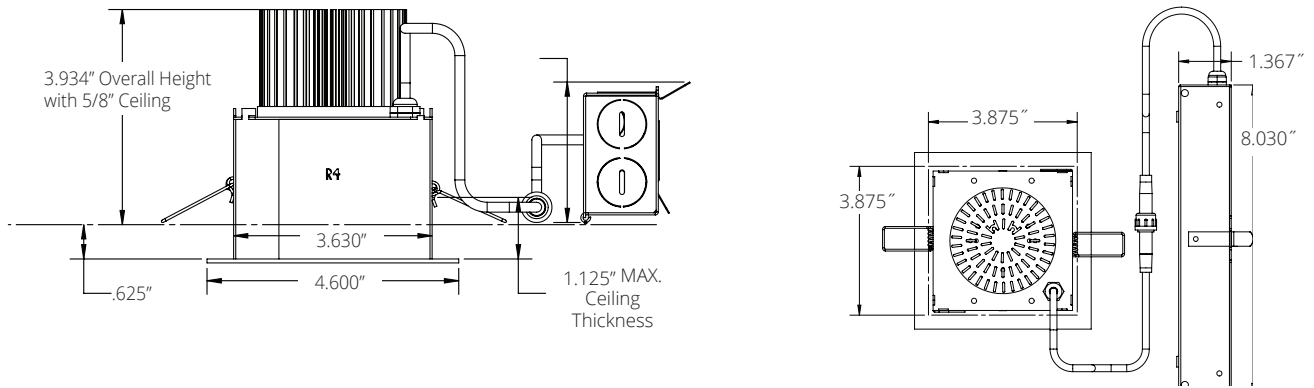
- DL-2² - Lutron 2 wire HiLume Dimming Driver
- DL-3² - Lutron 3 wire HiLume Dimming Driver
- EM² - Emergency battery back-up. Remote test button & indicator Light

- HCR - 90+ CRI
- LDE1² - Lutron EcoSystem Fade-to-Black™
- TDM¹ - Triac Dimming Driver (Forward Phase)
- XDM² - 0-10V 0.1% Dimming

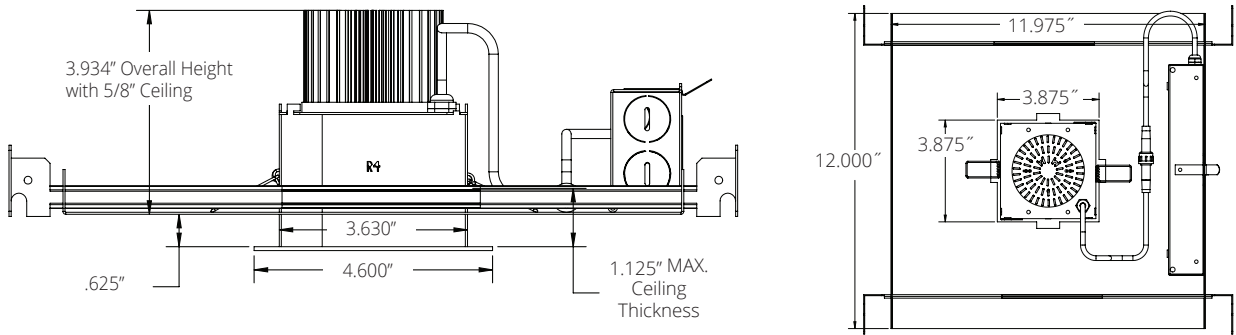
Vantage reserves the right to change components, finishes or design details in any manner which does not alter the installed appearance or reduce performance and intended function. | Capela™ is a trademark of Vantage Lighting.

Dimensional Data: LED 4" Square Regressed Lens Downlight

Ceiling Cut Out 3.875x3.875 Square"



Ceiling Cut Out 3.875x3.875"



Lumens/Wattage

Nominal Lumens	Wattage*	CCT
700	7.56	3500K
1300	12.7	3500K
2000	19.6	3500K
3000	27.4	3500K

*All measured at 3500K
Actual Wattage/Lumens may vary.

Emergency Lumen Output

Nominal Lumens	Wattage*	CCT
300	2.5	3500K

**Actual Wattage/Lumens may vary.*


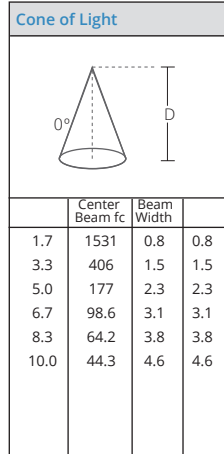
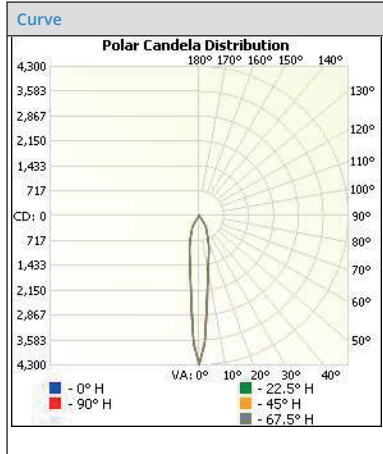
Dim-to-Warm Performance

Nominal Lumens	Wattage	100%			1%			
		CCT	CRI	R9	Wattage	CCT	CRI	R9
700	9.7	3100	95	85	2.9	1800	95	85
1300	13.2	3100	95	85	3.3	1800	95	85
2000	20.3	3100	95	85	3.8	1800	95	85

Photometrics

15° Distribution

Test Number
 103268734CRT-002
Model
 V4CRSU-1335K-N
Lumens
 1340.3
Efficacy
 100.7
SC
 0.956


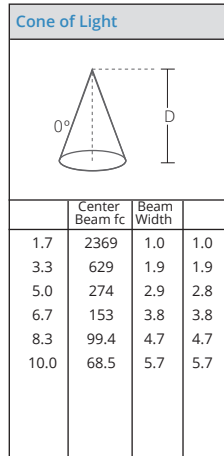
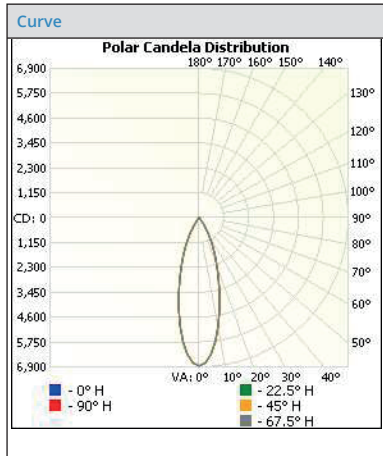



Degrees Vertical	Candela
0.0	4426
5.0	3997
10.0	2882
15.0	1785
20.0	1164
25.0	771
30.0	425
35.0	172
40.0	47
45.0	15
50.0	6
55.0	2
60.0	0
65.0	0
70.0	0
75.0	0
80.0	0
85.0	0
90.0	0

Zone	Lumens	% Luminaire
0-30	1198.1	89.4
0-40	1319.1	98.4
10-60	1304.3	100.0
60-90	0.0	0.0
0-90	1340.3	100.0
90-180	0.0	0.0
0-180	1340.3	100.0

30° Distribution

Test Number
 103268734CRT-001
Model
 V4CRSU-3035K-M
Lumens
 2553.6
Efficacy
 91.9
SC
 0.995

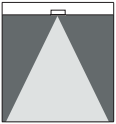
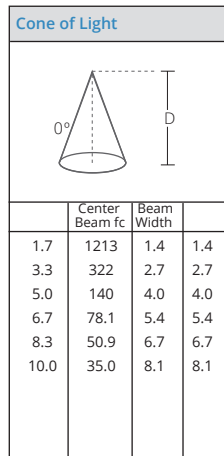
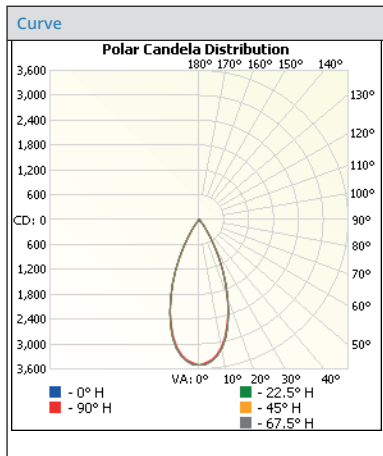



Degrees Vertical	Candela
0.0	6846
5.0	6330
10.0	5078
15.0	3657
20.0	2443
25.0	1536
30.0	837
35.0	356
40.0	100
45.0	38
50.0	18
55.0	6
60.0	0
65.0	0
70.0	0
75.0	0
80.0	0
85.0	0
90.0	0

Zone	Lumens	% Luminaire
0-30	2262.7	88.6
0-40	25,02.7	98.0
10-60	2553.4	100.0
60-90	0.2	0.0
0-90	2553.6	100.0
90-180	0.0	0.0
0-180	2553.6	100.0

45° Distribution

Test Number
 103233437CRT-003
Model
 V4CRSU-2035K-W
Lumens
 1917.6
Efficacy
 98.2
SC
 0.992

Degrees Vertical	Candela
0.0	3505
5.0	3426
10.0	3154
15.0	2659
20.0	2009
25.0	1348
30.0	748
35.0	314
40.0	96
45.0	16
50.0	6
55.0	0
60.0	0
65.0	0
70.0	0
75.0	0
80.0	0
85.0	0
90.0	0

Zone	Lumens	% Luminaire
0-30	1651.2	86.1
0-40	1866.9	97.4
10-60	1917.2	100.0
60-90	0.4	0.0
0-90	1917.6	100.0
90-180	0.0	0.0
0-180	1917.6	100.0

CAPELA Lumen Output Multipliers

CRI	MULTIPLIER	KELVIN	MULTIPLIER	FINISH	MULTIPLIER
80	1	4000K	1.036	SCL	1
90	0.82	3500K	1	SGC	0.95
		3000K	0.974	WHT	0.87
		2700K	0.94		