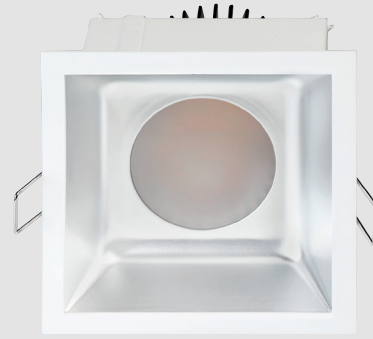


Catalog #	Quantity
Project	
Notes	Date
Prepared by	

4" LED/Capela

LED 4" Square Regressed Lens Micro Flange Downlight, 700-2000 Lumens



*New construction frame sold separately

2700K 3000K 3500K 4000K



Features

Optics

Soft glow clear, specular clear and white finishes
Efficient optical design
15, 30, and 45 degree beam spreads
Frosted polycarbonate regressed lens

Controls

0-10V to 1% driver standard
0-10V to 0.1% &, Lutron, & Triac/Forward phase optional

Construction

Self-flanged or micro-flanged cold-rolled steel housing
Polyester powder coat
Torsion springs for maximum ceiling retention
Standard IC-rated up to 2,000 lumens
Optional new construction frame with quick connect

Electrical

High flux CoB array
80+ CRI standard, 90+ CRI optional
2700K, 3000K, 3500K, 4000K standard
High-performance Dim-to-Warm optional
70% lumen maintenance at 50,000 hours
Tested according to LM-79 and LM-80 standards
120 - 277V Universal Input standard

Listings

ETL certified to UL 1598 and UL 8750 requirements
Energy Star certified
Suitable for damp locations; Wet location under covered ceiling;
Not recommended for outdoor use
Buy American Act

Warranty

5-year limited warranty. Complete warranty terms located at:
<http://vantageltg.com/product-warranty/>

Ordering Information

EXAMPLE: V4CRSM-2030K-S4040-SGC-MD-WHT

Series/Source	Voltage	Nominal	Kelvin	Reflector	Finish	Distribution	Flange Color	Frame	Options
V4CRSM 4" square, Regressed Micro Flange	U - 120V-277V 1 - 120 Volts ¹ 3 - 347 Volts ³	-07 - 700 -13 - 1300 -20 - 2000	27K - 2700K 30K - 3000K 35K - 3500K 40K - 4000K DTW - Dim- to-Warm	S4040	SCL SGC WHT	N M W	WHT BLK	NCFAQ <i>New Construction Frame w/ Advanced QuickConnect RMDL Remodeler</i>	DL-2 ² DL-3 ² EM ² HCR LDE1 ² TDM ¹ XDM ²

Notes

¹TDM - available only in 120V

²Lutron Drivers - please consult factory

³Step-down Transformer

Kelvin Options

DTW - Dimmable
3000K to 1800K

Reflector Finish Options

SCL - Specular Clear
SGC - Soft Glow Clear
WHT - White Painted

Distribution Options

N - 15°
M - 30°
W - 45°
Distribution

Frame

NCFAQ - New Construction Frame w/ Advanced QuickConnect
RMDL - Remodeler

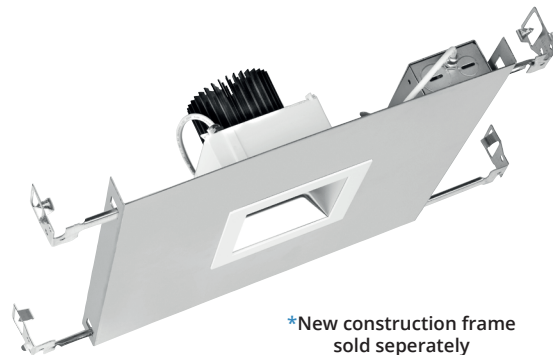
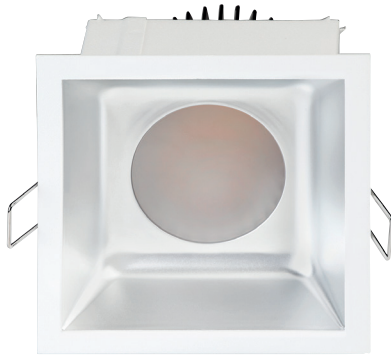
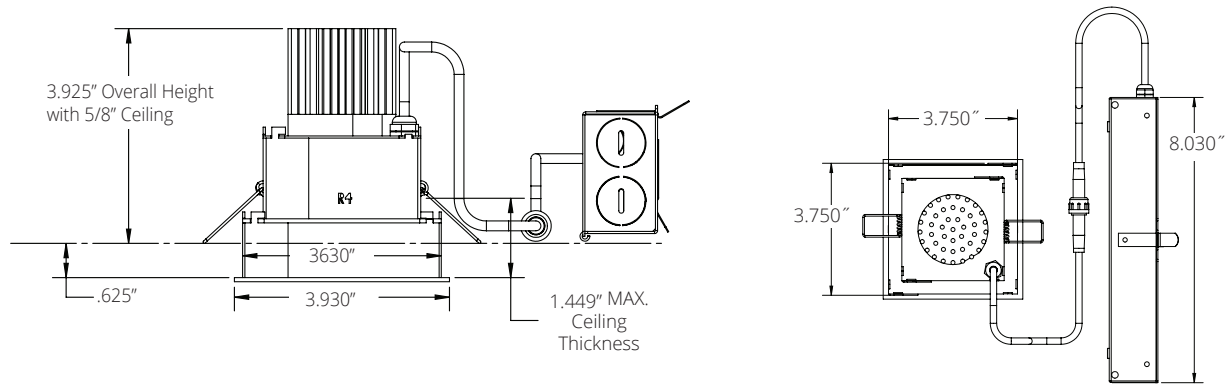
Options

DL-2² - Lutron 2 wire HiLume Dimming Driver
DL-3² - Lutron 3 wire HiLume Dimming Driver
EM² - Emergency battery back-up. Remote test button & indicator Light
HCR - 90+ CRI
LDE1² - Lutron EcoSystem Fade-to-Black™
TDM¹ - Triac Dimming Driver (Forward Phase)
XDM² - 0-10V 0.1% Dimming

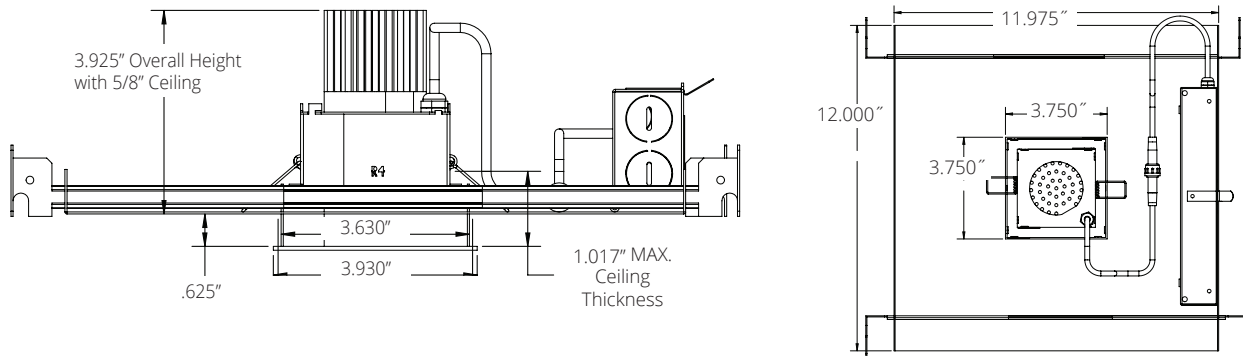
Vantage reserves the right to change components, finishes or design details in any manner which does not alter the installed appearance or reduce performance and intended function. | Capela™ is a trademark of Vantage Lighting.

Dimensional Data: LED 4" Square Regressed Lens Micro Flange Downlight

Ceiling Cut Out 3.630x3.717" Square



Ceiling Cut Out 3.875x3.875" Square



Lumens/Wattage

Nominal Lumens	Wattage*	CCT
700	7.56	3500K
1300	12.7	3500K
2000	19.6	3500K

*All measured at 3500K
Actual Wattage/Lumens may vary.

Emergency Lumen Output

Nominal Lumens	Wattage*	CCT
300	2.5	3500K

**Actual Wattage/Lumens may vary.*


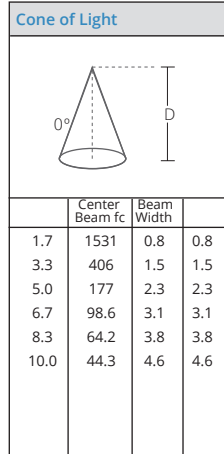
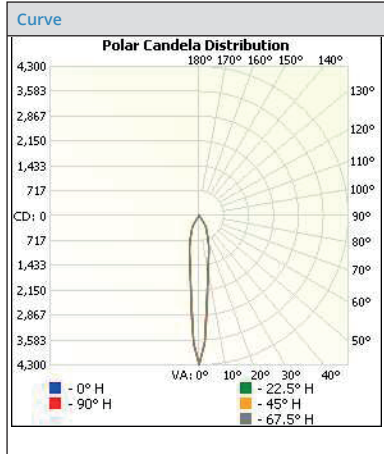
Dim-to-Warm Performance

Nominal Lumens	Wattage	100%			1%			
		CCT	CRI	R9	Wattage	CCT	CRI	R9
700	9.7	3100	95	85	2.9	1800	95	85
1300	13.2	3100	95	85	3.3	1800	95	85
2000	20.3	3100	95	85	3.8	1800	95	85

Photometrics

15° Distribution

Test Number
 103268734CRT-002
Model
 V4CRSU-1335K-N
Lumens
 1340.3
Efficacy
 100.7
SC
 0.956

Candela Table


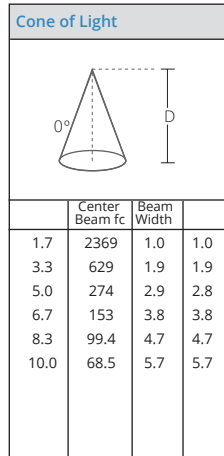
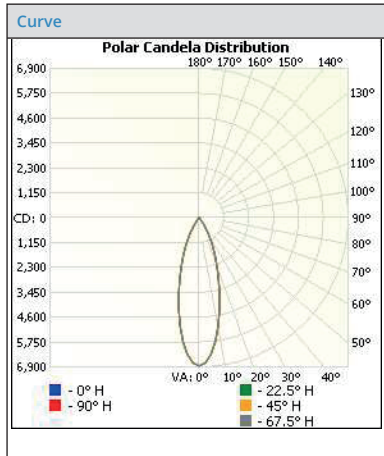
Degrees Vertical	Candela
0.0	4426
5.0	3997
10.0	2882
15.0	1785
20.0	1164
25.0	771
30.0	425
35.0	172
40.0	47
45.0	15
50.0	6
55.0	2
60.0	0
65.0	0
70.0	0
75.0	0
80.0	0
85.0	0
90.0	0

Zonal Lumen Summary

Zone	Lumens	% Luminaire
0-30	1198.1	89.4
0-40	1319.1	98.4
10-60	1304.3	100.0
60-90	0.0	0.0
0-90	1340.3	100.0
90-180	0.0	0.0
0-180	1340.3	100.0

30° Distribution

Test Number
 103268734CRT-001
Model
 V4CRSU-3035K-M
Lumens
 2553.6
Efficacy
 91.9
SC
 0.995

Candela Table

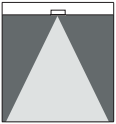
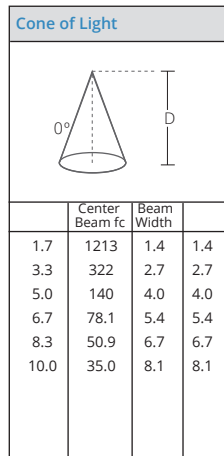
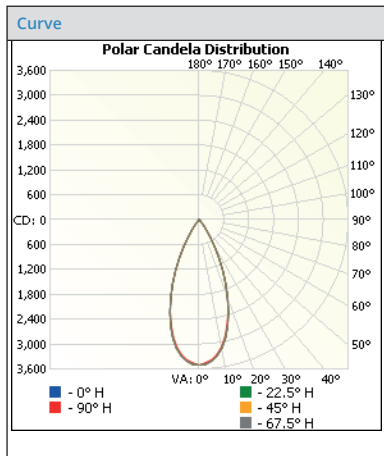
Degrees Vertical	Candela
0.0	6846
5.0	6330
10.0	5078
15.0	3657
20.0	2443
25.0	1536
30.0	837
35.0	356
40.0	100
45.0	38
50.0	18
55.0	6
60.0	0
65.0	0
70.0	0
75.0	0
80.0	0
85.0	0
90.0	0

Zonal Lumen Summary

Zone	Lumens	% Luminaire
0-30	2262.7	88.6
0-40	25,02.7	98.0
10-60	2553.4	100.0
60-90	0.2	0.0
0-90	2553.6	100.0
90-180	0.0	0.0
0-180	2553.6	100.0

45° Distribution

Test Number
 103233437CRT-003
Model
 V4CRSU-2035K-W
Lumens
 1917.6
Efficacy
 98.2
SC
 0.992

Candela Table

Degrees Vertical	Candela
0.0	3505
5.0	3426
10.0	3154
15.0	2659
20.0	2009
25.0	1348
30.0	748
35.0	314
40.0	96
45.0	16
50.0	6
55.0	0
60.0	0
65.0	0
70.0	0
75.0	0
80.0	0
85.0	0
90.0	0

Zonal Lumen Summary

Zone	Lumens	% Luminaire
0-30	1651.2	86.1
0-40	1866.9	97.4
10-60	1917.2	100.0
60-90	0.4	0.0
0-90	1917.6	100.0
90-180	0.0	0.0
0-180	1917.6	100.0

CAPELA Lumen Output Multipliers

CRI	MULTIPLIER	KELVIN	MULTIPLIER	FINISH	MULTIPLIER
80	1	4000K	1.036	SCL	1
90	0.82	3500K	1	SGC	0.95
		3000K	0.974	WHT	0.87
		2700K	0.94		