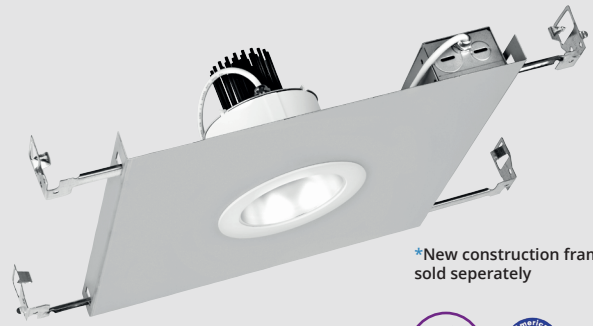


Catalog #	Quantity
Project	
Notes	Date
Prepared by	

4" LED/Capela

LED 4" Regressed Lens Downlight, 700-3000 Lumens



*New construction frame sold separately

2700K 3000K 3500K 4000K



Features

Optics

Soft glow clear, specular clear and white finishes
Efficient optical design
15, 30, and 45 degree beam spreads
Frosted polycarbonate regressed lens

Controls

0-10V to 1% driver standard
0-10V to 0.1% &, Lutron, & Triac/Forward phase optional

Construction

Self-flanged cold-rolled steel housing
Polyester powder coat
Torsion springs for maximum ceiling retention
Standard IC-rated up to 2,000 lumens
Optional new construction frame with quick connect

Electrical

High flux CoB array
80+ CRI standard, 90+ CRI optional
2700K, 3000K, 3500K, 4000K standard
High-performance Dim-to-Warm optional
70% lumen maintenance at 50,000 hours
Tested according to LM-79 and LM-80 standards
120 - 277V Universal Input standard

Listings

ETL certified to UL 1598 and UL 8750 requirements
Energy Star certified
Suitable for damp locations; Wet location under covered ceiling;
Not recommended for outdoor use
Buy American Act

Warranty

5-year limited warranty. Complete warranty terms located at:
<http://vantageltg.com/product-warranty/>

Ordering Information

EXAMPLE: V4CRRU-2030K-L4040-SGC-N-WHT

Series/Source	Voltage	Nominal Lumens	Kelvin	Reflector	Finish	Distribution	Flange Color	Frame	Options
V4CRR 4" round, Regressed	U - 120V-277V 1 - 120 Volts ¹ 3 - 347 Volts ³	-07 - 700 -13 - 1300 -20 - 2000 -30 - 3000	27K - 2700K 30K - 3000K 35K - 3500K 40K - 4000K DTW - Dim- to-Warm	L4040	SCL SGC WHT	N M W	WHT BLK	NCFAQ <i>New Construction Frame w/ Advanced QuickConnect RMDL Remodeler</i>	DL-2 ² DL-3 ² EM ² HCR LDE1 ² TDM ¹ XDM ²

Options in purple qualify for the Velocity Same Day program up to 100 pieces (up to 30 in EM). Refer to Velocity Guide for complete details.

Notes
¹TDM - available only in 120V
²Lutron Drivers - please consult factory
³Step-down Transformer

Kelvin Options
DTW - Dimmable 3000K to 1800K

Reflector Finish Options
SCL - Specular Clear
SGC - Soft Glow Clear
WHT - White Painted

Distribution Options
N - 15°
M - 30°
W - 45°
Distribution

Frame
NCFAQ - New Construction Frame w/ Advanced QuickConnect
RMDL - Remodeler

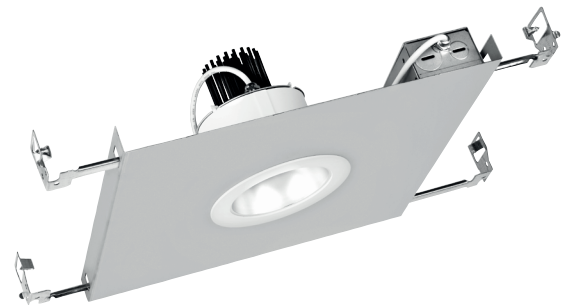
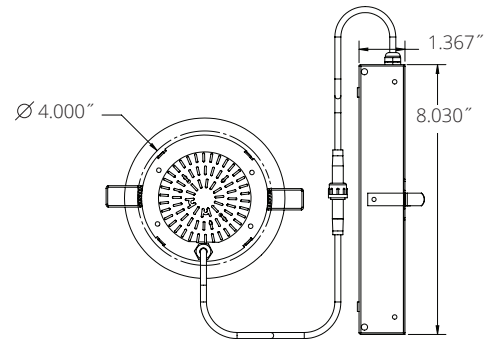
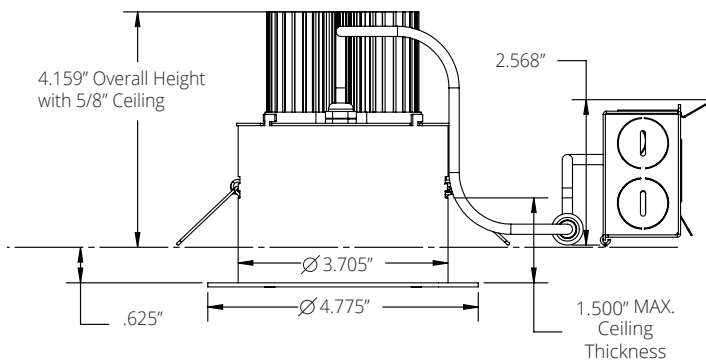
Options
DL-2² - Lutron 2 wire HiLume Dimming Driver
DL-3² - Lutron 3 wire HiLume Dimming Driver
EM² - Emergency battery back-up. Remote test button & indicator Light

HCR - 90+ CRI
LDE1² - Lutron EcoSystem Fade-to-Black™
TDM¹ - Triac Dimming Driver (Forward Phase)
XDM² - 0-10V 0.1% Dimming

Vantage reserves the right to change components, finishes or design details in any manner which does not alter the installed appearance or reduce performance and intended function. | Capela™ is a trademark of Vantage Lighting.

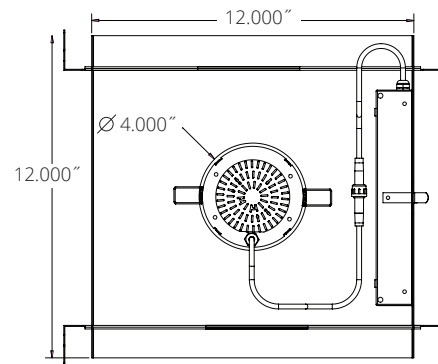
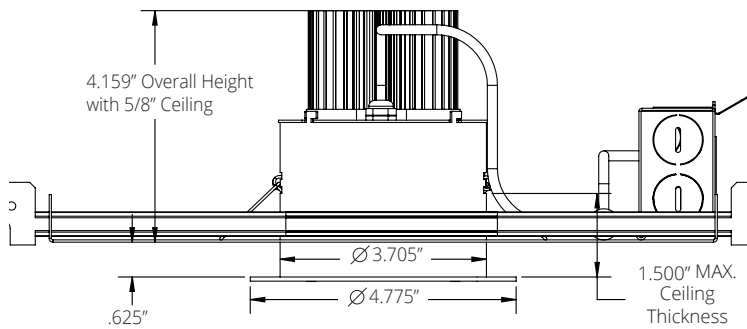
Dimensional Data: LED 4" Regressed Lens Downlight

Ceiling Cut Out 4.000"



*New construction frame sold separately

Ceiling Cut Out 4.000"



Lumens/Wattage

Nominal Lumens	Wattage*	CCT
700	7.56	3500K
1300	12.7	3500K
2000	19.6	3500K
3000	27.4	3500K

All measured at 3500K
*Actual Wattage/Lumens may vary.

Emergency Lumen Output

Nominal Lumens	Wattage*	CCT
300	2.5	3500K

*Actual Wattage/Lumens may vary.


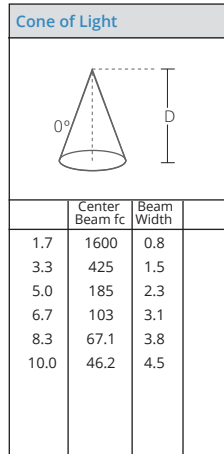
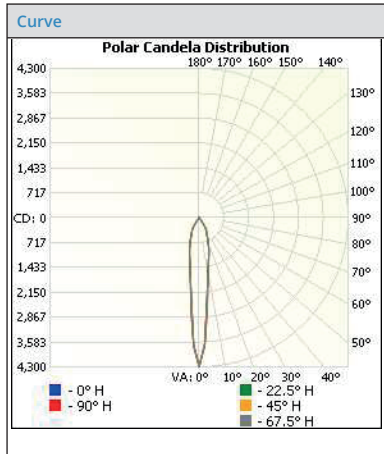
Dim-to-Warm Performance

Nominal Lumens	100%				1%			
	Wattage	CCT	CRI	R9	Wattage	CCT	CRI	R9
700	9.7	3100	95	85	2.9	1800	95	85
1300	13.2	3100	95	85	3.3	1800	95	85
2000	20.3	3100	95	85	3.8	1800	95	85

Photometrics

15° Distribution

Test Number
 PHM-RPT-171026-D01
Model
 V4CRRU-1335K-N
Lumens
 1483.32
Efficacy
 108.50914
SC
 0.9875


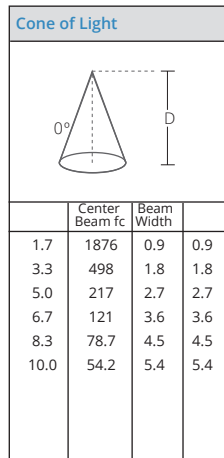
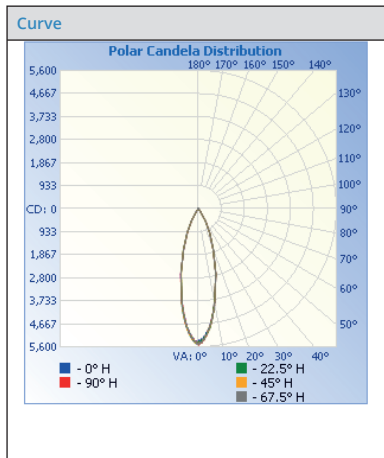



Degrees Vertical	Candela
0.0	4624
5.0	4072
10.0	2937
15.0	1923
20.0	1270
25.0	836
30.0	456
35.0	122
40.0	43
45.0	25
50.0	16
55.0	14
60.0	11
65.0	8
70.0	8
75.0	8
80.0	8
85.0	8
90.0	9

Zone	Lumens	% Luminaire
0-30	1263.7	85.2
0-40	1375.0	92.7
10-60	1407.4	94.9
60-90	24.6	1.7
0-90	1432.0	96.5
90-180	51.4	0.0
0-180	1483.3	100

30° Distribution

Test Number
 PHM-RPT-171026-D08
Model
 V4CRRU-2035K-M
Lumens
 1944.55
Efficacy
 92.42
SC
 0.9953


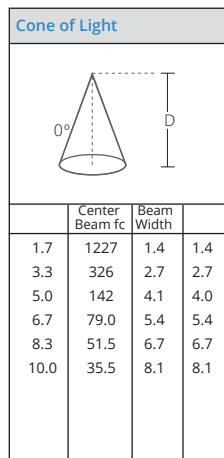
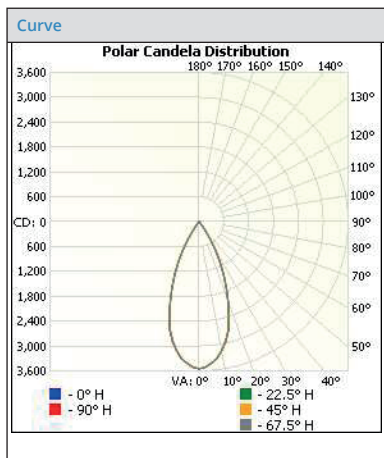



Degrees Vertical	Candela
0.0	5422
5.0	4905
10.0	3832
15.0	2733
20.0	1752
25.0	1085
30.0	581
35.0	155
40.0	56
45.0	33
50.0	20
55.0	14
60.0	12
65.0	9
70.0	10
75.0	8
80.0	8
85.0	8
90.0	9

Zone	Lumens	% Luminaire
0-30	1680.2	86.4
0-40	1817.7	93.5
10-60	1857.8	95.5
60-90	27.9	1.4
0-90	1885.5	97.0
90-180	58.8	3.0
0-180	1944.6	100.0

45° Distribution

Test Number
 103233437CART-013
Model
 V4CRRU-2035K-W
Lumens
 1908.5
Efficacy
 97.4
SC
 0.992

Degrees Vertical	Candela
0.0	3546
5.0	3417
10.0	3152
15.0	2719
20.0	2046
25.0	1394
30.0	798
35.0	260
40.0	75
45.0	27
50.0	9
55.0	1
60.0	0
65.0	0
70.0	0
75.0	0
80.0	0
85.0	0
90.0	0

Zone	Lumens	% Luminaire
0-30	1682.1	88.1
0-40	1881.8	98.6
10-60	1908.5	100.0
60-90	0.0	0.0
0-90	1908.5	100.0
90-180	0.0	0.0
0-180	1908.5	100.0

CAPELA Lumen Output Multipliers					
CRI	MULTIPLIER	KELVIN	MULTIPLIER	FINISH	MULTIPLIER
80	1	4000K	1.036	SCL	1
90	0.82	3500K	1	SGC	0.95
		3000K	0.974	WHT	0.87
		2700K	0.94		