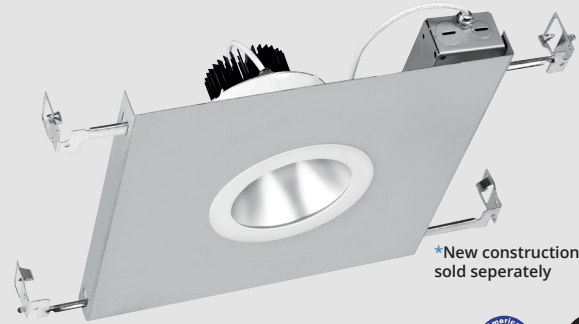


Catalog #	Quantity
Project	
Notes	Date
Prepared by	

4" LED/Capela

LED 4" Open Downlight, 700-3000 Lumens



2700K 3000K 3500K 4000K



Features

Optics

Soft glow clear, specular clear and white finishes
Efficient optical design
15, 30, and 45 degree beam spreads

Controls

0-10V to 1% driver standard
0-10V to 0.1% &, Lutron, & Triac/Forward phase optional

Construction

Self-flanged cold-rolled steel housing
Polyester powder coat
Torsion springs for maximum ceiling retention
Standard IC-rated up to 2,000 lumens
Optional new construction frame with quick connect

Electrical

High flux CoB array
80+ CRI standard, 90+ CRI optional
2700K, 3000K, 3500K, 4000K standard
High-performance Dim-to-Warm optional
70% lumen maintenance at 50,000 hours
Tested according to LM-79 and LM-80 standards
120 – 277V Universal Input standard

Listings

ETL certified to UL 1598 and UL 8750 requirements
Energy Star certified
Suitable for damp locations; Wet location under covered ceiling;
Not recommended for outdoor use
Buy American Act

Warranty

5-year limited warranty. Complete warranty terms located at:
<http://vantageltg.com/product-warranty/>

Ordering Information

EXAMPLE: V4COR-2030K-L4070-SGC-M-WHT

Series/Source	Voltage	Nominal Lumens	Kelvin	Reflector	Finish	Distribution	Flange Color	Frame	Options
V4COR 4" round, Open	U - 120V-277V 1 - 120 Volts ¹ 3 - 347 Volts ³	-07 - 700 -13 - 1300 -20 - 2000 -30 - 3000	27K - 2700K 30K - 3000K 35K - 3500K 40K - 4000K DTW - Dim- to-Warm	L4070	SCL SGC WHT	N M W	WHT BLK	NCFQAQ <i>New Construction Frame w/ Advanced QuickConnect RMDL Remodeler</i>	DL-2 ² DL-3 ² EM ² HCR LDE1 ² TDM ¹ XDM ²

Notes

¹TDM - available only in 120V

²Lutron Drivers - please consult factory

³Step-down Transformer

Kelvin Options

DTW - Dimmable
3000K to 1800K

Reflector Finish Options

SCL - Specular Clear
SGC - Soft Glow Clear
WHT - White Painted

Distribution Options

N - 15° Distribution
M - 30° Distribution
W - 45° Distribution

Frame

NCFQAQ - New Construction Frame w/ Advanced QuickConnect
RMDL - Remodeler

Options

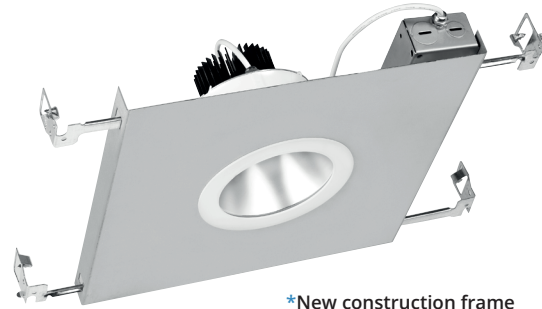
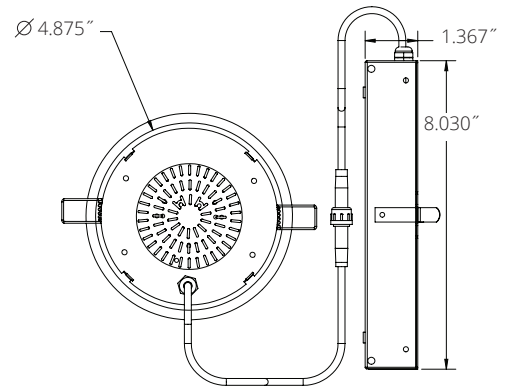
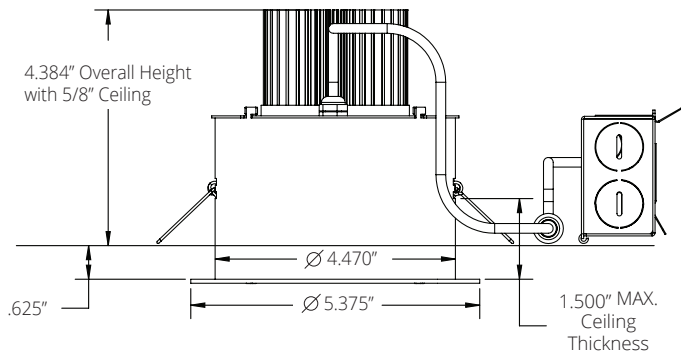
DL-2² - Lutron 2 wire HiLume Dimming Driver
DL-3² - Lutron 3 wire HiLume Dimming Driver
EM² - Emergency battery back-up. Remote test button & indicator Light

HCR - 90+ CRI
LDE1² - Lutron EcoSystem Fade-to-Black™
TDM¹ - Triac Dimming Driver (Forward Phase)
XDM² - 0-10V 0.1% Dimming

Vantage reserves the right to change components, finishes or design details in any manner which does not alter the installed appearance or reduce performance and intended function. | Capela™ is a trademark of Vantage Lighting.

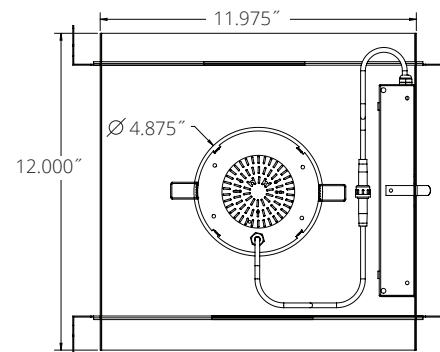
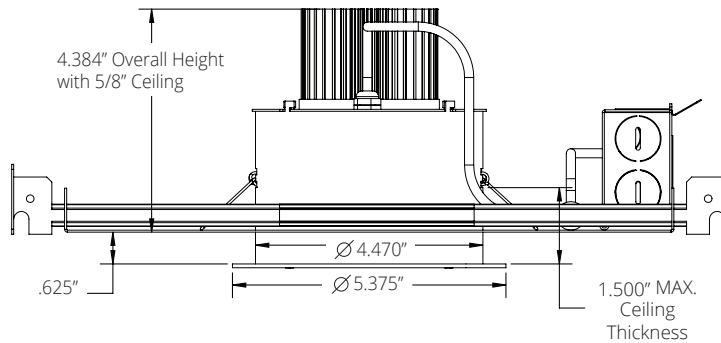
Dimensional Data: LED 4" Open Downlight

Ceiling Cut Out $\varnothing 4.875"$



*New construction frame sold separately

Ceiling Cut Out $\varnothing 4.875"$



Lumens/Wattage

Nominal Lumens	Wattage*	CCT
700	7.56	3500K
1300	12.7	3500K
2000	19.6	3500K
3000	27.4	3500K

All measured at 3500K
*Actual Wattage/Lumens may vary.

Emergency Lumen Output

Nominal Lumens	Wattage*	CCT
300	2.5	3500K

*Actual Wattage/Lumens may vary.


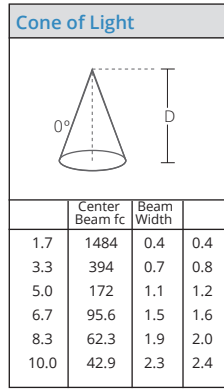
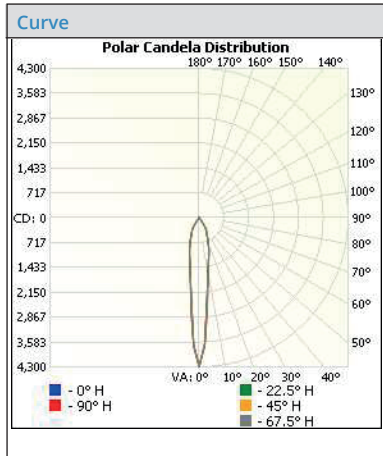
Dim-to-Warm Performance

Nominal Lumens	Wattage	100%			1%			
		CCT	CRI	R9	Wattage	CCT	CRI	R9
700	9.7	3100	95	85	2.9	1800	95	85
1300	13.2	3100	95	85	3.3	1800	95	85
2000	20.3	3100	95	85	3.8	1800	95	85

Photometrics

15° Distribution

Test Number
 103268734CRT-007
Model
 V4CORU-0735K-N
Lumens
 888.7
Efficacy
 95.5
SC
 0.936

Candela Table


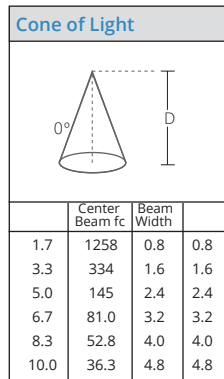
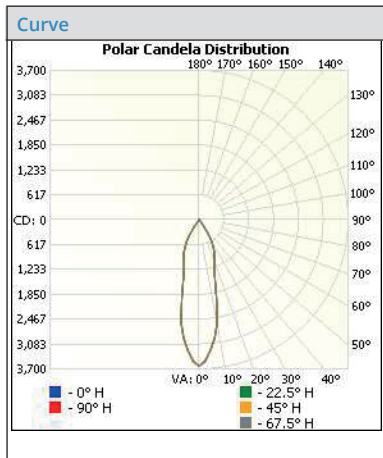
Degrees Vertical	Candela
0.0	4290
5.0	2511
10.0	1478
15.0	1083
20.0	768
25.0	523
30.0	410
35.0	142
40.0	24
45.0	5
50.0	4
55.0	8
60.0	8
65.0	5
70.0	4
75.0	2
80.0	1
85.0	0
90.0	0

Zonal Lumen Summary

Zone	Lumens	% Luminaire
0-30	763.2	85.9
0-40	868.1	97.7
10-60	880.2	99.0
60-90	8.5	1.0
0-90	888.7	100.0
90-180	0.0	0.0
0-180	888.7	100.0

30° Distribution

Test Number
 103268734CRT-006
Model
 V4CORU-1335K-M
Lumens
 1298.7
Efficacy
 97.3
SC
 0.963

Candela Table


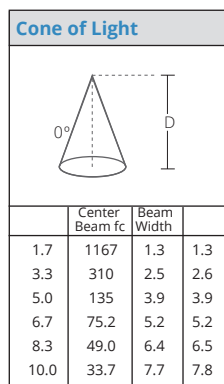
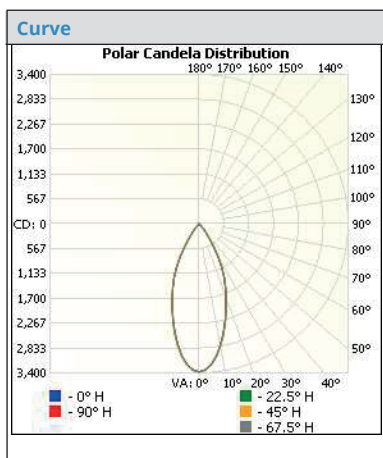
Degrees Vertical	Candela
0.0	3634
5.0	3246
10.0	2577
15.0	1514
20.0	1094
25.0	883
30.0	618
35.0	210
40.0	33
45.0	3
50.0	2
55.0	2
60.0	1
65.0	0
70.0	0
75.0	0
80.0	0
85.0	0
90.0	0

Zonal Lumen Summary

Zone	Lumens	% Luminaire
0-30	1130.7	87.1
0-40	1291.3	99.4
10-60	1298.4	100.0
60-90	0.0	0.0
0-90	1298.7	100.0
90-180	0.0	0.0
0-180	1298.7	100.0

45° Distribution

Test Number
 103268734CRT-008
Model
 V4CORU-2035K-W
Lumens
 1854.3
Efficacy
 92.2
SC
 0.992

Candela Table

Degrees Vertical	Candela
0.0	3374
5.0	3208
10.0	2803
15.0	2292
20.0	1778
25.0	1347
30.0	866
35.0	400
40.0	174
45.0	48
50.0	0
55.0	0
60.0	0
65.0	0
70.0	0
75.0	0
80.0	0
85.0	0
90.0	0

Zonal Lumen Summary

Zone	Lumens	% Luminaire
0-30	1538.2	83.0
0-40	1812.0	97.7
10-60	1854.3	100.0
60-90	0.0	0.0
0-90	1854.3	100.0
90-180	0.0	0.0
0-180	1854.3	100.0

CAPELA Lumen Output Multipliers

CRI	MULTIPLIER	KELVIN	MULTIPLIER	FINISH	MULTIPLIER
80	1	4000K	1.036	SCL	1
90	0.82	3500K	1	SGC	0.95
		3000K	0.974	WHT	0.87
		2700K	0.94		