

Catalog #	Quantity
Project	
Notes	Date
Prepared by	

# 4" LED/Capela

LED 4" Enclosed Micro Flange Downlight, 700-3000 Lumens



\*New construction frame sold separately

2700K 3000K 3500K 4000K



## Features

### Optics

- Specular clear finishes
- Efficient optical design
- 15, 30, and 45 degree beam spreads
- Frosted polycarbonate Prismatic polycarbonate lens

### Controls

- 0-10V to 1% driver standard
- 0-10V to 0.1% &, Lutron, & Triac/Forward phase optional

### Construction

- Self-flanged or micro-flanged cold-rolled steel housing
- Polyester powder coat
- Torsion springs for maximum ceiling retention
- Standard IC-rated up to 2,000 lumens
- Optional new construction frame with quick connect

### Electrical

- High flux CoB array
- 80+ CRI standard, 90+ CRI optional
- 2700K, 3000K, 3500K, 4000K standard
- High-performance Dim-to-Warm optional
- 70% lumen maintenance at 50,000 hours
- Tested according to LM-79 and LM-80 standards
- 120 - 277V Universal Input standard

### Listings

- ETL certified to UL 1598 and UL 8750 requirements
- Energy Star certified
- Suitable for damp locations; Wet location under covered ceiling;
- Not recommended for outdoor use
- Buy American Act

### Warranty

- 5-year limited warranty. Complete warranty terms located at: <http://vantageltg.com/product-warranty/>

## Ordering Information

EXAMPLE: V4CERM-2030K-L4071FR-SCL-MD-WHT

Series/Source	Voltage	Nominal Lumens	Kelvin	Reflector	Finish	Distribution	Flange Color	Frame	Options
V4CERM 4" round, Enclosed Micro Flange	U - 120V-277V 1 - 120 Volts <sup>1</sup> 3 - 347 Volts <sup>3</sup>	-07 - 700 -13 - 1300 -20 - 2000 -30 - 3000	27K - 2700K 30K - 3000K 35K - 3500K 40K - 4000K DTW - Dim- to-Warm	L4071FR L4074P	SCL	N M W	WHT BLK	NCFAQ <i>New Construction Frame w/ Advanced QuickConnect RMDL Remodeler</i>	DL-2 <sup>2</sup> DL-3 <sup>2</sup> EM <sup>2</sup> HCR LDE1 <sup>2</sup> TDM <sup>1</sup> XDM <sup>2</sup>

### Notes

- <sup>1</sup>TDM - available only in 120V
- <sup>2</sup>Lutron Drivers - please consult factory
- <sup>3</sup>Step-down Transformer

### Kelvin Options

- DTW - Dimmable 3000K to 1800K

### Lens Options

- 1FR - Frosted Polycarbonate
- 4P - Prismatic Polycarbonate

### Reflector Finish Options

- SCL - Specular Clear

### Distribution Options

- N - 15° Distribution
- M - 30° Distribution
- W - 45° Distribution

### Frame

- NCFAQ - New Construction Frame w/ Advanced QuickConnect
- RMDL - Remodeler

### Options

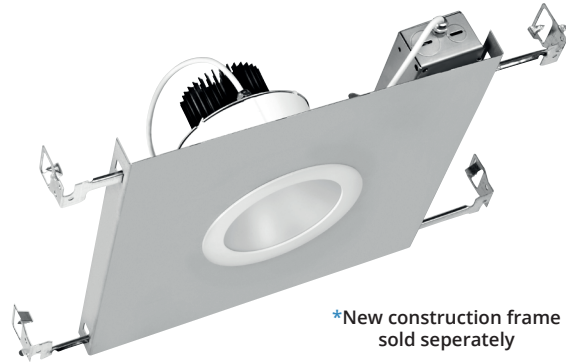
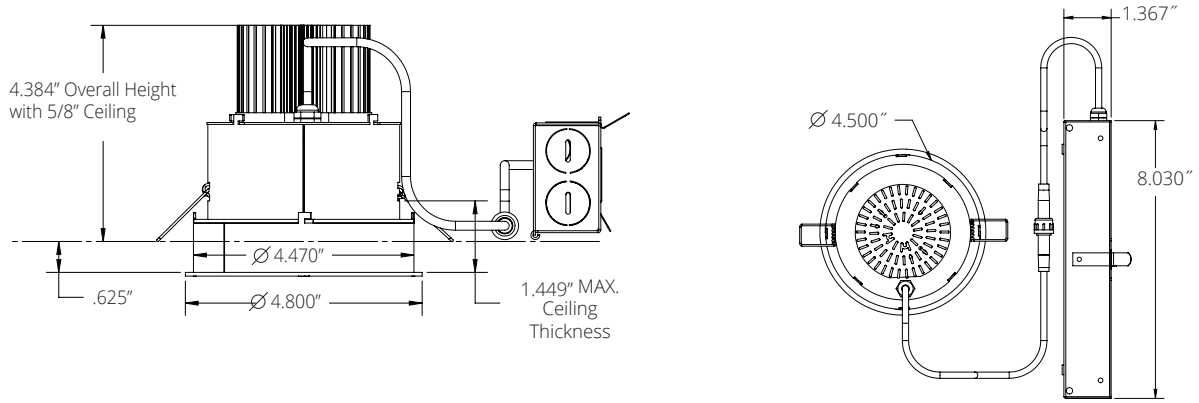
- DL-2<sup>2</sup> - Lutron 2 wire HiLume Dimming Driver
- DL-3<sup>2</sup> - Lutron 3 wire HiLume Dimming Driver
- EM<sup>2</sup> - Emergency battery back-up. Remote test button & indicator Light

- HCR - 90+ CRI
- LDE1<sup>2</sup> - Lutron EcoSystem Fade-to-Black™
- TDM<sup>1</sup> - Triac Dimming Driver (Forward Phase)
- XDM<sup>2</sup> - 0-10V 0.1% Dimming

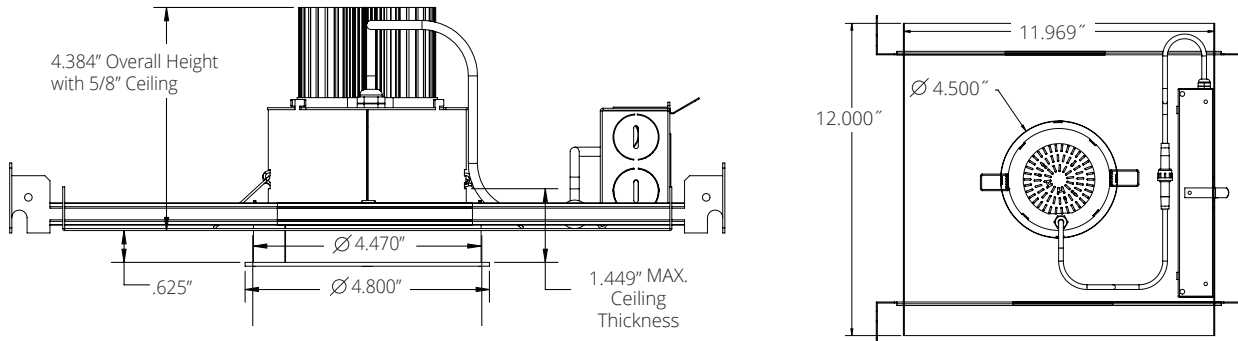
Vantage reserves the right to change components, finishes or design details in any manner which does not alter the installed appearance or reduce performance and intended function. | Capela™ is a trademark of Vantage Lighting.

# Dimensional Data: LED 4" Enclosed Micro Flange Downlight

Ceiling Cut Out 4.500"



Ceiling Cut Out 4.500"



## Lumens/Wattage

Nominal Lumens	Wattage*	CCT
700	7.56	3500K
1300	12.7	3500K
2000	19.6	3500K
3000	27.4	3500K

*All measured at 3500K  
\*Actual Wattage/Lumens may vary.*

## Emergency Lumen Output

Nominal Lumens	Wattage*	CCT
300	2.5	3500K

*\*Actual Wattage/Lumens may vary.*


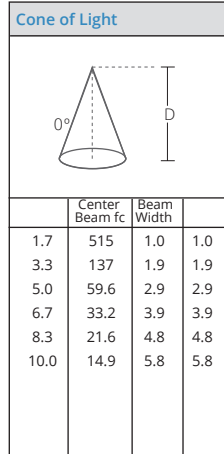
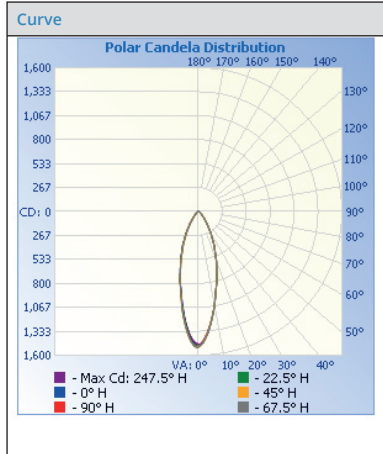
## Dim-to-Warm Performance

Nominal Lumens	100%					1%			
	Wattage	CCT	CRI	R9	Wattage	CCT	CRI	R9	
700	9.7	3100	95	85	2.9	1800	95	85	
1300	13.2	3100	95	85	3.3	1800	95	85	
2000	20.3	3100	95	85	3.8	1800	95	85	

# Photometrics

## 15° Distribution

**Test Number**  
 PHM-RPT-171110-D14  
**Model**  
 V4CERU-0735K-N  
**Lumens**  
 764.24  
**Efficacy**  
 76.96  
**SC**  
 0.9956


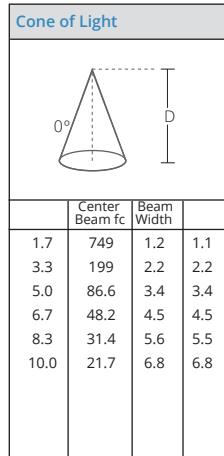
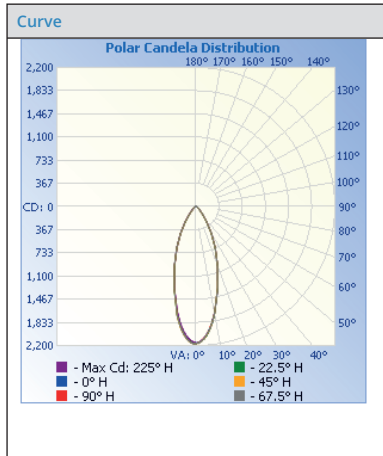



Degrees Vertical	Candela
0.0	1489
5.0	1323
10.0	1045
15.0	791
20.0	583
25.0	413
30.0	274
35.0	165
40.0	96
45.0	57
50.0	38
55.0	28
60.0	22
65.0	18
70.0	14
75.0	11
80.0	9
85.0	5
90.0	2

Zone	Lumens	% Luminaire
0-30	526.4	68.9
0-40	635.3	83.1
10-60	712.3	93.2
60-90	36.5	4.8
0-90	748.8	98.0
90-180	15.4	2.0
0-180	764.2	100.0

## 30° Distribution

**Test Number**  
 PHM-RPT-171110-D12  
**Model**  
 V4CERU-1335K-M  
**Lumens**  
 1277.64  
**Efficacy**  
 94.92  
**SC**  
 0.9089

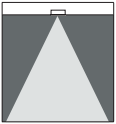
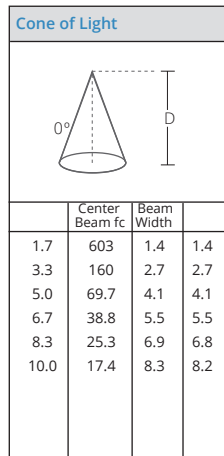
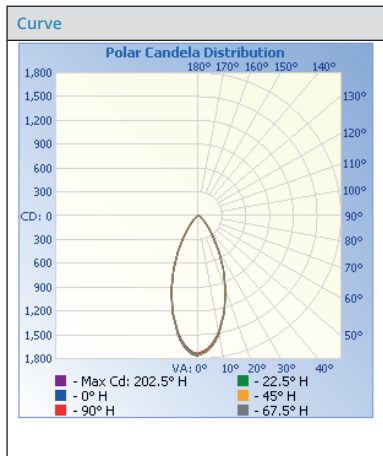



Degrees Vertical	Candela
0.0	2165
5.0	2018
10.0	1705
15.0	1333
20.0	998
25.0	721
30.0	485
35.0	298
40.0	173
45.0	102
50.0	65
55.0	45
60.0	34
65.0	26
70.0	20
75.0	15
80.0	11
85.0	8
90.0	3

Zone	Lumens	% Luminaire
0-30	880.9	68.9
0-40	1075.1	84.1
10-60	1204.3	94.3
60-90	51.5	4.0
0-90	1255.8	98.3
90-180	21.9	1.7
0-180	1277.6	100.0

## 45° Distribution

**Test Number**  
 PHM-RPT-171110-D13  
**Model**  
 V4CERU-1335K-W  
**Lumens**  
 1257.93  
**Efficacy**  
 93.59  
**SC**  
 0.9041

Degrees Vertical	Candela
0.0	1743
5.0	1673
10.0	1504
15.0	1261
20.0	1001
25.0	743
30.0	507
35.0	322
40.0	194
45.0	116
50.0	71
55.0	47
60.0	33
65.0	23
70.0	17
75.0	12
80.0	8
85.0	6
90.0	3

Zone	Lumens	% Luminaire
0-30	839.5	66.7
0-40	1050.0	83.5
10-60	1294.8	95.0
60-90	41.3	3.3
0-90	1236.1	98.3
90-180	21.9	1.7
0-180	1257.9	100.0

### CAPELA Lumen Output Multipliers

CRI	MULTIPLIER	KELVIN	MULTIPLIER	FINISH	MULTIPLIER
80	1	4000K	1.036	SCL	1
90	0.82	3500K	1	SGC	0.95
		3000K	0.974	WHT	0.87
		2700K	0.94		