

Catalog #	Quantity
Project	
Notes	Date
Prepared by	



\*New construction frame sold separately

2700K 3000K 3500K 4000K



# 4" LED/Capela

LED 4" Enclosed Adjustable Downlight, 700-1300 Lumens

## Features

### Optics

Soft glow clear, specular clear and white finishes  
Efficient optical design  
15, 30, and 45 degree beam spreads  
Frosted polycarbonate regressed lens

### Controls

0-10V to 1% driver standard  
0-10V to 0.1% &, Lutron, & Triac/Forward phase optional

### Construction

Self-flanged cold-rolled steel housing  
Polyester powder coat  
Torsion springs for maximum ceiling retention  
Standard IC-rated up to 2,000 lumens  
Optional new construction frame with quick connect

### Electrical

High flux CoB array  
80+ CRI standard, 90+ CRI optional  
2700K, 3000K, 3500K, 4000K standard  
High-performance Dim-to-Warm optional  
70% lumen maintenance at 50,000 hours  
Tested according to LM-79 and LM-80 standards  
120 - 277V Universal Input standard

### Listings

ETL certified to UL 1598 and UL 8750 requirements  
Energy Star certified  
Suitable for damp locations; Wet location under covered ceiling;  
Not recommended for outdoor use  
Buy American Act

### Warranty

5-year limited warranty. Complete warranty terms located at:  
<http://vantageltg.com/product-warranty/>

## Ordering Information

EXAMPLE: V4CERADJ-1330K-L2071FR-SGC-N-WHT

Series/Source	Voltage	Nominal Lumens	Kelvin	Reflector	Finish	Distribution	Flange Color	Frame	Options
V4CERADJ 4" round, Enclosed Adjustable	U - 120V-277V 1 - 120 Volts <sup>1</sup> 3 - 347 Volts <sup>3</sup>	-07 - 700 -13 - 1300	27K - 2700K 30K - 3000K 35K - 3500K 40K - 4000K DTW - Dim- to-Warm	L2071FR L2074P	SCL	N M W	WHT BLK	NCFAQ <i>New Construction Frame w/ Advanced QuickConnect RMDL Remodeler</i>	DL-2 <sup>2</sup> DL-3 <sup>2</sup> EM <sup>2</sup> HCR LDE1 <sup>2</sup> TDM <sup>1</sup> XDM <sup>2</sup>

### Notes

<sup>1</sup>TDM - available only in 120V  
<sup>2</sup>Lutron Drivers - please consult factory  
<sup>3</sup>Step-down Transformer

### Kelvin Options

DTW - Dimmable  
3000K to 1800K

### Lens Options

1FR - Frosted Polycarbonate  
4P - Prismatic Polycarbonate

### Reflector Finish Options

SCL - Specular  
Clear

### Distribution Options

N - 15°  
Distribution  
M - 30°  
Distribution  
W - 45°  
Distribution

### Frame

NCFAQ - New Construction Frame w/ Advanced QuickConnect  
RMDL - Remodeler

### Options

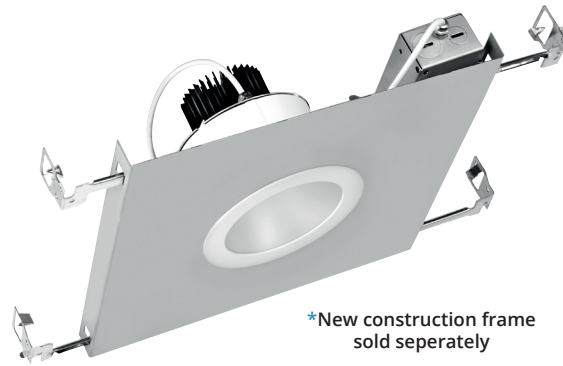
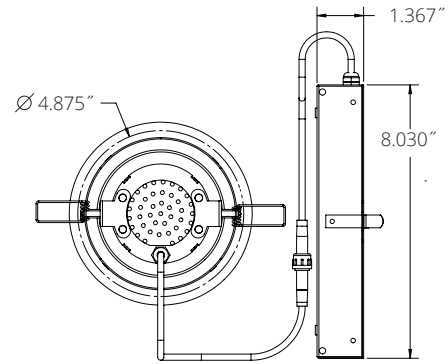
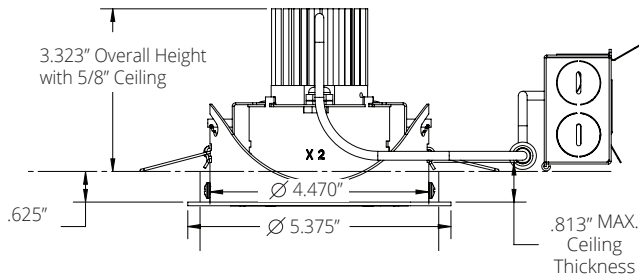
DL-2<sup>2</sup> - Lutron 2 wire HiLume Dimming Driver  
DL-3<sup>2</sup> - Lutron 3 wire HiLume Dimming Driver  
EM<sup>2</sup> - Emergency battery back-up. Remote test button & indicator Light

HCR - 90+ CRI  
LDE1<sup>2</sup> - Lutron EcoSystem Fade-to-Black™  
TDM<sup>1</sup> - Triac Dimming Driver (Forward Phase)  
XDM<sup>2</sup> - 0-10V 0.1% Dimming

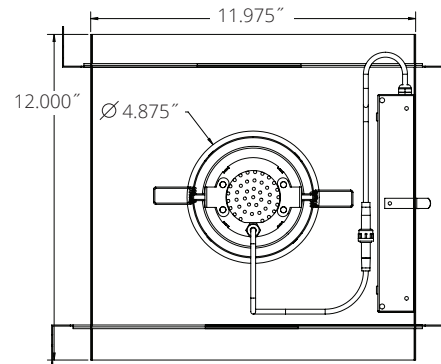
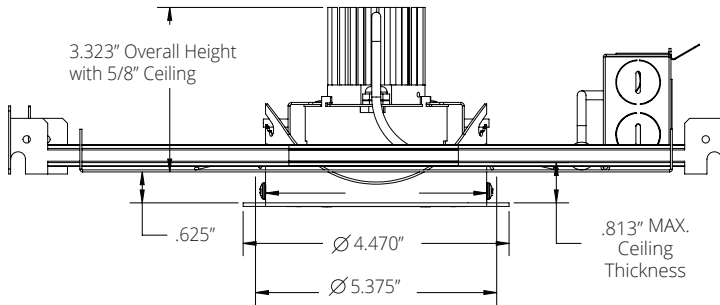
Vantage reserves the right to change components, finishes or design details in any manner which does not alter the installed appearance or reduce performance and intended function. | Capela™ is a trademark of Vantage Lighting.

# Dimensional Data: LED 4" Enclosed Adjustable Downlight

Ceiling Cut Out 4.875"



Ceiling Cut Out 4.875"



## Lumens/Wattage

Nominal Lumens	Wattage*	CCT
700	7.56	3500K
1300	12.7	3500K

*\*Actual Wattage/Lumens may vary.*

## Emergency Lumen Output

Nominal Lumens	Wattage*	CCT
300	2.5	3500K

*\*Actual Wattage/Lumens may vary.*


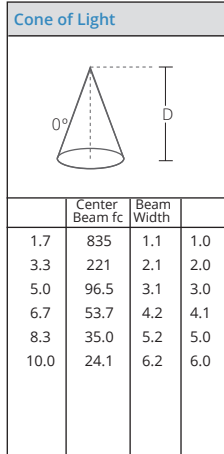
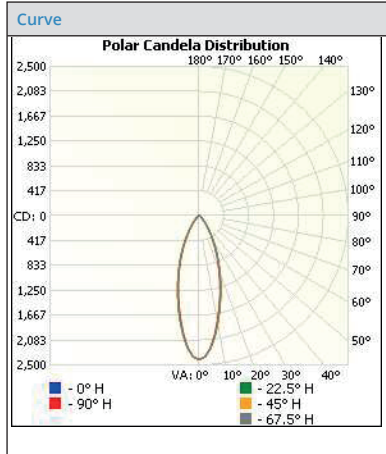
## Dim-to-Warm Performance

Nominal Lumens	Wattage	100%			1%			
		CCT	CRI	R9	Wattage	CCT	CRI	R9
700	9.7	3100	95	85	2.9	1800	95	85
1300	13.2	3100	95	85	3.3	1800	95	85

# Photometrics

## 15° Distribution

**Test Number**  
 103233437CRT-012  
**Model**  
 V2CERU-1335-N  
**Lumens**  
 1238.4  
**Efficacy**  
 90.0  
**SC**  
 0.989


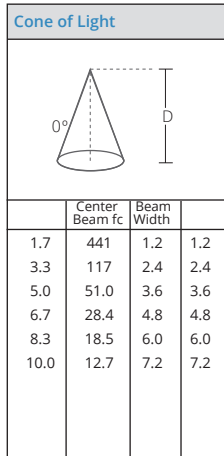
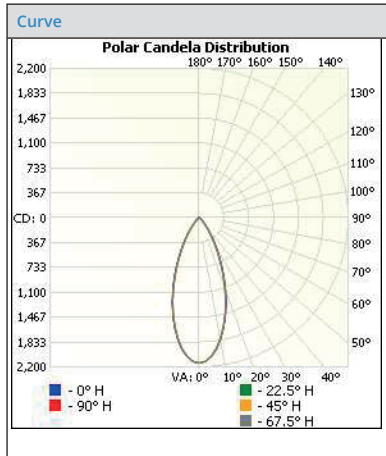



Degrees Vertical	Candela
0.0	2412
5.0	2224
10.0	1806
15.0	1386
20.0	1014
25.0	707
30.0	461
35.0	281
40.0	165
45.0	98
50.0	62
55.0	42
60.0	31
65.0	24
70.0	18
75.0	14
80.0	10
85.0	6
90.0	0

Zone	Lumens	% Luminaire
0-30	900.7	72.7
0-40	1078.0	87.0
10-60	1195.3	96.5
60-90	43.1	3.5
0-90	1238.4	100.0
90-180	0.0	0.0
0-180	1238.4	100.0

## 30° Distribution

**Test Number**  
 103233437CRT-008  
**Model**  
 V2CERU-1335K-M  
**Lumens**  
 1248.7  
**Efficacy**  
 89.8  
**SC**  
 0.989

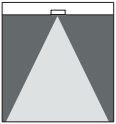
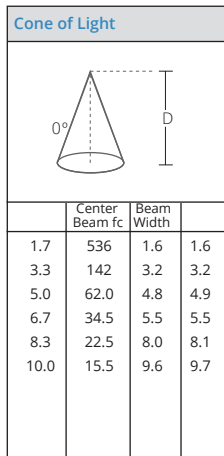
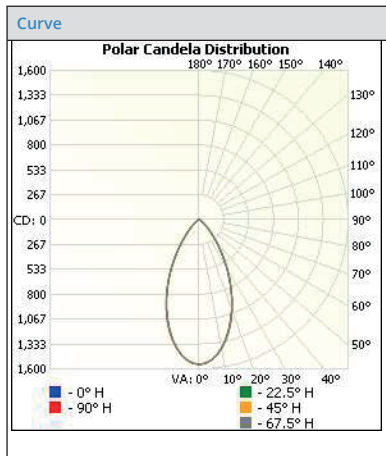



Degrees Vertical	Candela
0.0	1274
5.0	1227
10.0	1092
15.0	885
20.0	625
25.0	352
30.0	140
35.0	19
40.0	8
45.0	4
50.0	1
55.0	0
60.0	0
65.0	0
70.0	0
75.0	0
80.0	0
85.0	0
90.0	0

Zone	Lumens	% Luminaire
0-30	850.4	65.0
0-40	1104.2	84.4
10-60	1274.1	97.4
60-90	33.9	2.6
0-90	1308.0	100.0
90-180	0.0	0.0
0-180	1308.0	100.0

## 45° Distribution

**Test Number**  
 103233437CRT-008  
**Model**  
 V2CERU-1335K-W  
**Lumens**  
 1308.0  
**Efficacy**  
 94.7  
**SC**  
 0.989

Degrees Vertical	Candela
0.0	1550
5.0	1507
10.0	1392
15.0	1224
20.0	1020
25.0	807
30.0	591
35.0	393
40.0	240
45.0	138
50.0	78
55.0	46
60.0	28
65.0	19
70.0	13
75.0	8
80.0	4
85.0	2
90.0	0

Zone	Lumens	% Luminaire
0-30	514.9	94.8
0-40	539.7	99.4
10-60	543.1	100.0
60-90	0.0	0.0
0-90	543.1	100.1
90-180	0.0	0.0
0-180	543.1	100.0

### CAPELA Lumen Output Multipliers

CRI	MULTIPLIER	KELVIN	MULTIPLIER	FINISH	MULTIPLIER
80	1	4000K	1.036	SCL	1
90	0.82	3500K	1	SGC	0.95
		3000K	0.974	WHT	0.87
		2700K	0.94		