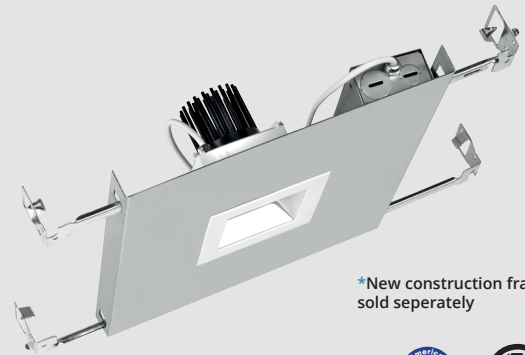


Catalog #	Quantity
Project	
Notes	Date
Prepared by	

# 3" LED/Capela

LED 3" Square Regressed Lens Downlight, 700-1300 Lumens



\*New construction frame sold separately

2700K 3000K 3500K 4000K



## Features

### Optics

Soft glow clear, specular clear and white finishes  
Efficient optical design  
15, 30, and 45 degree beam spreads  
Frosted polycarbonate regressed lens

### Controls

0-10V to 1% driver standard  
0-10V to 0.1% &, Lutron, & Triac/Forward phase optional

### Construction

Self-flanged cold-rolled steel housing  
Polyester powder coat  
Torsion springs for maximum ceiling retention  
Standard IC-rated up to 2,000 lumens  
Optional new construction frame with quick connect

### Electrical

High flux CoB array  
80+ CRI standard, 90+ CRI optional  
2700K, 3000K, 3500K, 4000K standard  
High-performance Dim-to-Warm optional  
70% lumen maintenance at 50,000 hours  
Tested according to LM-79 and LM-80 standards  
120 – 277V Universal Input standard

### Listings

ETL certified to UL 1598 and UL 8750 requirements  
Energy Star certified  
Suitable for damp locations; Wet location under covered ceiling;  
Not recommended for outdoor use  
Buy American Act

### Warranty

5-year limited warranty. Complete warranty terms located at:  
<http://vantageltg.com/product-warranty/>

## Ordering Information

EXAMPLE: V3CRS1-1300K-S3040-SGC-W-WHT

Series/Source	Voltage	Nominal Lumens	Kelvin	Reflector	Finish	Distribution	Flange Color	Frame	Options
V3CRS 3" square, Regressed	U - 120V-277V 1 - 120 Volts <sup>1</sup> 3 - 347 Volts <sup>3</sup>	-07 - 700 -13 - 1300	27K - 2700K 30K - 3000K 35K - 3500K 40K - 4000K DTW - Dim- to-Warm	S3040	SCL SGC WHT	N M W	WHT BLK	NCFAQ <i>New Construction Frame w/ Advanced QuickConnect RMDL Remodeler</i>	DL-2 <sup>2</sup> DL-3 <sup>2</sup> EM <sup>2</sup> HCR LDE1 <sup>2</sup> TDM <sup>1</sup> XDM <sup>2</sup>

### Notes

<sup>1</sup>TDM - available only in 120V  
<sup>2</sup>Lutron Drivers - please consult factory  
<sup>3</sup>Step-down Transformer

### Kelvin Options

DTW - Dimmable  
3000K to 1800K

### Reflector Finish Options

SCL - Specular Clear  
SGC - Soft Glow Clear  
WHT - White Painted

### Distribution Options

N - 15° Distribution  
M - 30° Distribution  
W - 45° Distribution

### Frame

NCFAQ - New Construction Frame w/ Advanced QuickConnect  
RMDL - Remodeler

### Options

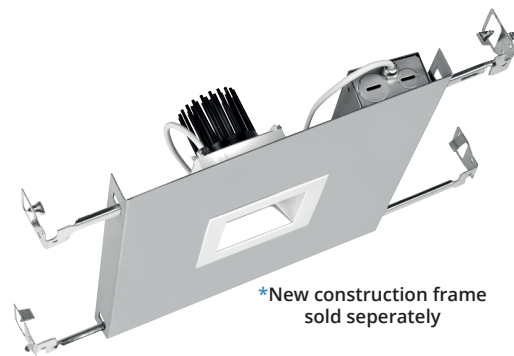
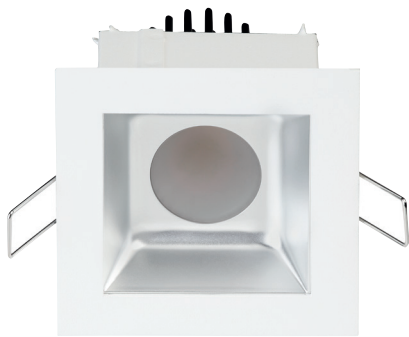
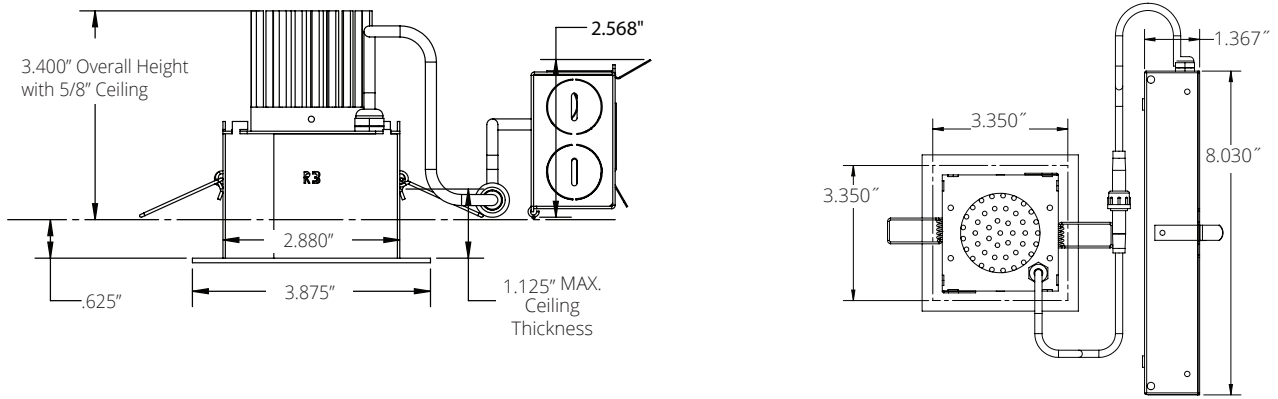
DL-2<sup>2</sup> - Lutron 2 wire HiLume Dimming Driver  
DL-3<sup>2</sup> - Lutron 3 wire HiLume Dimming Driver  
EM<sup>2</sup> - Emergency battery back-up. Remote test button & indicator Light

HCR - 90+ CRI  
LDE1<sup>2</sup> - Lutron EcoSystem Fade-to-Black™  
TDM<sup>1</sup> - Triac Dimming Driver (Forward Phase)  
XDM<sup>2</sup> - 0-10V 0.1% Dimming

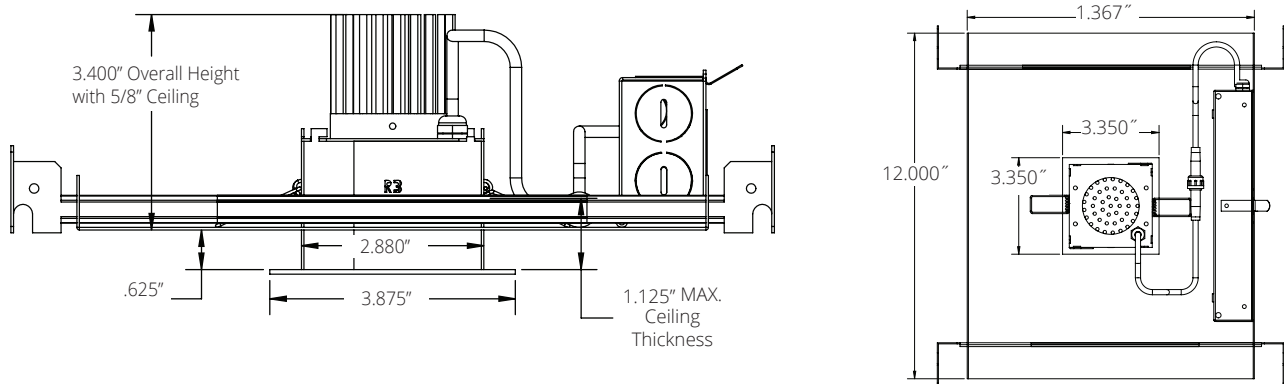
Vantage reserves the right to change components, finishes or design details in any manner which does not alter the installed appearance or reduce performance and intended function. | Capela™ is a trademark of Vantage Lighting.

# Dimensional Data: LED 3" Square Regressed Lens Downlight

Ceiling Cut Out 3.350" x 3.350" Square



Ceiling Cut Out 3.350x3.350" Square



## Lumens/Wattage

Nominal Lumens	Wattage*	CCT*
700	7.56	3500K
1300	12.7	3500K

*\*Actual Wattage/Lumens may vary.*

## Emergency Lumen Output

Nominal Lumens	Wattage*	CCT*
300	2.5	3500K

*\*Actual Wattage/Lumens may vary.*


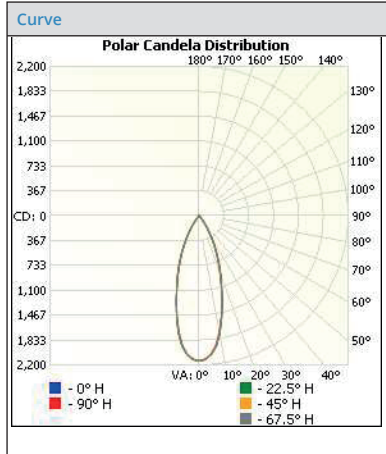
## Dim-to-Warm Performance

Nominal Lumens	Wattage	100%			1%			
		CCT	CRI	R9	Wattage	CCT	CRI	R9
700	9.7	3100	95	85	2.9	1800	95	85
1300	13.2	3100	95	85	3.3	1800	95	85

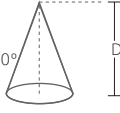
# Photometrics

## 15° Distribution

**Test Number**  
 103233437CRT-018  
**Model**  
 V3CRSU-0735K-N  
**Lumens**  
 955.5  
**Efficacy**  
 102.4  
**SC**  
 0.936

**Cone of Light**



	Center Beam fc	Beam Width		
1.7	741	1.1	1.1	
3.3	197	2.1	2.1	
5.0	85.6	3.2	3.2	
6.7	47.7	4.3	4.9	
8.3	31.1	5.3	5.4	
10.0	21.4	6.4	6.5	

**Candela Table**


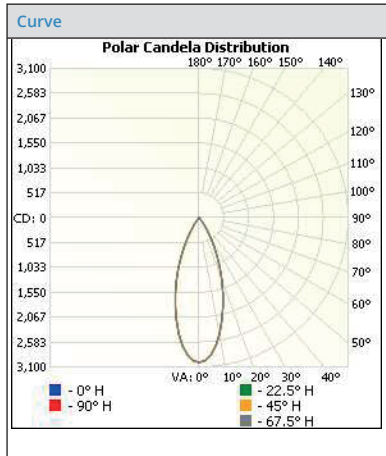
Degrees Vertical	Candela
0.0	2140
5.0	2055
10.0	1756
15.0	1306
20.0	912
25.0	602
30.0	346
35.0	158
40.0	50
45.0	18
50.0	8
55.0	4
60.0	0
65.0	0
70.0	0
75.0	0
80.0	0
85.0	0
90.0	0

**Zonal Lumen Summary**

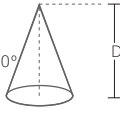
Zone	Lumens	% Luminaire
0-30	822.6	86.1
0-40	931.3	97.5
10-60	955.3	100.0
60-90	0.0	0.0
0-90	955.5	100.0
90-180	0.0	0.0
0-180	955.5	100.0

## 30° Distribution

**Test Number**  
 103268734CRT-005  
**Model**  
 V3CRSU-1335K-M  
**Lumens**  
 1340.2  
**Efficacy**  
 101.4  
**SC**  
 0.947

**Cone of Light**



	Center Beam fc	Beam Width		
1.7	1040	1.2	1.2	
3.3	276	2.3	2.3	
5.0	120	3.4	3.4	
6.7	66.9	4.6	4.5	
8.3	43.6	5.7	5.7	
10.0	30.1	5.8	6.8	

**Candela Table**


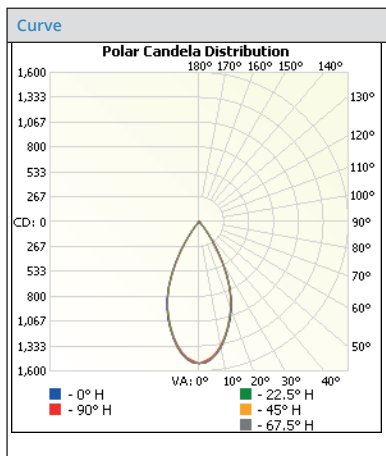
Degrees Vertical	Candela
0.0	3005
5.0	2852
10.0	2446
15.0	1915
20.0	1284
25.0	886
30.0	477
35.0	195
40.0	45
45.0	16
50.0	6
55.0	1
60.0	0
65.0	0
70.0	0
75.0	0
80.0	0
85.0	0
90.0	0

**Zonal Lumen Summary**

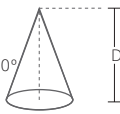
Zone	Lumens	% Luminaire
0-30	1186.6	88.5
0-40	1320.9	98.6
10-60	1340.2	100.0
60-90	0.0	0.0
0-90	1340.2	100.0
90-180	0.0	0.0
0-180	1340.2	100.0

## 45° Distribution

**Test Number**  
 103233437CRT-002  
**Model**  
 V3CRSU-1330K-W  
**Lumens**  
 994.2  
**Efficacy**  
 78.2  
**SC**  
 0.962

**Cone of Light**



	Center Beam fc	Beam Width		
1.7	525	1.6	1.6	
3.3	139	3.1	3.1	
5.0	60.7	4.7	4.7	
6.7	99.8	6.9	6.9	
8.3	22.0	7.9	7.8	
10.0	15.2	9.5	9.4	

**Candela Table**

Degrees Vertical	Candela
0.0	1518
5.0	1478
10.0	1358
15.0	1188
20.0	996
25.0	770
30.0	495
35.0	240
40.0	83
45.0	24
50.0	10
55.0	5
60.0	1
65.0	0
70.0	0
75.0	0
80.0	0
85.0	0
90.0	0

**Zonal Lumen Summary**

Zone	Lumens	% Luminaire
0-30	809.4	81.4
0-40	965.2	97.1
10-60	994.0	100.0
60-90	0.2	0.0
0-90	994.2	100.0
90-180	0.0	0.0
0-180	994.2	100.0

**CAPELA Lumen Output Multipliers**

CRI	MULTIPLIER	KELVIN	MULTIPLIER	FINISH	MULTIPLIER
80	1	4000K	1.036	SCL	1
90	0.82	3500K	1	SGC	0.95
		3000K	0.974	WHT	0.87
		2700K	0.94		