

Catalog #	Quantity
Project	
Notes	Date
Prepared by	



*New construction frame sold separately

3" LED/Capela

LED 3" Square Regressed Lens Micro Flange Downlight, 700-1300 Lumens

2700K 3000K 3500K 4000K



Features

Optics

Soft glow clear, specular clear and white finishes
Efficient optical design
15, 30, and 45 degree beam spreads
Frosted polycarbonate regressed lens

Controls

0-10V to 1% driver standard
0-10V to 0.1% &, Lutron, & Triac/Forward phase optional

Construction

Self-flanged or micro-flanged cold-rolled steel housing
Polyester powder coat
Torsion springs for maximum ceiling retention
Standard IC-rated up to 2,000 lumens
Optional new construction frame with quick connect

Electrical

High flux CoB array
80+ CRI standard, 90+ CRI optional
2700K, 3000K, 3500K, 4000K standard
High-performance Dim-to-Warm optional
70% lumen maintenance at 50,000 hours
Tested according to LM-79 and LM-80 standards
120 - 277V Universal Input standard

Listings

ETL certified to UL 1598 and UL 8750 requirements
Energy Star certified
Suitable for damp locations; Wet location under covered ceiling;
Not recommended for outdoor use Buy American Act

Warranty

5-year limited warranty. Complete warranty terms located at:
<http://vantageltg.com/product-warranty/>

Ordering Information

EXAMPLE: V3CRSM-0730K-S3040-SGC-N-WHT

Series/Source	Voltage	Nominal Lumens	Kelvin	Reflector	Finish	Distribution	Flange Color	Frame	Options
V3CRSM 3" square, Regressed Micro Flange	U - 120V-277V 1 - 120 Volts ¹ 3 - 347 Volts ³	-07 - 700 -13 - 1300	27K - 2700K 30K - 3000K 35K - 3500K 40K - 4000K DTW - Dim- to-Warm	S3040	SCL SGC WHT	N M W	WHT BLK	NCFAQ <i>New Construction Frame w/ Advanced QuickConnect RMDL Remodeler</i>	DL-2 ² DL-3 ² EM ² HCR LDE1 ² TDM ¹ XDM ²

Notes

¹TDM - available only in 120V
²Lutron Drivers - please consult factory
³Step-down Transformer

Kelvin Options

DTW - Dimmable
3000K to 1800K

Reflector Finish Options

SCL - Specular Clear
SGC - Soft Glow Clear
WHT - White Painted

Distribution Options

N - 15° Distribution
M - 30° Distribution
W - 45° Distribution

Frame

NCFAQ - New Construction Frame w/ Advanced QuickConnect
RMDL - Remodeler

Options

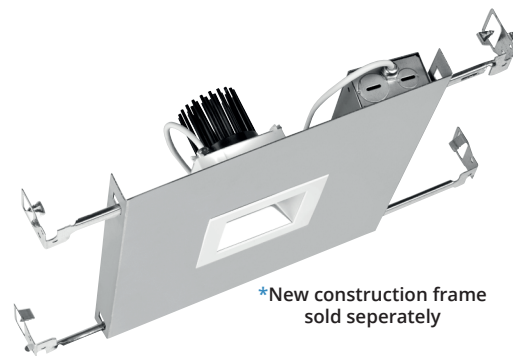
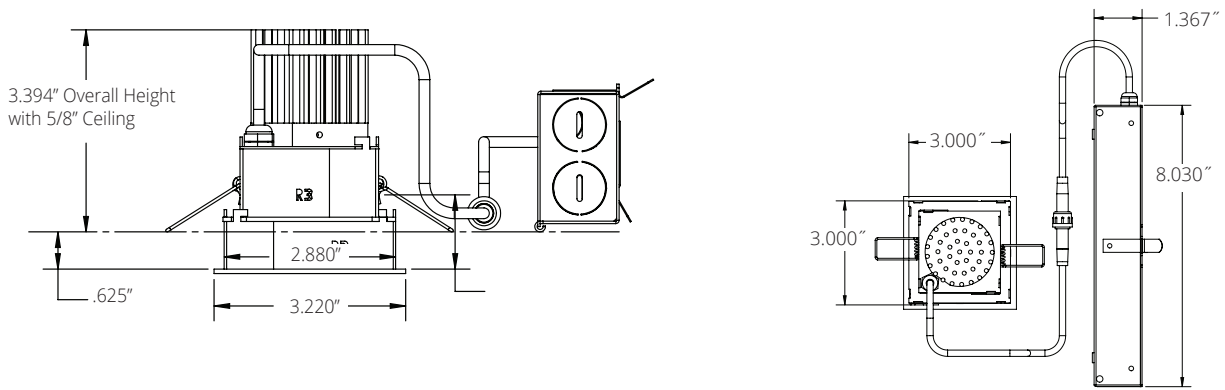
DL-2² - Lutron 2 wire HiLume Dimming Driver
DL-3² - Lutron 3 wire HiLume Dimming Driver
EM² - Emergency battery back-up. Remote test button & indicator Light

HCR - 90+ CRI
LDE1² - Lutron EcoSystem Fade-to-Black™
TDM¹ - Triac Dimming Driver (Forward Phase)
XDM² - 0-10V 0.1% Dimming

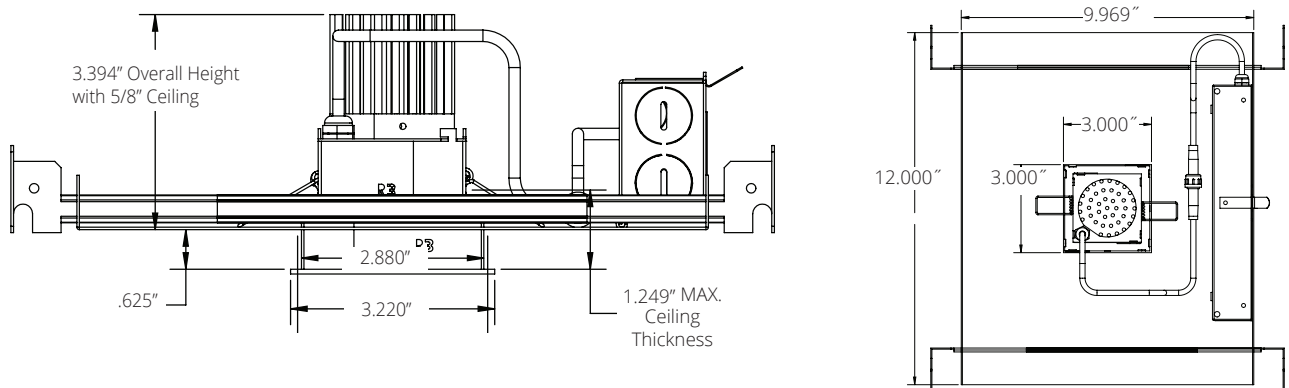
Vantage reserves the right to change components, finishes or design details in any manner which does not alter the installed appearance or reduce performance and intended function. | Capela™ is a trademark of Vantage Lighting.

Dimensional Data: LED 3" Square Regressed Lens Micro Flange Downlight

Ceiling Cut Out 3.000x3.000 Square"



Ceiling Cut Out 3.000x3.000" Square



Lumens/Wattage

Nominal Lumens	Wattage*	CCT*
700	7.56	3500K
1300	12.7	3500K

**Actual Wattage/Lumens may vary.*

Emergency Lumen Output

Nominal Lumens	Wattage*	CCT*
300	2.5	3500K

**Actual Wattage/Lumens may vary.*


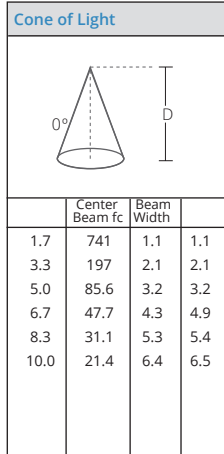
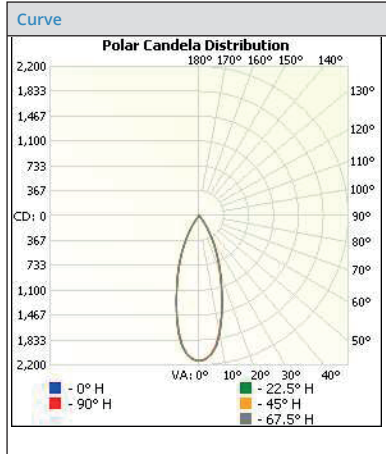
Dim-to-Warm Performance

Nominal Lumens	Wattage	100%			1%			
		CCT	CRI	R9	Wattage	CCT	CRI	R9
700	9.7	3100	95	85	2.9	1800	95	85
1300	13.2	3100	95	85	3.3	1800	95	85

Photometrics

15° Distribution

Test Number
 103233437CRT-018
Model
 V3CRSU-0735K-N
Lumens
 955.5
Efficacy
 102.4
SC
 0.936


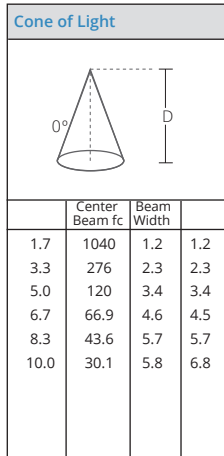
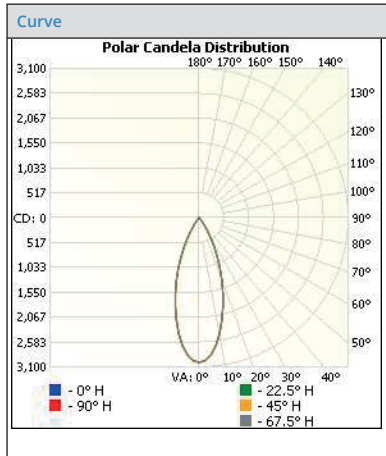



Degrees Vertical	Candela
0.0	2140
5.0	2055
10.0	1756
15.0	1306
20.0	912
25.0	602
30.0	346
35.0	158
40.0	50
45.0	18
50.0	8
55.0	4
60.0	0
65.0	0
70.0	0
75.0	0
80.0	0
85.0	0
90.0	0

Zone	Lumens	% Luminaire
0-30	822.6	86.1
0-40	931.3	97.5
10-60	955.3	100.0
60-90	0.0	0.0
0-90	955.5	100.0
90-180	0.0	0.0
0-180	955.5	100.0

30° Distribution

Test Number
 103268734CRT-005
Model
 V3CRSU-1335K-M
Lumens
 1340.2
Efficacy
 101.4
SC
 0.947

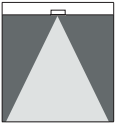
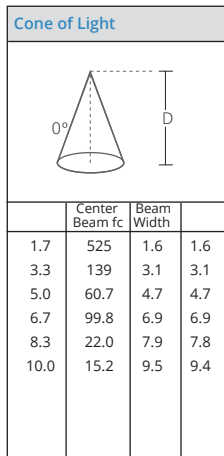
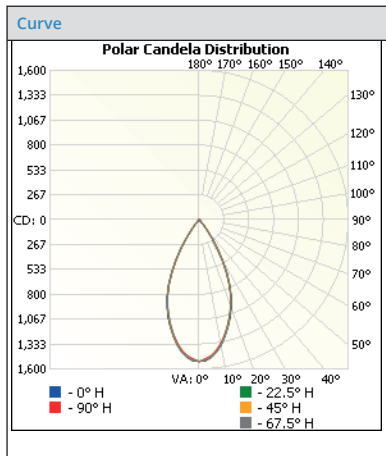



Degrees Vertical	Candela
0.0	3005
5.0	2852
10.0	2446
15.0	1915
20.0	1284
25.0	886
30.0	477
35.0	195
40.0	45
45.0	16
50.0	6
55.0	1
60.0	0
65.0	0
70.0	0
75.0	0
80.0	0
85.0	0
90.0	0

Zone	Lumens	% Luminaire
0-30	1186.6	88.5
0-40	1320.9	98.6
10-60	1340.2	100.0
60-90	0.0	0.0
0-90	1340.2	100.0
90-180	0.0	0.0
0-180	1340.2	100.0

45° Distribution

Test Number
 103233437CRT-002
Model
 V3CRSU-1330K-W
Lumens
 994.2
Efficacy
 78.2
SC
 0.962

Degrees Vertical	Candela
0.0	1518
5.0	1478
10.0	1358
15.0	1188
20.0	996
25.0	770
30.0	495
35.0	240
40.0	83
45.0	24
50.0	10
55.0	5
60.0	1
65.0	0
70.0	0
75.0	0
80.0	0
85.0	0
90.0	0

Zone	Lumens	% Luminaire
0-30	809.4	81.4
0-40	965.2	97.1
10-60	994.0	100.0
60-90	0.2	0.0
0-90	994.2	100.0
90-180	0.0	0.0
0-180	994.2	100.0

CAPELA Lumen Output Multipliers

CRI	MULTIPLIER	KELVIN	MULTIPLIER	FINISH	MULTIPLIER
80	1	4000K	1.036	SCL	1
90	0.82	3500K	1	SGC	0.95
		3000K	0.974	WHT	0.87
		2700K	0.94		