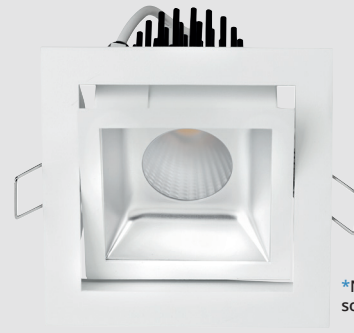


Catalog #	Quantity
Project	
Notes	Date
Prepared by	



*New construction frame sold separately

3" LED/Capela

LED 3" Square Regressed Adjustable Downlight, 700-1300 Lumens

2700K 3000K 3500K 4000K



Features

Optics

Soft glow clear, specular clear and white finishes
Efficient optical design
15, 30, and 45 degree beam spreads
Frosted polycarbonate regressed lens

Controls

0-10V to 1% driver standard
0-10V to 0.1% &, Lutron, & Triac/Forward phase optional

Construction

Self-flanged cold-rolled steel housing
Polyester powder coat
Torsion springs for maximum ceiling retention
Standard IC-rated up to 2,000 lumens
Optional new construction frame with quick connect

Electrical

High flux CoB array
80+ CRI standard, 90+ CRI optional
2700K, 3000K, 3500K, 4000K standard
High-performance Dim-to-Warm optional
70% lumen maintenance at 50,000 hours
Tested according to LM-79 and LM-80 standards
120 – 277V Universal Input standard

Listings

ETL certified to UL 1598 and UL 8750 requirements'
Energy Star certified
Suitable for damp locations; Wet location under covered ceiling;
Not recommended for outdoor use
Buy American Act

Warranty

5-year limited warranty. Complete warranty terms located at:
<http://vantageltg.com/product-warranty/>

Ordering Information

EXAMPLE: V3CRSADJ-2030K-S2040-SGC-W-WHT

Series/Source	Voltage	Nominal Lumens	Kelvin	Reflector	Finish	Distribution	Flange Color	Frame	Options
V3CRSADJ 3" square, Regressed Adjustable	U - 120V-277V 1 - 120 Volts ¹ 3 - 347 Volts ³	-07 - 700 -13 - 1300	27K - 2700K 30K - 3000K 35K - 3500K 40K - 4000K DTW - Dim- to-Warm	S2040	SCL SGC WHT	N M W	WHT BLK	NCFAQ <i>New Construction Frame w/ Advanced QuickConnect RMDL Remodeler</i>	DL-2 ² DL-3 ² EM ² HCR LDE1 ² TDM ¹ XDM ²

Notes

¹TDM - available only in 120V

²Lutron Drivers - please consult factory

³Step-down Transformer

Kelvin Options

DTW - Dimmable
3000K to 1800K

Reflector Finish Options

SCL - Specular Clear
SGC - Soft Glow Clear
WHT - White Painted

Distribution Options

N - 15° Distribution
M - 30° Distribution
W - 45° Distribution

Frame

NCFAQ - New Construction Frame w/ Advanced QuickConnect
RMDL - Remodeler

Options

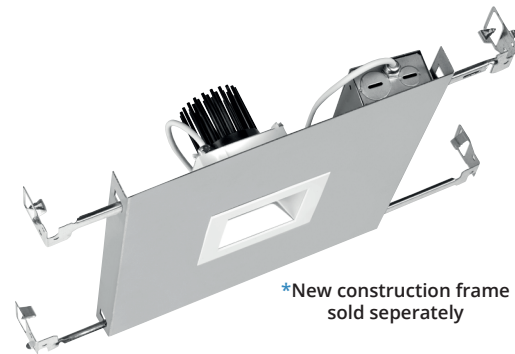
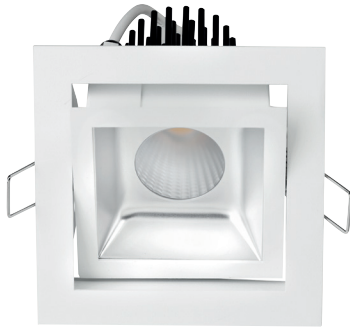
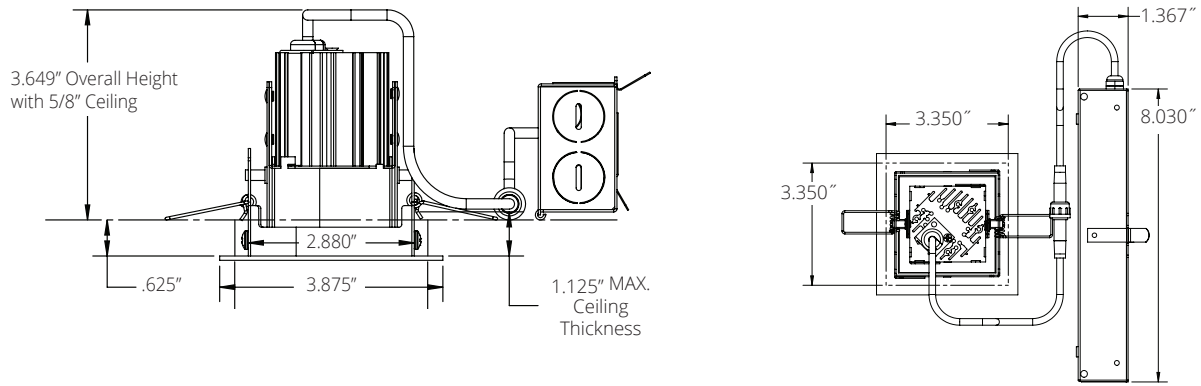
DL-2² - Lutron 2 wire HiLume Dimming Driver
DL-3² - Lutron 3 wire HiLume Dimming Driver
EM² - Emergency battery back-up. Remote test button & indicator Light

HCR - 90+ CRI
LDE1² - Lutron EcoSystem Fade-to-Black™
TDM¹ - Triac Dimming Driver (Forward Phase)
XDM² - 0-10V 0.1% Dimming

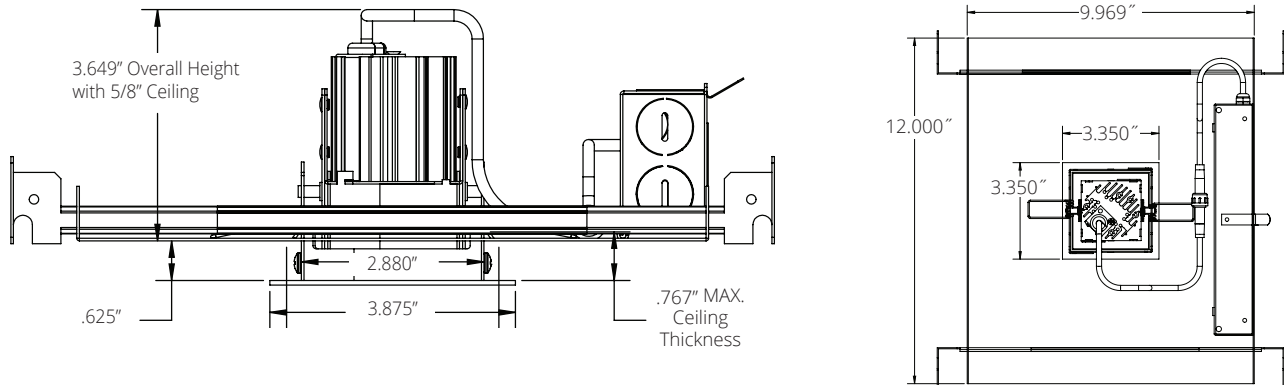
Vantage reserves the right to change components, finishes or design details in any manner which does not alter the installed appearance or reduce performance and intended function. | Capela™ is a trademark of Vantage Lighting.

Dimensional Data: LED 3" Square Regressed Adjustable Downlight

Ceiling Cut Out 3.350x3.350" Square



Ceiling Cut Out 3.350x3.350" Square



Lumens/Wattage

Nominal Lumens	Wattage*	CCT*
700	7.56	3500K
1300	12.7	3500K

*Actual Wattage/Lumens may vary.

Emergency Lumen Output

Nominal Lumens	Wattage*	CCT*
300	2.5	3500K

*Actual Wattage/Lumens may vary.


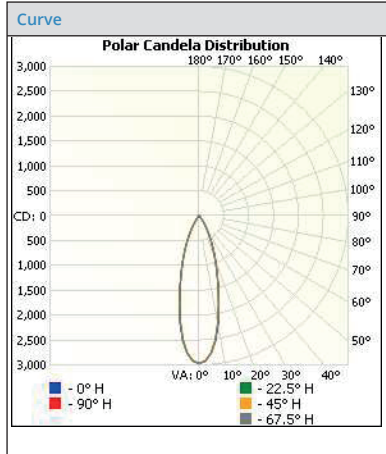
Dim-to-Warm Performance

Nominal Lumens	100%					1%			
	Wattage	CCT	CRI	R9	Wattage	CCT	CRI	R9	
700	9.7	3100	95	85	2.9	1800	95	85	
1300	13.2	3100	95	85	3.3	1800	95	85	

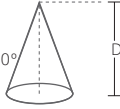
Photometrics

15° Distribution

Test Number
 103233437CRT-017
Model
 V2CRSU-1335K-N
Lumens
 1037.7
Efficacy
 76.4
SC
 0.971

Cone of Light



	Center Beam fc	Beam Width	
1.7	1027	0.9	0.9
3.3	273	1.8	1.8
5.0	199	2.7	2.7
6.7	66.1	3.6	3.6
8.3	43.1	4.5	4.5
10.0	29.7	5.4	5.4

Candela Table


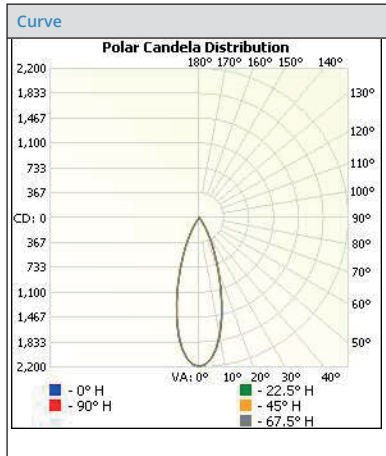
Degrees Vertical	Candela
0.0	2968
5.0	2773
10.0	2197
15.0	1496
20.0	967
25.0	585
30.0	308
35.0	135
40.0	47
45.0	26
50.0	21
55.0	14
60.0	9
65.0	0
70.0	0
75.0	0
80.0	0
85.0	0
90.0	0

Zonal Lumen Summary

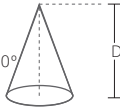
Zone	Lumens	% Luminaire
0-30	921.8	88.8
0-40	1014.7	97.8
10-60	1037.5	100.0
60-90	0.2	0.0
0-90	1037.7	100.0
90-180	0.0	0.0
0-180	1037.7	100.0

30° Distribution

Test Number
 103233437CRT-016
Model
 V2CRSU-0735K-M
Lumens
 829.6
Efficacy
 86.3
SC
 0.

Cone of Light



	Center Beam fc	Beam Width	
1.7	759	1.0	1.0
3.3	201	2.0	2.0
5.0	87.7	3.1	3.0
6.7	48.9	4.1	4.1
8.3	31.8	5.1	5.0
10.0	21.9	6.1	6.1

Candela Table

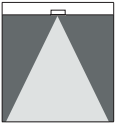
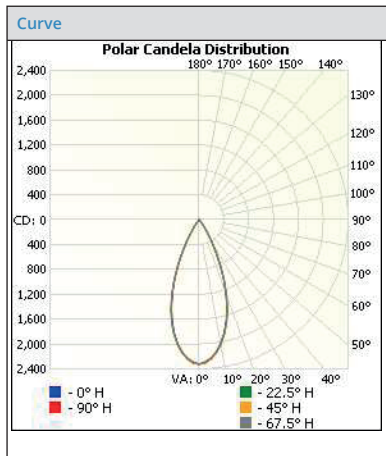
Degrees Vertical	Candela
0.0	2193
5.0	2080
10.0	1761
15.0	1289
20.0	829
25.0	481
30.0	237
35.0	90
40.0	19
45.0	7
50.0	2
55.0	0
60.0	0
65.0	0
70.0	0
75.0	0
80.0	0
85.0	0
90.0	0

Zonal Lumen Summary

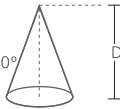
Zone	Lumens	% Luminaire
0-30	757.4	91.3
0-40	821.0	99.0
10-60	829.6	100.0
60-90	0.0	0.0
0-90	829.6	100.0
90-180	0.0	0.0
0-180	829.6	100.0

45° Distribution

Test Number
 103233437CRT-015
Model
 V2CRSU-1335K-W
Lumens
 1154.5
Efficacy
 85.7
SC
 0.972

Cone of Light



	Center Beam fc	Beam Width	
1.7	803	1.3	1.3
3.3	213	2.6	2.6
5.0	92.8	3.9	3.9
6.7	51.7	5.2	5.2
8.3	33.7	6.5	6.5
10.0	23.2	7.7	7.7

Candela Table

Degrees Vertical	Candela
0.0	2320
5.0	2241
10.0	2017
15.0	1686
20.0	1267
25.0	801
30.0	398
35.0	142
40.0	33
45.0	11
50.0	4
55.0	0
60.0	0
65.0	0
70.0	0
75.0	0
80.0	0
85.0	0
90.0	0

Zonal Lumen Summary

Zone	Lumens	% Luminaire
0-30	1038.8	90.0
0-40	1141.6	98.9
10-60	1154.4	100.0
60-90	0.0	0.0
0-90	1154.5	100.0
90-180	0.0	0.0
0-180	1154.4	100.0

CAPELA Lumen Output Multipliers

CRI	MULTIPLIER	KELVIN	MULTIPLIER	FINISH	MULTIPLIER
80	1	4000K	1.036	SCL	1
90	0.82	3500K	1	SGC	0.95
		3000K	0.974	WHT	0.87
		2700K	0.94		