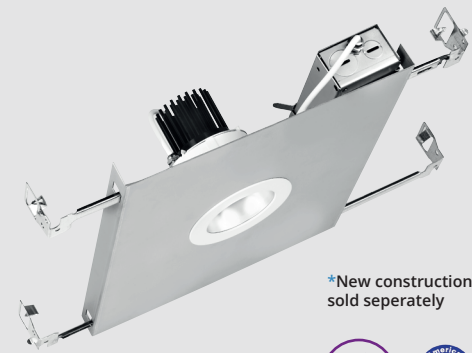


Catalog #	Quantity
Project	
Notes	Date
Prepared by	

# 3" LED/Capela

LED 3" Regressed Lens Downlight, 700-1300 Lumens



\*New construction frame sold separately

2700K 3000K 3500K 4000K



## Features

### Optics

- Soft glow clear, specular clear and white finishes
- Efficient optical design
- 15, 30, and 45 degree beam spreads
- Frosted polycarbonate regressed lens

### Controls

- 0-10V to 1% driver standard
- 0-10V to 0.1% &, Lutron, & Triac/Forward phase optional

### Construction

- Self-flanged cold-rolled steel housing
- Polyester powder coat
- Torsion springs for maximum ceiling retention
- Standard IC-rated up to 2,000 lumens
- Optional new construction frame with quick connect

### Electrical

- High flux CoB array
- 80+ CRI standard, 90+ CRI optional
- 2700K, 3000K, 3500K, 4000K standard
- High-performance Dim-to-Warm optional
- 70% lumen maintenance at 50,000 hours
- Tested according to LM-79 and LM-80 standards
- 120 – 277V Universal Input standard

### Listings

- ETL certified to UL 1598 and UL 8750 requirements
- Energy Star certified
- Suitable for damp locations; Wet location under covered ceiling;
- Not recommended for outdoor use
- Buy American Act

### Warranty

5-year limited warranty. Complete warranty terms located at: <http://vantageltg.com/product-warranty/>

## Ordering Information

EXAMPLE: V3CRRU-0730K-L3040-SGC-N-WHT

Series/Source	Voltage	Nominal Lumens	Kelvin	Reflector	Finish	Distribution	Flange Color	Frame	Options
V3CRR 3" round, Regressed	U - 120V-277V 1 - 120 Volts <sup>1</sup> 3 - 347 Volts <sup>3</sup>	-07 - 700 -13 - 1300	27K - 2700K 30K - 3000K 35K - 3500K 40K - 4000K DTW - Dim-to-Warm	L3040	SCL SGC WHT	N M W	WHT BLK	NCFAQ New Construction Frame w/ Advanced QuickConnect RMDL Remodeler	DL-2 <sup>2</sup> DL-3 <sup>2</sup> EM <sup>2</sup> HCR LDE1 <sup>2</sup> TDM <sup>1</sup> XDM <sup>2</sup>

Options in purple qualify for the Velocity Same Day program up to 100 pieces (up to 30 in EM). Refer to Velocity Guide for complete details.

**Notes**  
<sup>1</sup>TDM - available only in 120V  
<sup>2</sup>Lutron Drivers - please consult factory  
<sup>3</sup>Step-down Transformer

**Kelvin Options**  
 DTW - Dimmable 3000K to 1800K

**Reflector Finish Options**  
 SCL - Specular Clear  
 SGC - Soft Glow Clear  
 WHT - White Painted

**Distribution Options**  
 N - 15°  
 M - 30°  
 W - 45°

**Frame**  
 NCFAQ - New Construction Frame w/ Advanced QuickConnect  
 RMDL - Remodeler

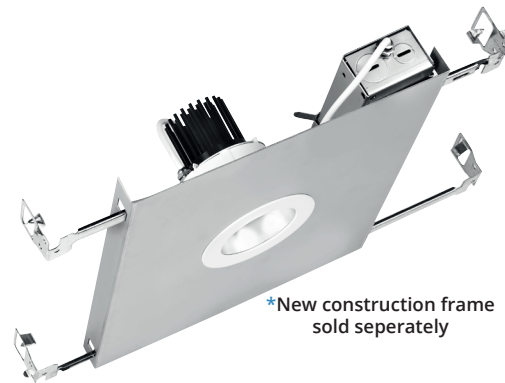
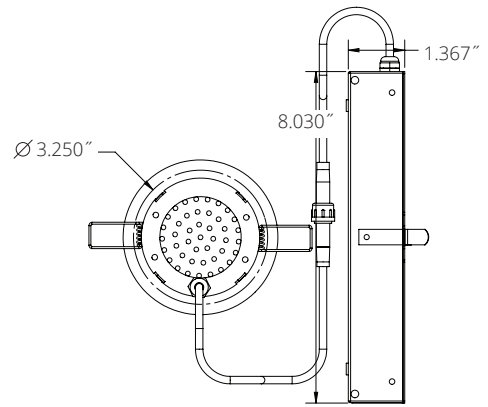
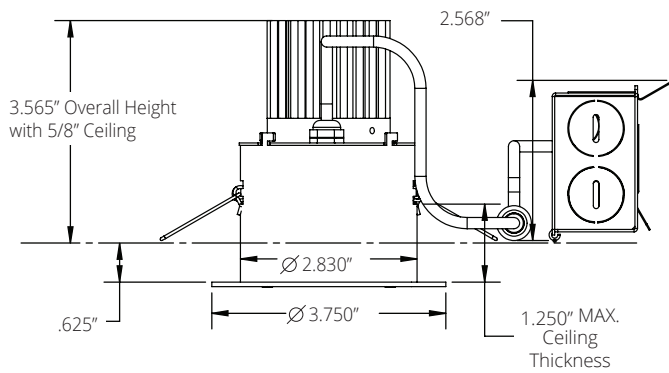
**Options**  
 DL-2<sup>2</sup> - Lutron 2 wire HiLume Dimming Driver  
 DL-3<sup>2</sup> - Lutron 3 wire HiLume Dimming Driver  
 EM<sup>2</sup> - Emergency battery back-up. Remote test button & indicator Light

HCR - 90+ CRI  
 LDE1<sup>2</sup> - Lutron EcoSystem Fade-to-Black™  
 TDM<sup>1</sup> - Triac Dimming Driver (Forward Phase)  
 XDM<sup>2</sup> - 0-10V 0.1% Dimming

Vantage reserves the right to change components, finishes or design details in any manner which does not alter the installed appearance or reduce performance and intended function. | Capela™ is a trademark of Vantage Lighting.

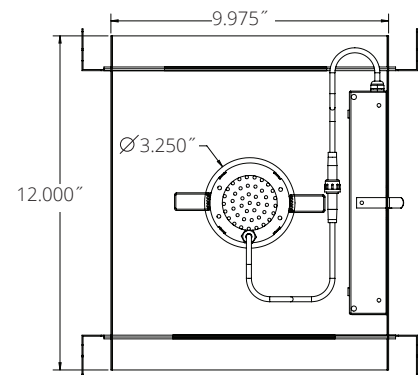
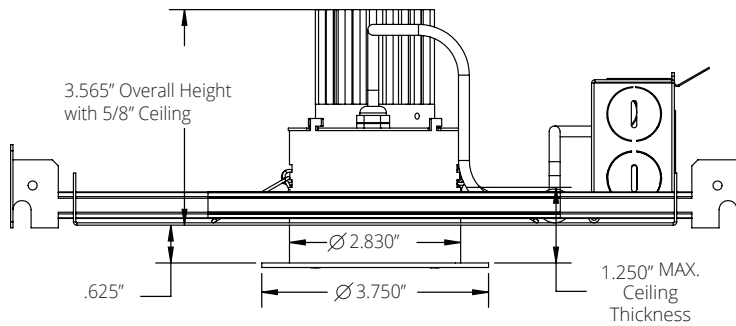
# Dimensional Data: LED 3" Regressed Lens Downlight

Ceiling Cut Out 3.250"



\*New construction frame sold separately

Ceiling Cut Out 3.250"



## Lumens/Wattage

Nominal Lumens	Wattage*	CCT*
700	7.56	3500K
1300	12.7	3500K

\*Actual Wattage/Lumens may vary.

## Emergency Lumen Output

Nominal Lumens	Wattage*	CCT*
300	2.5	3500K

\*Actual Wattage/Lumens may vary.


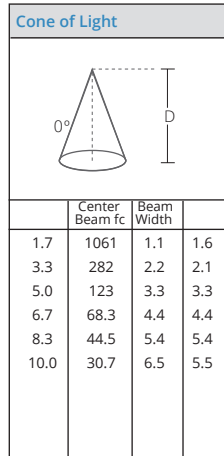
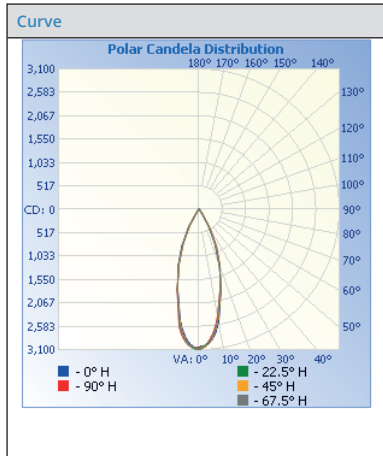
## Dim-to-Warm Performance

Nominal Lumens	100%					1%			
	Wattage	CCT	CRI	R9	Wattage	CCT	CRI	R9	
700	9.7	3100	95	85	2.9	1800	95	85	
1300	13.2	3100	95	85	3.3	1800	95	85	

# Photometrics

## 15° Distribution

**Test Number**  
 PHM-RPT-171026-D05  
**Model**  
 V3CRRU-1335K-N  
**Lumens**  
 1350.11  
**Efficacy**  
 93.30  
**SC**  
 0.9892


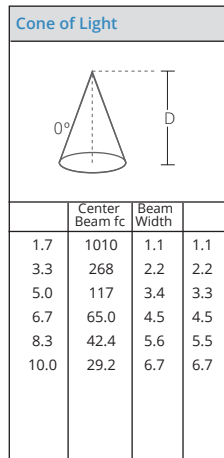
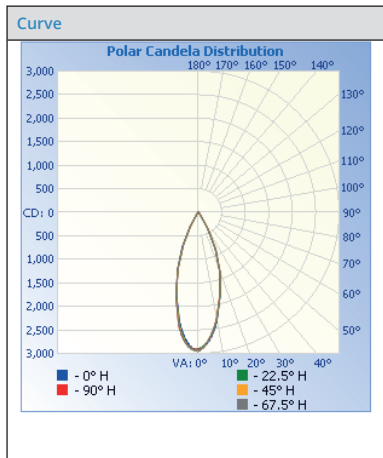



Degrees Vertical	Candela
0.0	3066
5.0	2910
10.0	2506
15.0	1862
20.0	1331
25.0	832
30.0	416
35.0	122
40.0	49
45.0	27
50.0	17
55.0	11
60.0	8
65.0	6
70.0	6
75.0	6
80.0	6
85.0	5
90.0	4

Zone	Lumens	% Luminaire
0-30	1164.3	86.2
0-40	1274.3	94.4
10-60	1307.2	96.8
60-90	18.4	1.4
0-90	1325.5	98.2
90-180	24.5	1.8
0-180	1350.1	100.0

## 30° Distribution

**Test Number**  
 PHM-RPT-171026-D04  
**Model**  
 V3CRRU-1335K-M  
**Lumens**  
 1286.75  
**Efficacy**  
 97.78  
**SC**  
 0.9889

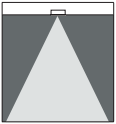
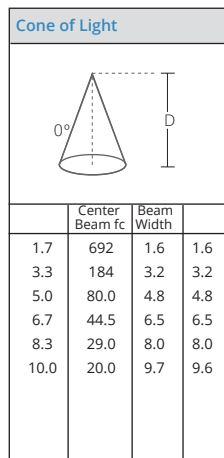
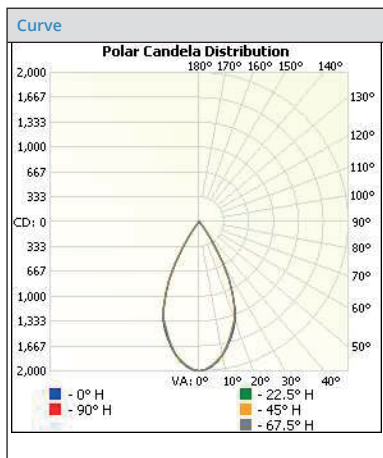



Degrees Vertical	Candela
0.0	2920
5.0	2719
10.0	2297
15.0	1802
20.0	1334
25.0	842
30.0	379
35.0	101
40.0	45
45.0	26
50.0	17
55.0	11
60.0	7
65.0	6
70.0	6
75.0	6
80.0	6
85.0	6
90.0	4

Zone	Lumens	% Luminaire
0-30	1151.1	86.7
0-40	1208.2	93.9
10-60	1241.4	96.5
60-90	20.6	1.6
0-90	1262.0	98.1
90-180	24.7	1.9
0-180	1286.8	100.0

## 45° Distribution

**Test Number**  
 103233437CART-011  
**Model**  
 V3CRRU-1335K-W  
**Lumens**  
 1292.0  
**Efficacy**  
 94.1  
**SC**  
 0.934

Degrees Vertical	Candela
0.0	1999
5.0	1950
10.0	1812
15.0	1626
20.0	1413
25.0	1057
30.0	644
35.0	241
40.0	62
45.0	21
50.0	10
55.0	3
60.0	0
65.0	0
70.0	0
75.0	0
80.0	0
85.0	0
90.0	0

Zone	Lumens	% Luminaire
0-30	1102.1	85.3
0-40	1269.2	98.2
10-60	1291.9	100.0
60-90	0.0	0.0
0-90	1292.0	100.0
90-180	0.0	0.0
0-180	1292.0	100.0

CAPELA Lumen Output Multipliers					
CRI	MULTIPLIER	KELVIN	MULTIPLIER	FINISH	MULTIPLIER
80	1	4000K	1.036	SCL	1
90	0.82	3500K	1	SGC	0.95
		3000K	0.974	WHT	0.87
		2700K	0.94		