

Catalog #	Quantity
Project	
Notes	Date
Prepared by	



\*New construction frame sold separately

# 3" LED/Capela

LED 3" Regressed Lens Micro Flange Downlight, 700-1300 Lumens

2700K 3000K 3500K 4000K



## Features

### Optics

Soft glow clear, specular clear and white finishes  
Efficient optical design  
15, 30, and 45 degree beam spreads  
Frosted polycarbonate regressed lens

### Controls

0-10V to 1% driver standard  
0-10V to 0.1% &, Lutron, & Triac/Forward phase optional

### Construction

Self-flanged or micro-flanged cold-rolled steel housing  
Polyester powder coat  
Torsion springs for maximum ceiling retention  
Standard IC-rated up to 2,000 lumens  
Optional new construction frame with quick connect

### Electrical

High flux CoB array  
80+ CRI standard, 90+ CRI optional  
2700K, 3000K, 3500K, 4000K standard  
High-performance Dim-to-Warm optional  
70% lumen maintenance at 50,000 hours  
Tested according to LM-79 and LM-80 standards  
120 – 277V Universal Input standard

### Listings

ETL certified to UL 1598 and UL 8750 requirements  
Energy Star certified  
Suitable for damp locations; Wet location under covered ceiling;  
Not recommended for outdoor use  
Buy American Act

### Warranty

5-year limited warranty. Complete warranty terms located at:  
<http://vantageltg.com/product-warranty/>

## Ordering Information

EXAMPLE: V3CRRM-2030K-L3040-SGC-M-WHT

Series/Source	Voltage	Nominal Lumens	Kelvin	Reflector	Finish	Distribution	Flange Color	Frame	Options
V3CRRM 3" round, Regressed Micro Flange	U - 120V-277V 1 - 120 Volts <sup>1</sup> 3 - 347 Volts <sup>3</sup>	-07 - 700 -13 - 1300	27K - 2700K 30K - 3000K 35K - 3500K 40K - 4000K DTW - Dim- to-Warm	L3040	SCL SGC WHT	N M W	WHT BLK	NCFAQ <i>New Construction Frame w/ Advanced QuickConnect RMDL Remodeler</i>	DL-2 <sup>2</sup> DL-3 <sup>2</sup> EM <sup>2</sup> HCR LDE1 <sup>2</sup> TDM <sup>1</sup> XDM <sup>2</sup>

### Notes

<sup>1</sup>TDM - available only in 120V

<sup>2</sup>Lutron Drivers - please consult factory

<sup>3</sup>Step-down Transformer

### Kelvin Options

DTW - Dimmable  
3000K to 1800K

### Reflector Finish Options

SCL - Specular Clear  
SGC - Soft Glow Clear  
WHT - White Painted

### Distribution Options

N - 15° Distribution  
M - 30° Distribution  
W - 45° Distribution

### Frame

NCFAQ - New Construction Frame w/ Advanced QuickConnect  
RMDL - Remodeler

### Options

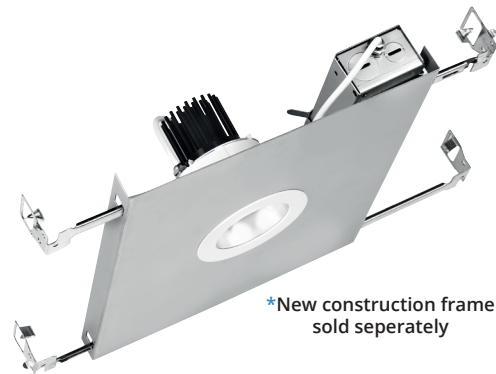
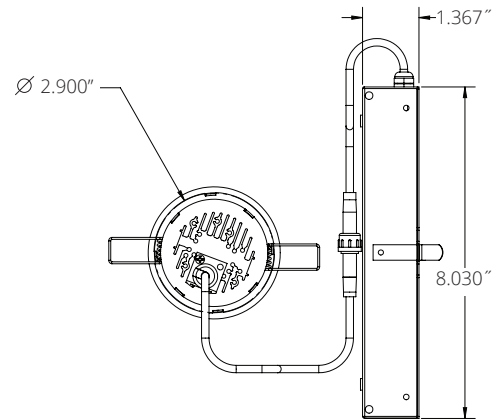
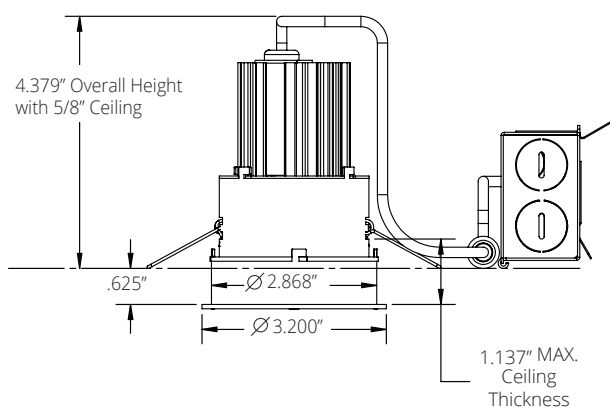
DL-2<sup>2</sup> - Lutron 2 wire HiLume Dimming Driver  
DL-3<sup>2</sup> - Lutron 3 wire HiLume Dimming Driver  
EM<sup>2</sup> - Emergency battery back-up. Remote test button & indicator Light

HCR - 90+ CRI  
LDE1<sup>2</sup> - Lutron EcoSystem Fade-to-Black™  
TDM<sup>1</sup> - Triac Dimming Driver (Forward Phase)  
XDM<sup>2</sup> - 0-10V 0.1% Dimming

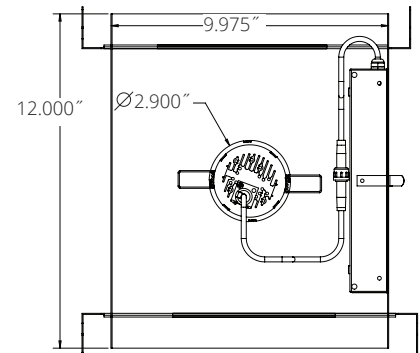
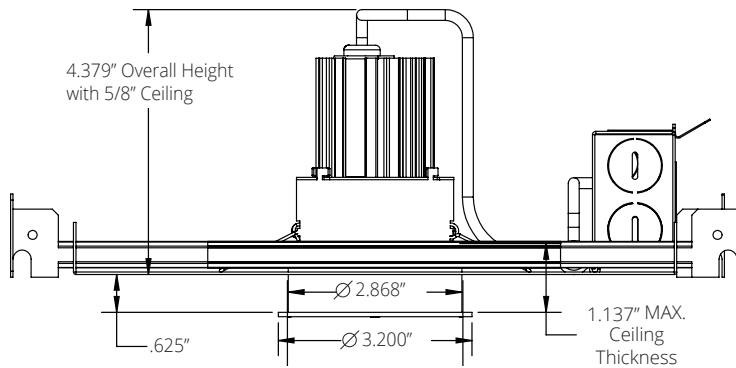
Vantage reserves the right to change components, finishes or design details in any manner which does not alter the installed appearance or reduce performance and intended function. | Capela™ is a trademark of Vantage Lighting.

# Dimensional Data: LED 3" Regressed Lens Micro Flange Downlight

Ceiling Cut Out 2.900"



Ceiling Cut Out 2.900"



## Lumens/Wattage

Nominal Lumens	Wattage*	CCT*
700	7.56	3500K
1300	12.7	3500K

\*Actual Wattage/Lumens may vary.

## Emergency Lumen Output

Nominal Lumens	Wattage*	CCT*
300	2.5	3500K

\*Actual Wattage/Lumens may vary.


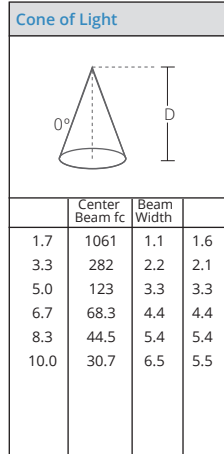
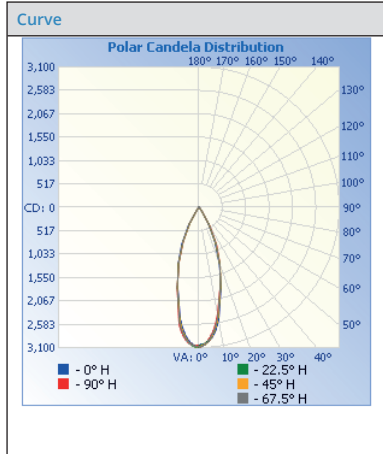
## Dim-to-Warm Performance

Nominal Lumens	100%					1%			
	Wattage	CCT	CRI	R9	Wattage	CCT	CRI	R9	
700	9.7	3100	95	85	2.9	1800	95	85	
1300	13.2	3100	95	85	3.3	1800	95	85	

# Photometrics

## 15° Distribution

**Test Number**  
 PHM-RPT-171026-D05  
**Model**  
 V3CRRU-1335K-N  
**Lumens**  
 1350.11  
**Efficacy**  
 93.30  
**SC**  
 0.9892


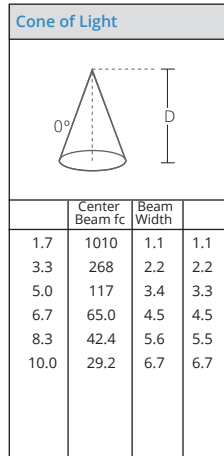
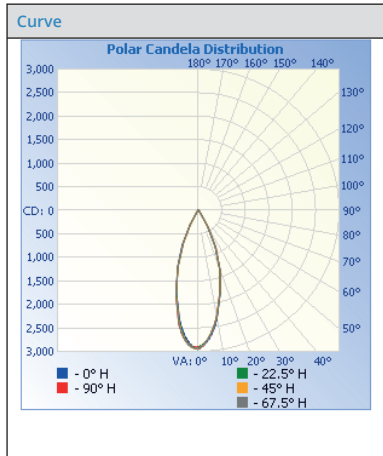



Degrees Vertical	Candela
0.0	3066
5.0	2910
10.0	2506
15.0	1862
20.0	1331
25.0	832
30.0	416
35.0	122
40.0	49
45.0	27
50.0	17
55.0	11
60.0	8
65.0	6
70.0	6
75.0	6
80.0	6
85.0	5
90.0	4

Zone	Lumens	% Luminaire
0-30	1164.3	86.2
0-40	1274.3	94.4
10-60	1307.2	96.8
60-90	18.4	1.4
0-90	1325.5	98.2
90-180	24.5	1.8
0-180	1350.1	100.0

## 30° Distribution

**Test Number**  
 PHM-RPT-171026-D04  
**Model**  
 V3CRRU-1335K-M  
**Lumens**  
 1286.75  
**Efficacy**  
 97.78  
**SC**  
 0.9889

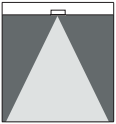
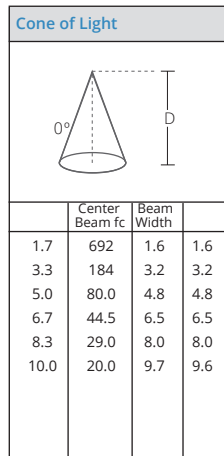
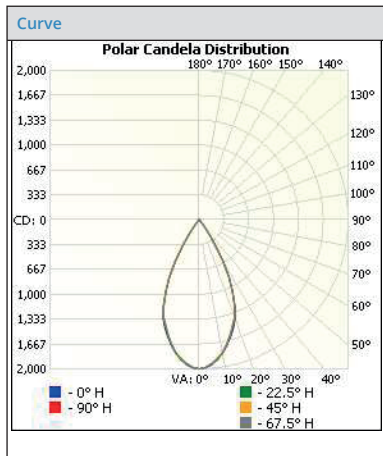



Degrees Vertical	Candela
0.0	2920
5.0	2719
10.0	2297
15.0	1802
20.0	1334
25.0	842
30.0	379
35.0	101
40.0	45
45.0	26
50.0	17
55.0	11
60.0	7
65.0	6
70.0	6
75.0	6
80.0	6
85.0	6
90.0	4

Zone	Lumens	% Luminaire
0-30	1151.1	86.7
0-40	1208.2	93.9
10-60	1241.4	96.5
60-90	20.6	1.6
0-90	1262.0	98.1
90-180	24.7	1.9
0-180	1286.8	100.0

## 45° Distribution

**Test Number**  
 103233437CART-011  
**Model**  
 V3CRRU-1335K-W  
**Lumens**  
 1292.0  
**Efficacy**  
 94.1  
**SC**  
 0.934

Degrees Vertical	Candela
0.0	1999
5.0	1950
10.0	1812
15.0	1626
20.0	1413
25.0	1057
30.0	644
35.0	241
40.0	62
45.0	21
50.0	10
55.0	3
60.0	0
65.0	0
70.0	0
75.0	0
80.0	0
85.0	0
90.0	0

Zone	Lumens	% Luminaire
0-30	1102.1	85.3
0-40	1269.2	98.2
10-60	1291.9	100.0
60-90	0.0	0.0
0-90	1292.0	100.0
90-180	0.0	0.0
0-180	1292.0	100.0

### CAPELA Lumen Output Multipliers

CRI	MULTIPLIER	KELVIN	MULTIPLIER	FINISH	MULTIPLIER
80	1	4000K	1.036	SCL	1
90	0.82	3500K	1	SGC	0.95
		3000K	0.974	WHT	0.87
		2700K	0.94		