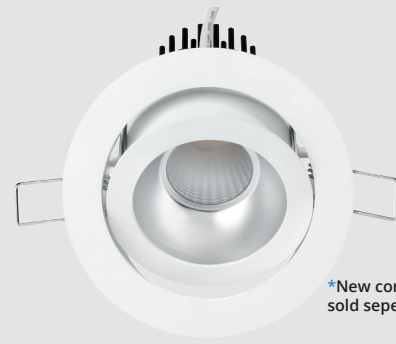


|             |          |
|-------------|----------|
| Catalog #   | Quantity |
| Project     |          |
| Notes       | Date     |
| Prepared by |          |



\*New construction frame sold separately

# 3" LED/Capela

LED 3" Regressed Lens Adjustable Downlight, 700-1300 Lumens

2700K 3000K 3500K 4000K



## Features

### Optics

Soft glow clear, specular clear and white finishes  
Efficient optical design  
15, 30, and 45 degree beam spreads  
Frosted polycarbonate regressed lens

### Controls

0-10V to 1% driver standard  
0-10V to 0.1% &, Lutron, & Triac/Forward phase optional

### Construction

Self-flanged cold-rolled steel housing  
Polyester powder coat  
Torsion springs for maximum ceiling retention  
Standard IC-rated up to 2,000 lumens  
Optional new construction frame with quick connect

### Electrical

High flux CoB array  
80+ CRI standard, 90+ CRI optional  
2700K, 3000K, 3500K, 4000K standard  
High-performance Dim-to-Warm optional  
70% lumen maintenance at 50,000 hours  
Tested according to LM-79 and LM-80 standards  
120 – 277V Universal Input standard

### Listings

ETL certified to UL 1598 and UL 8750 requirements  
Energy Star certified  
Suitable for damp locations; Wet location under covered ceiling;  
Not recommended for outdoor use  
Buy American Act

### Warranty

5-year limited warranty. Complete warranty terms located at:  
<http://vantageltg.com/product-warranty/>

## Ordering Information

EXAMPLE: V3CRRADJ-2030K-L3040-SGC-MD-WHT

| Series/Source                                    | Voltage                                                                   | Nominal Lumens          | Kelvin                                                                            | Reflector | Finish            | Distribution | Flange Color | Frame                                                                                                  | Options                                                                                                                       |
|--------------------------------------------------|---------------------------------------------------------------------------|-------------------------|-----------------------------------------------------------------------------------|-----------|-------------------|--------------|--------------|--------------------------------------------------------------------------------------------------------|-------------------------------------------------------------------------------------------------------------------------------|
| V3CRRADJ<br>3" round,<br>Regressed<br>Adjustable | U - 120V-277V<br>1 - 120 Volts <sup>1</sup><br>3 - 347 Volts <sup>3</sup> | -07 - 700<br>-13 - 1300 | 27K - 2700K<br>30K - 3000K<br>35K - 3500K<br>40K - 4000K<br>DTW - Dim-<br>to-Warm | L2040     | SCL<br>SGC<br>WHT | N<br>M<br>W  | WHT<br>BLK   | NCFAQ<br><i>New<br/>Construction<br/>Frame w/<br/>Advanced<br/>QuickConnect<br/>RMDL<br/>Remodeler</i> | DL-2 <sup>2</sup><br>DL-3 <sup>2</sup><br>EM <sup>2</sup><br>HCR<br>LDE1 <sup>2</sup><br>TDM <sup>1</sup><br>XDM <sup>2</sup> |

### Notes

<sup>1</sup>TDM - available only in 120V

<sup>2</sup>Lutron Drivers - please consult factory

<sup>3</sup>Step-down Transformer

### Kelvin Options

DTW - Dimmable  
3000K to 1800K

### Reflector Finish Options

SCL - Specular Clear  
SGC - Soft Glow Clear  
WHT - White Painted

### Distribution Options

N - 15° Distribution  
M - 30° Distribution  
W - 45° Distribution

### Frame

NCFAQ - New Construction Frame w/ Advanced QuickConnect  
RMDL - Remodeler

### Options

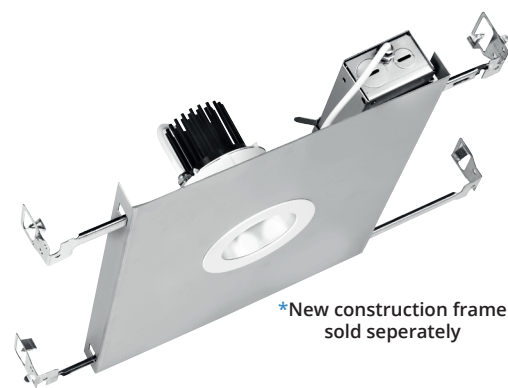
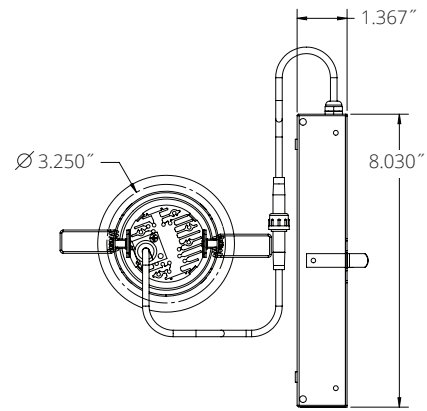
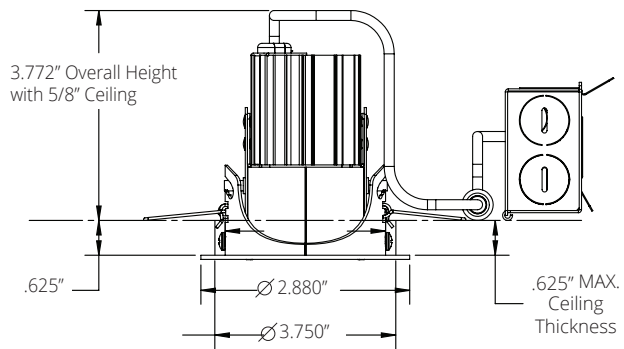
DL-2<sup>2</sup> - Lutron 2 wire HiLume Dimming Driver  
DL-3<sup>2</sup> - Lutron 3 wire HiLume Dimming Driver  
EM<sup>2</sup> - Emergency battery back-up. Remote test button & indicator Light

HCR - 90+ CRI  
LDE1<sup>2</sup> - Lutron EcoSystem Fade-to-Black™  
TDM<sup>1</sup> - Triac Dimming Driver (Forward Phase)  
XDM<sup>2</sup> - 0-10V 0.1% Dimming

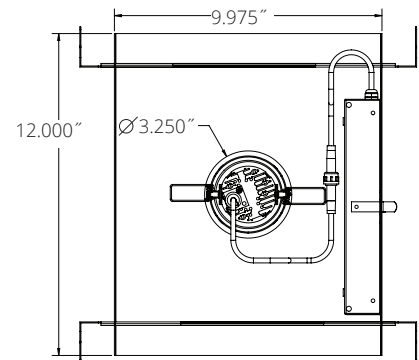
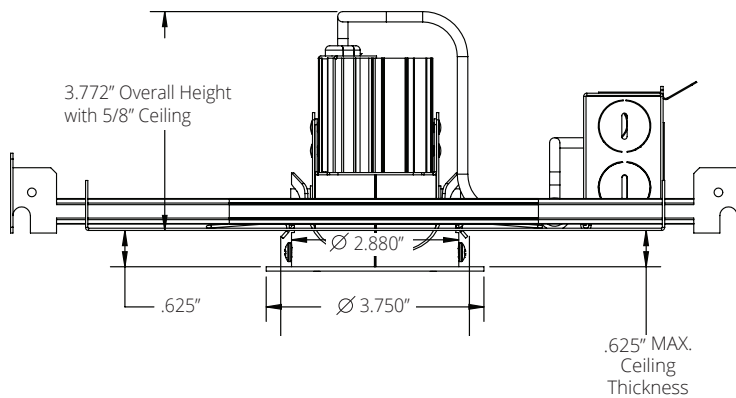
Vantage reserves the right to change components, finishes or design details in any manner which does not alter the installed appearance or reduce performance and intended function. | Capela™ is a trademark of Vantage Lighting.

# Dimensional Data: LED 3" Regressed Lens Adjustable Downlight

Ceiling Cut Out 3.250"



Ceiling Cut Out 3.250"



## Lumens/Wattage

| Nominal Lumens | Wattage* | CCT*  |
|----------------|----------|-------|
| 700            | 7.56     | 3500K |
| 1300           | 12.7     | 3500K |

\*Actual Wattage/Lumens may vary.

## Emergency Lumen Output

| Nominal Lumens | Wattage* | CCT*  |
|----------------|----------|-------|
| 300            | 2.5      | 3500K |

\*Actual Wattage/Lumens may vary.


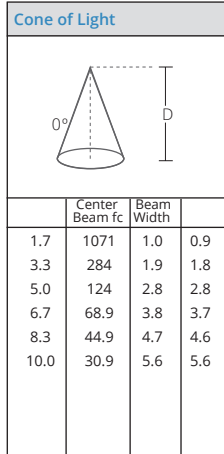
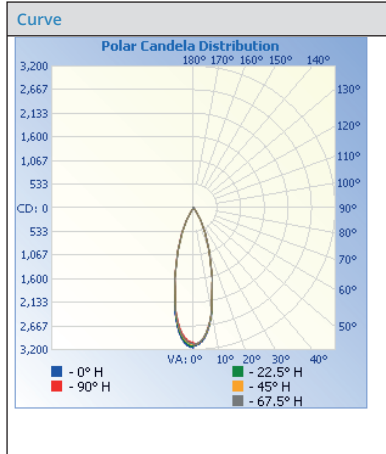
## Dim-to-Warm Performance

| Nominal Lumens | 100%    |      |     |    |         | 1%   |     |    |  |
|----------------|---------|------|-----|----|---------|------|-----|----|--|
|                | Wattage | CCT  | CRI | R9 | Wattage | CCT  | CRI | R9 |  |
| 700            | 9.7     | 3100 | 95  | 85 | 2.9     | 1800 | 95  | 85 |  |
| 1300           | 13.2    | 3100 | 95  | 85 | 3.3     | 1800 | 95  | 85 |  |

# Photometrics

## 15° Distribution

**Test Number**  
 PHM-RPT-171026-D07  
**Model**  
 V2CRRU-1335K-N  
**Lumens**  
 1138.94  
**Efficacy**  
 77.63  
**SC**  
 0.9910


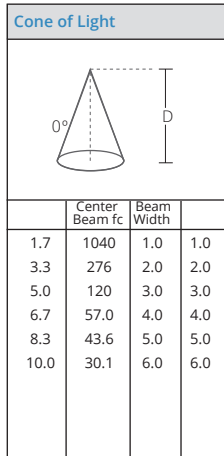
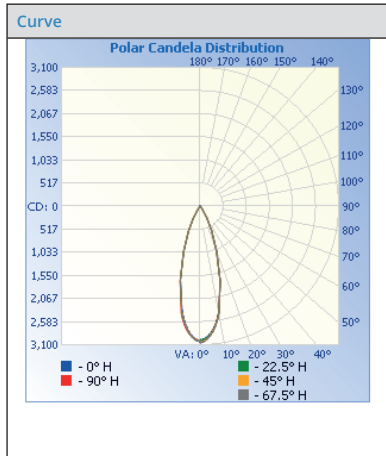



| Degrees Vertical | Candela |
|------------------|---------|
| 0.0              | 3094    |
| 5.0              | 2936    |
| 10.0             | 2373    |
| 15.0             | 1637    |
| 20.0             | 1027    |
| 25.0             | 624     |
| 30.0             | 329     |
| 35.0             | 97      |
| 40.0             | 35      |
| 45.0             | 20      |
| 50.0             | 11      |
| 55.0             | 8       |
| 60.0             | 6       |
| 65.0             | 5       |
| 70.0             | 5       |
| 75.0             | 5       |
| 80.0             | 5       |
| 85.0             | 5       |
| 90.0             | 3       |

| Zone   | Lumens | % Luminaire |
|--------|--------|-------------|
| 0-30   | 998.5  | 87.7        |
| 0-40   | 1078.8 | 94.7        |
| 10-60  | 1102.1 | 95.8        |
| 60-90  | 15.1   | 1.3         |
| 0-90   | 117.3  | 98.1        |
| 90-180 | 21.7   | 1.9         |
| 0-180  | 1139.0 | 100.0       |

## 30° Distribution

**Test Number**  
 PHM-RPT-171026-D06  
**Model**  
 V2CRRU-1335K-M  
**Lumens**  
 1142.59  
**Efficacy**  
 77.56  
**SC**  
 0.9906

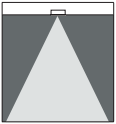
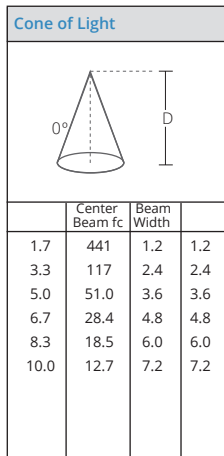
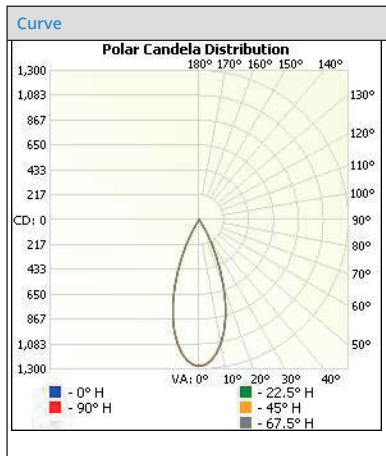



| Degrees Vertical | Candela |
|------------------|---------|
| 0.0              | 3007    |
| 5.0              | 2837    |
| 10.0             | 2414    |
| 15.0             | 1729    |
| 20.0             | 1076    |
| 25.0             | 610     |
| 30.0             | 291     |
| 35.0             | 71      |
| 40.0             | 27      |
| 45.0             | 17      |
| 50.0             | 11      |
| 55.0             | 9       |
| 60.0             | 7       |
| 65.0             | 5       |
| 70.0             | 5       |
| 75.0             | 5       |
| 80.0             | 4       |
| 85.0             | 4       |
| 90.0             | 3       |

| Zone   | Lumens | % Luminaire |
|--------|--------|-------------|
| 0-30   | 1014.9 | 88.8        |
| 0-40   | 1086.6 | 95.1        |
| 10-60  | 1107.5 | 96.9        |
| 60-90  | 14.2   | 1.2         |
| 0-90   | 1121.7 | 98.2        |
| 90-180 | 20.9   | 1.8         |
| 0-180  | 1142.6 | 100.0       |

## 45° Distribution

**Test Number**  
 103233437CART-008  
**Model**  
 V2CRRU-0735K-W  
**Lumens**  
 543.1  
**Efficacy**  
 71.9  
**SC**  
 0.863

| Degrees Vertical | Candela |
|------------------|---------|
| 0.0              | 1274    |
| 5.0              | 1227    |
| 10.0             | 1092    |
| 15.0             | 885     |
| 20.0             | 625     |
| 25.0             | 352     |
| 30.0             | 140     |
| 35.0             | 19      |
| 40.0             | 8       |
| 45.0             | 4       |
| 50.0             | 1       |
| 55.0             | 0       |
| 60.0             | 0       |
| 65.0             | 0       |
| 70.0             | 0       |
| 75.0             | 0       |
| 80.0             | 0       |
| 85.0             | 0       |
| 90.0             | 0       |

| Zone   | Lumens | % Luminaire |
|--------|--------|-------------|
| 0-30   | 514.9  | 94.8        |
| 0-40   | 539.7  | 99.4        |
| 10-60  | 543.1  | 100.0       |
| 60-90  | 0.0    | 0.0         |
| 0-90   | 543.1  | 100.1       |
| 90-180 | 0.0    | 0.0         |
| 0-180  | 543.1  | 100.0       |

### CAPELA Lumen Output Multipliers

| CRI | MULTIPLIER | KELVIN | MULTIPLIER | FINISH | MULTIPLIER |
|-----|------------|--------|------------|--------|------------|
| 80  | 1          | 4000K  | 1.036      | SCL    | 1          |
| 90  | 0.82       | 3500K  | 1          | SGC    | 0.95       |
|     |            | 3000K  | 0.974      | WHT    | 0.87       |
|     |            | 2700K  | 0.94       |        |            |