

Catalog #	Quantity
Project	
Notes	Date
Prepared by	

2" LED/Capela

LED 2" Regressed Lens Downlight, 700-1300 Lumens



*New construction frame sold separately

2700K 3000K 3500K 4000K



Features

Optics

- Soft glow clear, specular clear and white finishes
- Efficient optical design
- 15, 30, and 45 degree beam spreads
- Frosted polycarbonate regressed lens

Controls

- 0-10V to 1% driver standard
- 0-10V to 0.1% &, Lutron, & Triac/Forward phase optional

Construction

- Self-flanged cold-rolled steel housing
- Polyester powder coat
- Torsion springs for maximum ceiling retention
- Standard IC-rated up to 2,000 lumens
- Optional new construction frame with quick connect

Electrical

- High flux CoB array
- 80+ CRI standard, 90+ CRI optional
- 2700K, 3000K, 3500K, 4000K standard
- High-performance Dim-to-Warm optional
- 70% lumen maintenance at 50,000 hours
- Tested according to LM-79 and LM-80 standards
- 120 – 277V Universal Input standard

Listings

- ETL certified to UL 1598 and UL 8750 requirements
- Energy Star certified
- Suitable for damp locations; Wet location under covered ceiling; Not recommended for outdoor use
- Buy American Act

Warranty

5-year limited warranty. Complete warranty terms located at: <http://vantageltg.com/product-warranty/>

Ordering Information

EXAMPLE: V2CRRU-0730K-DTW-L2040-SGC-MD-WHT

Series/Source	Voltage	Nominal Lumen	Kelvin	Reflector	Finish	Distribution	Flange Color	Frame	Options
V2CRR 2" round, Regressed	U - 120V-277V 1 - 120 Volts ¹ 3 - 347 Volts ³	-07 - 700 -13 - 1300	27K - 2700K 30K - 3000K 35K - 3500K 40K - 4000K DTW - Dim-to-Warm	L2040	SCL SGC WHT	N M W	WHT BLK	NCFAQ <i>New Construction Frame w/ Advanced QuickConnect RMDL Remodeler</i>	DL-2 ² DL-3 ² EM ² HCR LDE1 ² TDM ¹ XDM ²

Notes

- ¹TDM - available only in 120V
- ²Lutron Drivers - please consult factory
- ³Step-down Transformer

Kelvin Options

DTW - Dimmable
3000K to 1800K

Reflector Finish Options

SCL - Specular Clear
SGC - Soft Glow Clear
WHT - White Painted

Distribution Options

N - 15° Distribution
M - 30° Distribution
W - 45° Distribution

Frame

NCFAQ - New Construction Frame w/ Advanced QuickConnect
RMDL - Remodeler

Options

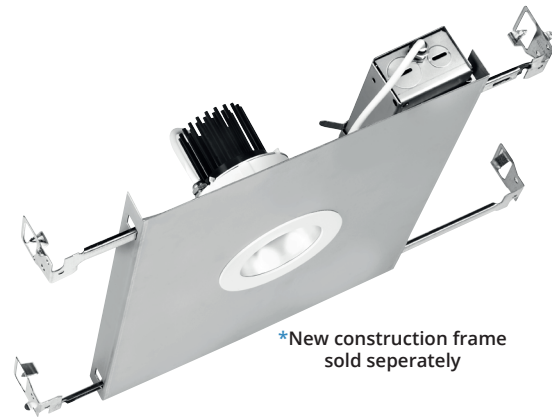
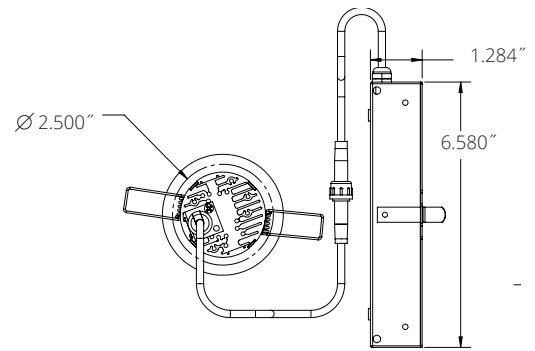
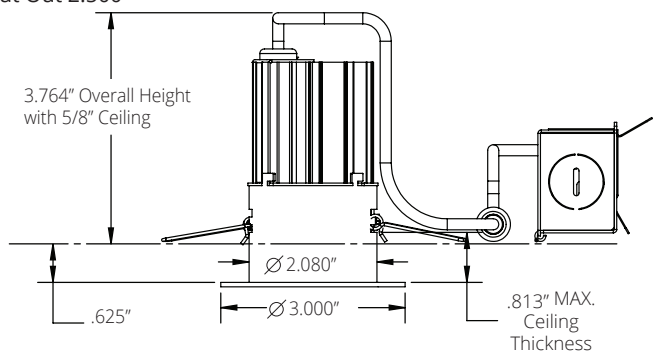
DL-2² - Lutron 2 wire HiLume Dimming Driver
DL-3² - Lutron 3 wire HiLume Dimming Driver
EM² - Emergency battery back-up. Remote test button & indicator Light

HCR - 90+ CRI
LDE1² - Lutron EcoSystem Fade-to-Black™
TDM¹ - Triac Dimming Driver (Forward Phase)
XDM² - 0-10V 0.1% Dimming

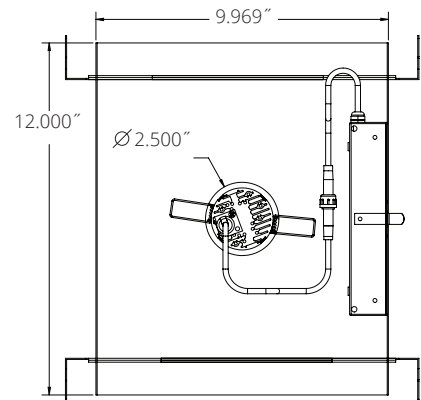
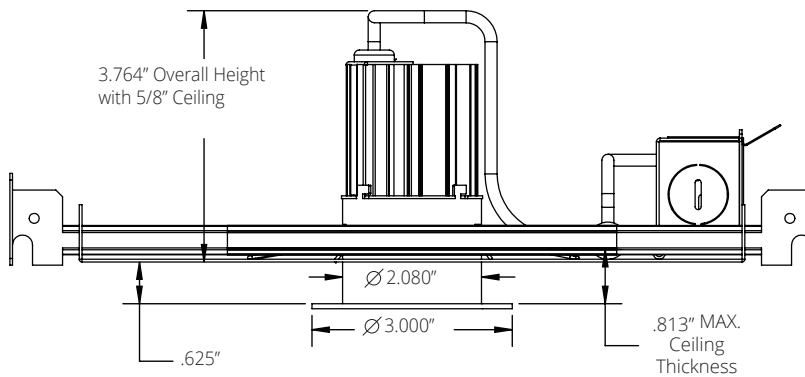
Vantage reserves the right to change components, finishes or design details in any manner which does not alter the installed appearance or reduce performance and intended function. | Capela™ is a trademark of Vantage Lighting.

Dimensional Data: LED 2" Regressed Lens Downlight

Ceiling Cut Out 2.500"



Ceiling Cut Out 2.500"



Lumens/Wattage

Nominal Lumens	Wattage*	CCT*
700	7.56	3500K
1300	12.7	3500K

**Actual Wattage/Lumens may vary.*

Emergency Lumen Output

Nominal Lumens	Wattage*	CCT*
300	2.5	3500K

**Actual Wattage/Lumens may vary.*


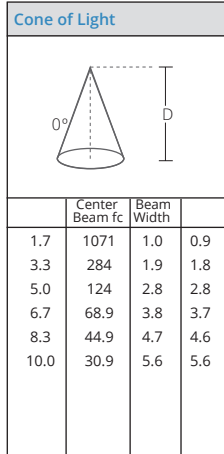
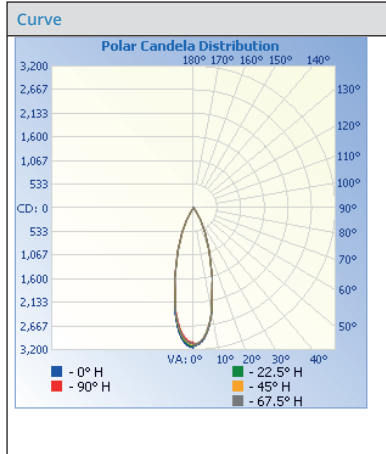
Dim-to-Warm Performance

Nominal Lumens	Wattage	100%			1%			
		CCT	CRI	R9	Wattage	CCT	CRI	R9
700	9.7	3100	95	85	2.9	1800	95	85
1300	13.2	3100	95	85	3.3	1800	95	85

Photometrics

15° Distribution

Test Number
 PHM-RPT-171026-D07
Model
 V2CRRU-1335K-N
Lumens
 1138.94
Efficacy
 77.63
SC
 0.9910


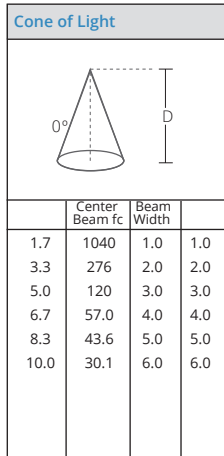
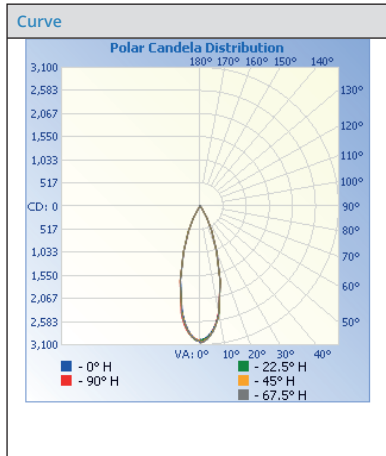



Degrees Vertical	Candela
0.0	3094
5.0	2936
10.0	2373
15.0	1637
20.0	1027
25.0	624
30.0	329
35.0	97
40.0	35
45.0	20
50.0	11
55.0	8
60.0	6
65.0	5
70.0	5
75.0	5
80.0	5
85.0	5
90.0	3

Zone	Lumens	% Luminaire
0-30	998.5	87.7
0-40	1078.8	94.7
10-60	1102.1	95.8
60-90	15.1	1.3
0-90	117.3	98.1
90-180	21.7	1.9
0-180	1139.0	100.0

30° Distribution

Test Number
 PHM-RPT-171026-D06
Model
 V2CRRU-1335K-M
Lumens
 1142.59
Efficacy
 77.56
SC
 0.9906

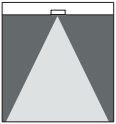
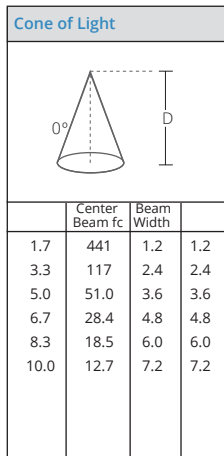
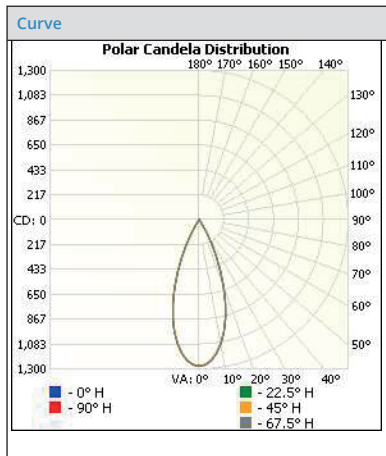



Degrees Vertical	Candela
0.0	3007
5.0	2837
10.0	2414
15.0	1729
20.0	1076
25.0	610
30.0	291
35.0	71
40.0	27
45.0	17
50.0	11
55.0	9
60.0	7
65.0	5
70.0	5
75.0	5
80.0	4
85.0	4
90.0	3

Zone	Lumens	% Luminaire
0-30	1014.9	88.8
0-40	1086.6	95.1
10-60	1107.5	96.9
60-90	14.2	1.2
0-90	1121.7	98.2
90-180	20.9	1.8
0-180	1142.6	100.0

45° Distribution

Test Number
 103233437CRT-008
Model
 V2CRRU-0735K-W
Lumens
 543.1
Efficacy
 71.9
SC
 0.863

Degrees Vertical	Candela
0.0	1274
5.0	1227
10.0	1092
15.0	885
20.0	625
25.0	352
30.0	140
35.0	19
40.0	8
45.0	4
50.0	1
55.0	0
60.0	0
65.0	0
70.0	0
75.0	0
80.0	0
85.0	0
90.0	0

Zone	Lumens	% Luminaire
0-30	514.9	94.8
0-40	539.7	99.4
10-60	543.1	100.0
60-90	0.0	0.0
0-90	543.1	100.1
90-180	0.0	0.0
0-180	543.1	100.0

CAPELA Lumen Output Multipliers

CRI	MULTIPLIER	KELVIN	MULTIPLIER	FINISH	MULTIPLIER
80	1	4000K	1.036	SCL	1
90	0.82	3500K	1	SGC	0.95
		3000K	0.974	WHT	0.87
		2700K	0.94		