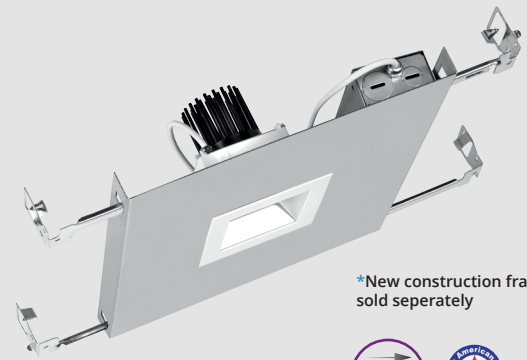


Catalog #	Quantity
Project	
Notes	Date
Prepared by	

2" LED/Capela™

LED 2" Square Regressed Lens Downlight, 700-1300 Lumens



*New construction frame sold separately

2700K 3000K 3500K 4000K



Features

Optics

- Soft glow clear, specular clear and white finishes
- Efficient optical design
- 15, 30, and 45 degree beam spreads
- Frosted polycarbonate regressed lens

Controls

- 0-10V to 1% driver standard
- 0-10V to 0.1% &, Lutron, & Triac/Forward phase optional

Construction

- Self-flanged w/cold-rolled steel housing
- Polyester powder coat
- Torsion springs for maximum ceiling retention
- Standard IC-rated up to 2,000 lumens
- Optional new construction frame with quick connect

Electrical

- High flux CoB array
- 80+ CRI standard, 90+ CRI optional
- 2700K, 3000K, 3500K, 4000K standard
- High-performance Dim-to-Warm optional
- 70% lumen maintenance at 50,000 hours
- Tested according to LM-79 and LM-80 standards
- 120 – 277V Universal Input standard

Listings

- ETL certified to UL 1598 and UL 8750 requirements
- Energy Star certified
- Suitable for damp locations; Wet location under covered ceiling;
- Not recommended for outdoor use
- Buy American Act

Warranty

5-year limited warranty. Complete warranty terms located at: <http://vantageltg.com/product-warranty/>

Ordering Information

EXAMPLE: V2CRS-0730K-S2040-SGC-W-WHT

Series/Source	Voltage	Nominal Lumen	Kelvin	Reflector	Finish	Distribution	Flange Color	Frame	Options
V2CRS 2" square, Regressed	U - 120V-277V 1 - 120 Volts ¹ 3 - 347 Volts ³	-07 - 700 -13 - 1300	27K - 2700K 30K - 3000K 35K - 3500K 40K - 4000K DTW - Dim- to-Warm	S2040	SCL SGC WHT	N M W	WHT BLK	NCFAQ <i>New Construction Frame w/ Advanced QuickConnect RMDL Remodeler</i>	DL-2 ² DL-3 ² EM ² HCR LDE1 ² TDM ¹ XDM ²

Options in purple qualify for the Velocity Same Day program up to 100 pieces (up to 30 in EM). Refer to Velocity Guide for complete details.

Notes
¹TDM - available only in 120V
²Lutron Drivers - please consult factory
³Step-down Transformer

Kelvin Options
 DTW - Dimmable 3000K to 1800K

Reflector Finish Options
 SCL - Specular Clear
 SGC - Soft Glow Clear
 WHT - White Painted

Distribution Options
 N - 15°
 M - 30°
 W - 45°

Frame
 NCFAQ - New Construction Frame w/ Advanced QuickConnect
 RMDL - Remodeler

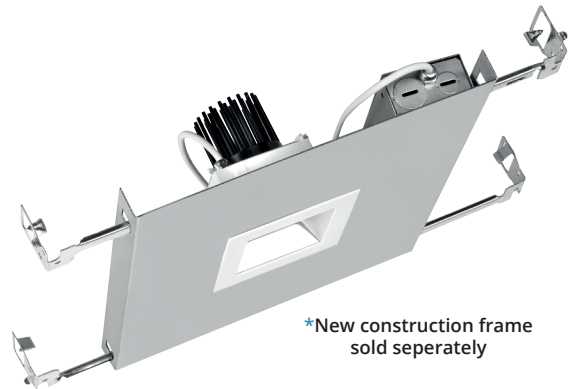
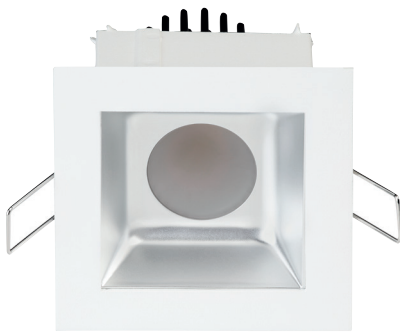
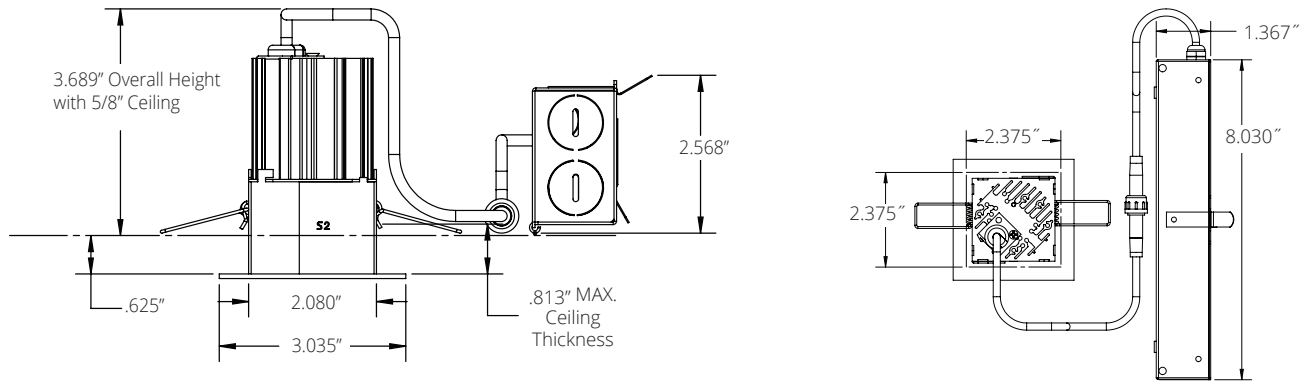
Options
 DL-2² - Lutron 2 wire HiLume Dimming Driver
 DL-3² - Lutron 3 wire HiLume Dimming Driver
 EM² - Emergency battery back-up. Remote test button & indicator Light

HCR - 90+ CRI
 LDE1² - Lutron EcoSystem Fade-to-Black™
 TDM¹ - Triac Dimming Driver (Forward Phase)
 XDM² - 0-10V 0.1% Dimming

Vantage reserves the right to change components, finishes or design details in any manner which does not alter the installed appearance or reduce performance and intended function. | Capela™ is a trademark of Vantage Lighting.

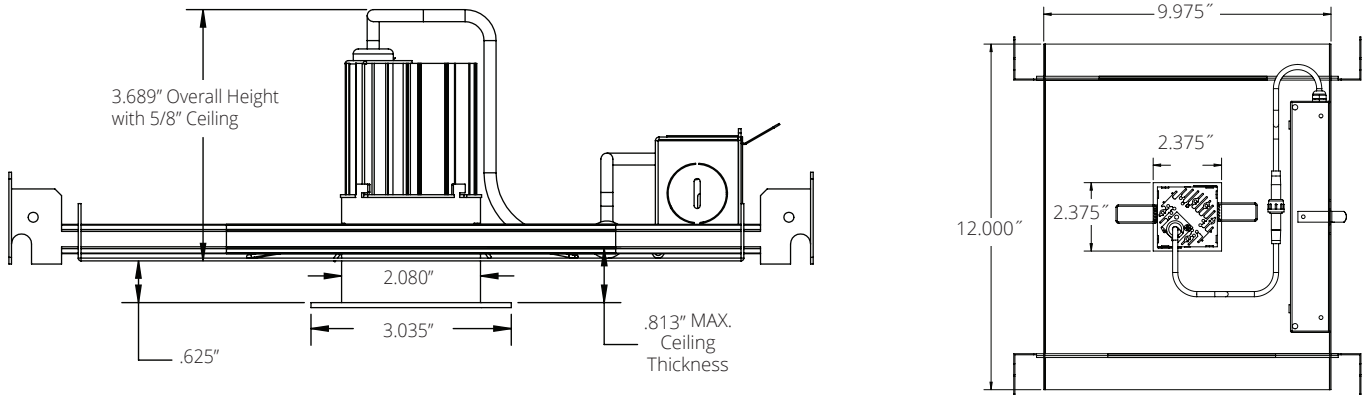
Dimensional Data: LED 2" Square Regressed Lens Downlight

Ceiling Cut Out 2.375x2.375" Square



*New construction frame sold separately

Ceiling Cut Out 2.375x2.375" Square



Lumens/Wattage

Nominal Lumens	Wattage*	CCT*
700	7.56	3500K
1300	12.7	3500K

**Actual Wattage/Lumens may vary.*

Emergency Lumen Output

Nominal Lumens	Wattage*	CCT*
300	2.5	3500K

**Actual Wattage/Lumens may vary.*


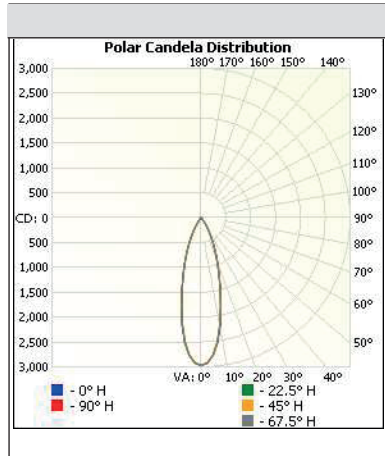
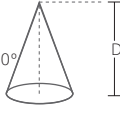
Dim-to-Warm Performance

Nominal Lumens	Wattage	100%			1%			
		CCT	CRI	R9	Wattage	CCT	CRI	R9
700	9.7	3100	95	85	2.9	1800	95	85
1300	13.2	3100	95	85	3.3	1800	95	85

Photometrics

15° Distribution

Test Number
 103233437CRT-017
Model
 V2CRSU-1335K-N
Lumens
 1037.7
Efficacy
 76.4
SC
 0.971


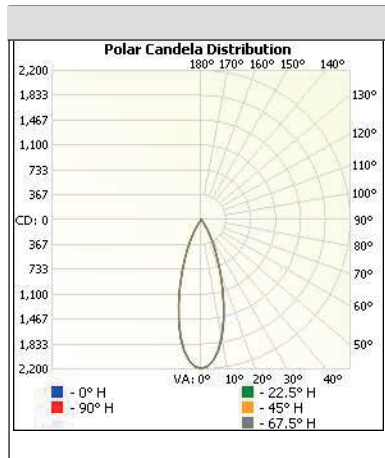
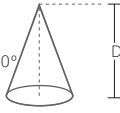
	Center Beam fc	Beam Width	
1.7	1027	0.9	0.9
3.3	273	1.8	1.8
5.0	199	2.7	2.7
6.7	66.1	3.6	3.6
8.3	43.1	4.5	4.5
10.0	29.7	5.4	5.4

Degrees Vertical	Candela
0.0	2968
5.0	2773
10.0	2197
15.0	1496
20.0	967
25.0	585
30.0	308
35.0	135
40.0	47
45.0	26
50.0	21
55.0	14
60.0	9
65.0	0
70.0	0
75.0	0
80.0	0
85.0	0
90.0	0

Zone	Lumens	% Luminaire
0-30	921.8	88.8
0-40	1014.7	97.8
10-60	1037.5	100.0
60-90	0.2	0.0
0-90	1037.7	100.0
90-180	0.0	0.0
0-180	1037.7	100.0

30° Distribution

Test Number
 103233437CRT-016
Model
 V2CRSU-0735K-M
Lumens
 829.6
Efficacy
 86.3
SC
 0.

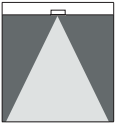
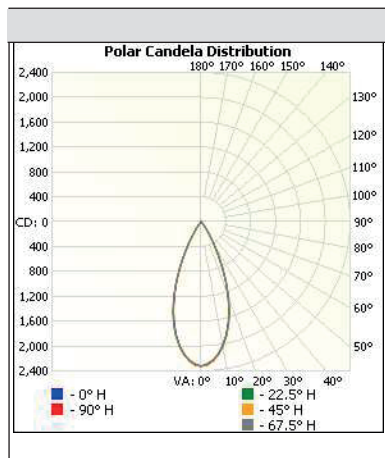
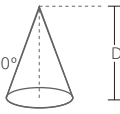
	Center Beam fc	Beam Width	
1.7	759	1.0	1.0
3.3	201	2.0	2.0
5.0	87.7	3.1	3.0
6.7	48.9	4.1	4.1
8.3	31.8	5.1	5.0
10.0	21.9	6.1	6.1

Degrees Vertical	Candela
0.0	2193
5.0	2080
10.0	1761
15.0	1289
20.0	829
25.0	481
30.0	237
35.0	90
40.0	19
45.0	7
50.0	2
55.0	0
60.0	0
65.0	0
70.0	0
75.0	0
80.0	0
85.0	0
90.0	0

Zone	Lumens	% Luminaire
0-30	757.4	91.3
0-40	821.0	99.0
10-60	829.6	100.0
60-90	0.0	0.0
0-90	829.6	100.0
90-180	0.0	0.0
0-180	829.6	100.0

45° Distribution

Test Number
 103233437CRT-015
Model
 V2CRSU-1335K-W
Lumens
 1154.5
Efficacy
 85.7
SC
 0.972

	Center Beam fc	Beam Width	
1.7	803	1.3	1.3
3.3	213	2.6	2.6
5.0	92.8	3.9	3.9
6.7	51.7	5.2	5.2
8.3	33.7	6.5	6.5
10.0	23.2	7.7	7.7

Degrees Vertical	Candela
0.0	2320
5.0	2241
10.0	2017
15.0	1686
20.0	1267
25.0	801
30.0	398
35.0	142
40.0	33
45.0	11
50.0	4
55.0	0
60.0	0
65.0	0
70.0	0
75.0	0
80.0	0
85.0	0
90.0	0

Zone	Lumens	% Luminaire
0-30	1038.8	90.0
0-40	1141.6	98.9
10-60	1154.4	100.0
60-90	0.0	0.0
0-90	1154.5	100.0
90-180	0.0	0.0
0-180	1154.4	100.0

CAPELA Lumen Output Multipliers

CRI	MULTIPLIER	KELVIN	MULTIPLIER	FINISH	MULTIPLIER
80	1	4000K	1.036	SCL	1
90	0.82	3500K	1	SGC	0.95
		3000K	0.974	WHT	0.87
		2700K	0.94		