

Catalog #	Quantity
Project	
Notes	Date
Prepared by	

# 2" LED/Capela™

LED 2" Open Downlight, 700-1300 Lumens



\*New construction frame sold separately

2700K 3000K 3500K 4000K



## Features

### Optics

Soft glow clear, specular clear and white finishes  
Efficient optical design  
15, 30, and 45 degree beam spreads

### Controls

0-10V to 1% driver standard  
0-10V to 0.1% &, Lutron, & Triac/Forward phase optional

### Construction

Self-flanged cold-rolled steel housing  
Polyester powder coat  
Torsion springs for maximum ceiling retention  
Standard IC-rated up to 2,000 lumens  
Optional new construction frame with quick connect

### Electrical

High flux CoB array  
80+ CRI standard, 90+ CRI optional  
2700K, 3000K, 3500K, 4000K standard  
High-performance Dim-to-Warm optional  
70% lumen maintenance at 50,000 hours  
Tested according to LM-79 and LM-80 standards  
120 - 277V Universal Input standard

### Listings

ETL certified to UL 1598 and UL 8750 requirements  
Energy Star certified  
Suitable for damp locations; Wet location under covered ceiling;  
Not recommended for outdoor use  
Buy American Act

### Warranty

5-year limited warranty. Complete warranty terms located at:  
<http://vantageltg.com/product-warranty/>

## Ordering Information

EXAMPLE: V2COR-0730K-L2070-SGC-N-WHT

Series/Source	Voltage	Nominal Lumens	Kelvin	Reflector	Finish	Distribution	Flange Color	Frame	Options
V2COR 2" round, Open	U - 120V-277V 1 - 120 Volts <sup>1</sup> 3 - 347 Volts <sup>3</sup>	-07 - 700 -13 - 1300	27K - 2700K 30K - 3000K 35K - 3500K 40K - 4000K DTW - Dim- to-Warm	L2070	SCL SGC WHT	N M W	WHT BLK	NCFAQ <i>New Construction Frame w/ Advanced QuickConnect RMDL Remodeler</i>	DL-2 <sup>2</sup> DL-3 <sup>2</sup> EM <sup>2</sup> HCR LDE1 <sup>2</sup> TDM <sup>1</sup> XDM <sup>2</sup>

### Notes

<sup>1</sup>TDM - available only in 120V

<sup>2</sup>Lutron Drivers - please consult factory

<sup>3</sup>Step-down Transformer

### Kelvin Options

DTW - Dimmable  
3000K to 1800K

### Reflector Finish Options

SCL - Specular Clear  
SGC - Soft Glow Clear  
WHT - White Painted

### Distribution Options

N - 15° Distribution  
M - 30° Distribution  
W - 45° Distribution

### Frame

NCFAQ - New Construction Frame w/ Advanced QuickConnect  
RMDL - Remodeler

### Options

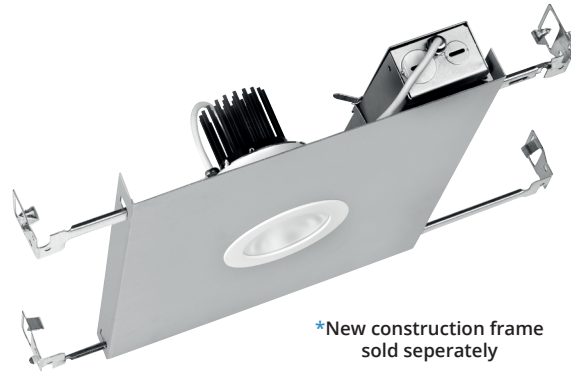
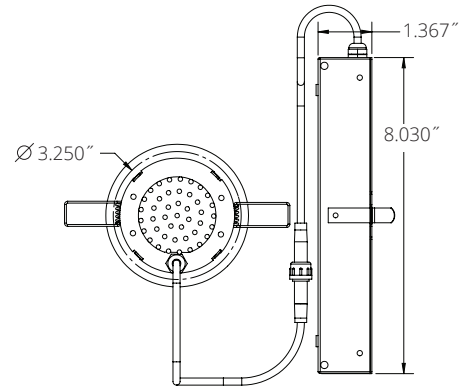
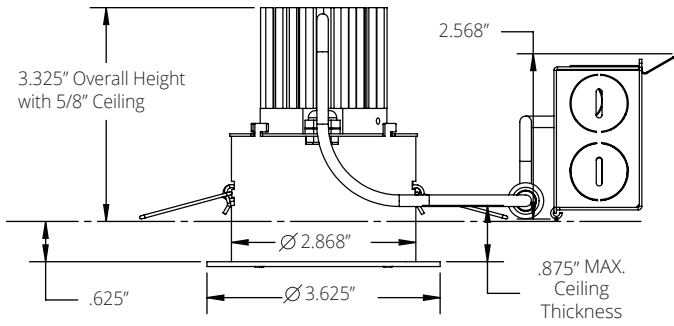
DL-2<sup>2</sup> - Lutron 2 wire HiLume Dimming Driver  
DL-3<sup>2</sup> - Lutron 3 wire HiLume Dimming Driver  
EM<sup>2</sup> - Emergency battery back-up. Remote test button & indicator Light

HCR - 90+ CRI  
LDE1<sup>2</sup> - Lutron EcoSystem Fade-to-Black™  
TDM<sup>1</sup> - Triac Dimming Driver (Forward Phase)  
XDM<sup>2</sup> - 0-10V 0.1% Dimming

Vantage reserves the right to change components, finishes or design details in any manner which does not alter the installed appearance or reduce performance and intended function. | Capela™ is a trademark of Vantage Lighting.

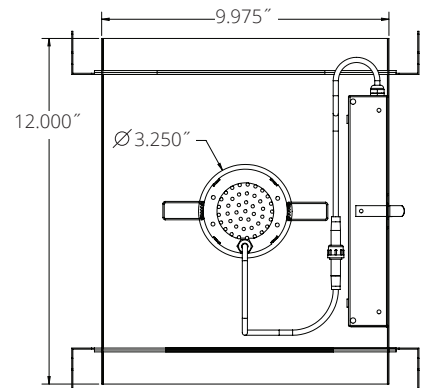
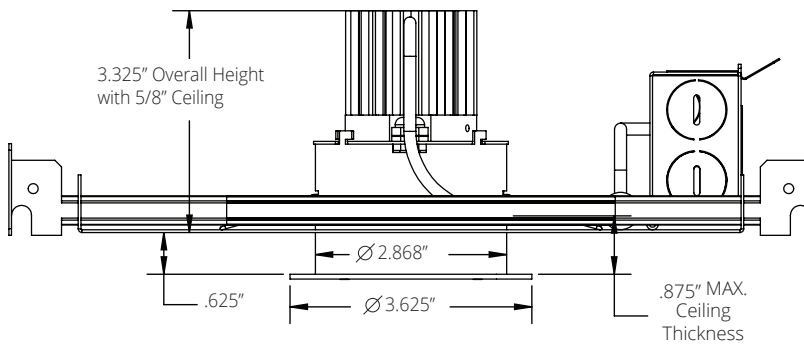
## Dimensional Data: LED 2" Open Downlight

Ceiling Cut Out 3.250"



\*New construction frame sold separately

Ceiling Cut Out 3.250"



### Lumens/Wattage

Nominal Lumens	Wattage*	CCT*
700	7.56	3500K
1300	12.7	3500K

*\*Actual Wattage/Lumens may vary.*

### Emergency Lumen Output

Nominal Lumens	Wattage*	CCT*
300	2.5	3500K

*\*Actual Wattage/Lumens may vary.*


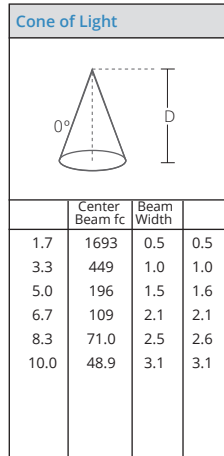
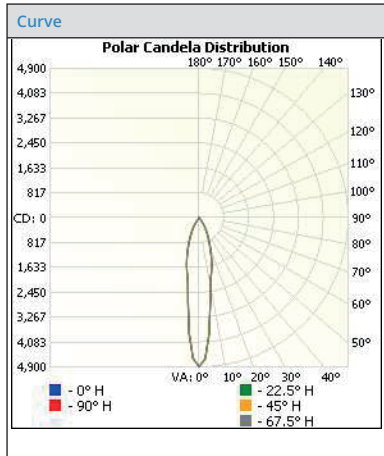
### Dim-to-Warm Performance

Nominal Lumens	Wattage	100%			1%			
		CCT	CRI	R9	Wattage	CCT	CRI	R9
700	9.7	3100	95	85	2.9	1800	95	85
1300	13.2	3100	95	85	3.3	1800	95	85

# Photometrics

## 15° Distribution

**Test Number**  
 103233437CRT-007  
**Model**  
 V2CORU-1335K-N  
**Lumens**  
 1220.7  
**Efficacy**  
 88.3  
**SC**  
 0.989

**Candela Table**


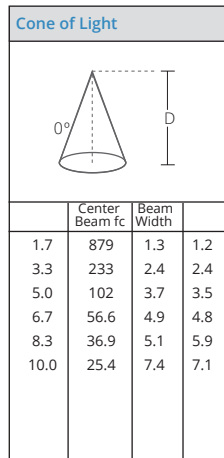
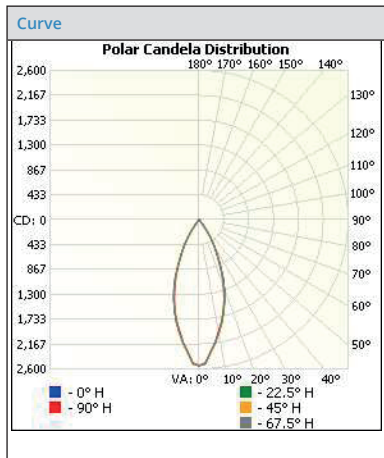
Degrees Vertical	Candela
0.0	4894
5.0	3787
10.0	2098
15.0	1579
20.0	1073
25.0	690
30.0	429
35.0	172
40.0	34
45.0	12
50.0	7
55.0	10
60.0	19
65.0	13
70.0	7
75.0	4
80.0	2
85.0	1
90.0	0

**Zonal Lumen Summary**

Zone	Lumens	% Luminaire
0-30	1059.7	86.8
0-40	1278.9	96.6
10-60	1201.8	98.4
60-90	19.0	1.6
0-90	1220.7	100.0
90-180	0.0	0.0
0-180	1220.7	100.0

## 30° Distribution

**Test Number**  
 103233437CRT-005  
**Model**  
 V2CORU-1335K-M  
**Lumens**  
 1233.7  
**Efficacy**  
 87.4  
**SC**  
 0.989

**Candela Table**

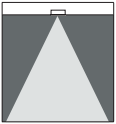
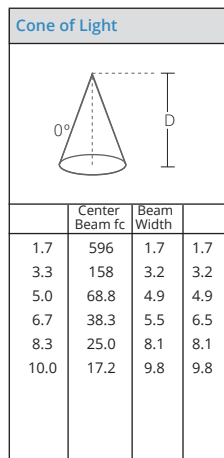
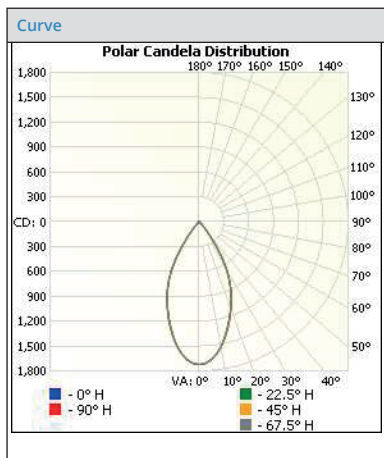
Degrees Vertical	Candela
0.0	2541
5.0	2313
10.0	2000
15.0	1653
20.0	1286
25.0	871
30.0	526
35.0	229
40.0	53
45.0	17
50.0	7
55.0	5
60.0	4
65.0	2
70.0	2
75.0	2
80.0	1
85.0	0
90.0	0

**Zonal Lumen Summary**

Zone	Lumens	% Luminaire
0-30	1057.5	85.7
0-40	1205.9	97.7
10-60	1228.7	99.6
60-90	5.0	0.4
0-90	1233.7	100.0
90-180	0.0	0.0
0-180	1233.7	100.0

## 45° Distribution

**Test Number**  
 103233437CRT-006  
**Model**  
 V2CORU-1335K-W  
**Lumens**  
 1212.9  
**Efficacy**  
 87.2  
**SC**  
 0.989

**Candela Table**

Degrees Vertical	Candela
0.0	1721
5.0	1674
10.0	1526
15.0	1322
20.0	1114
25.0	908
30.0	658
35.0	339
40.0	124
45.0	45
50.0	9
55.0	2
60.0	2
65.0	1
70.0	0
75.0	0
80.0	0
85.0	0
90.0	0

**Zonal Lumen Summary**

Zone	Lumens	% Luminaire
0-30	933.5	77.0
0-40	1162.2	95.8
10-60	1209.6	99.7
60-90	3.3	0.3
0-90	1212.9	100.0
90-180	0.0	0.0
0-180	1212.9	100.0

**CAPELA Lumen Output Multipliers**

CRI	MULTIPLIER	KELVIN	MULTIPLIER	FINISH	MULTIPLIER
80	1	4000K	1.036	SCL	1
90	0.82	3500K	1	SGC	0.95
		3000K	0.974	WHT	0.87
		2700K	0.94		