



LTL NUMBER: 06868

DATE: 08-01-2002

PREPARED FOR: VANTAGE LUMINAIRES

CATALOG NUMBER: PA8INCA08000SCL

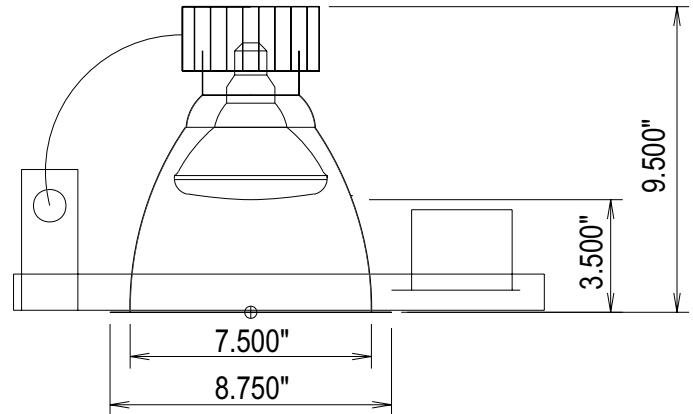
LUMINAIRE: FORMED STEEL HOUSING, SPUN SPECULAR ALUMINUM REFLECTOR, NO ENCLOSURE.

LAMP: ONE SYLVANIA 150PAR38/CAP/FL 150 WATT PAR38 HALOGEN RATED AT 2,200 LUMENS.

MOUNTING: RECESSED

#06868

DEG	CANDELA	LUMENS
0	5722	
5	5292	487
15	3556	935
25	1081	500
35	208	129
45	14	8
55	0	0
65	0	0
75	0	0
85	0	0
90	0	0



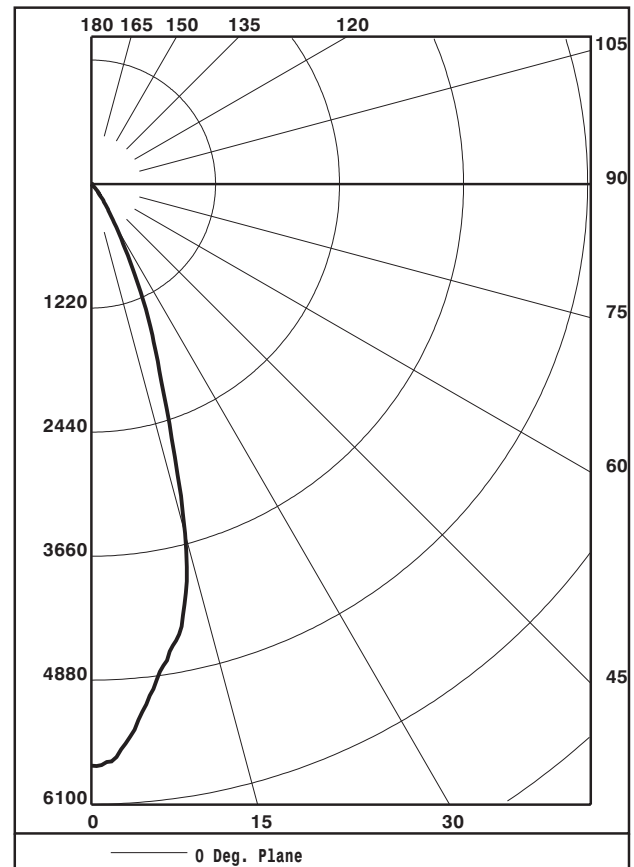
ZONAL LUMEN SUMMARY

ZONE	LUMENS	%LAMP	%FIXT
0- 30	1921	87.3	93.3
0- 40	2050	93.2	99.6
0- 60	2059	93.6	100.0
0- 90	2059	93.6	100.0
90-180	0	0.0	0.0
0-180	2059	93.6	100.0

TOTAL LUMINAIRE EFFICIENCY: 93.6%
 CIE TYPE: DIRECT
 LUMINAIRE SPACING CRITERION = 0.5
 LUMINOUS DIAMETER: 7.500

LUMINANCE IN CANDELA PER SQUARE METER

ANGLE IN DEG	AVERAGE
0	200741.
45	695.
55	0.
65	0.
75	0.
85	0.



TESTED BY HERSCHEL SCHRECK
 CHECKED BY MIKE GRATHER



LUMINAIRE TESTING LABORATORY, INC.



905 Harrison Street · Allentown, PA 18103 · (610) 770-1044 · Fax (610) 770-8912 · www.LuminaireTesting.com

LTL NUMBER: 06868

DATE: 08-01-2002

PREPARED FOR: VANTAGE LUMINAIRES

COEFFICIENTS OF UTILIZATION - ZONAL CAVITY METHOD
EFFECTIVE FLOOR CAVITY REFLECTANCE 0.20

Table with 10 columns (RC, RW, 80, 70, 50, 30, 10, 0) and 11 rows (0-10) showing utilization coefficients.

CANDELA DISTRIBUTION

Table with 2 columns: Candela value and frequency distribution.

ZONAL LUMEN SUMMARY

Table with 3 columns: Zonal range, Lumen value, and Summary value.

THIS TEST WAS CONDUCTED USING RELATIVE PHOTOMETRY TECHNIQUES ACCORDING TO STANDARD IESNA PROCEDURES. THE USER MUST THEREFORE USE CAUTION IN THE FOLLOWING SITUATIONS: 1) ACCORDING TO IESNA PROCEDURES, THE BALLAST(S) AND LAMP(S) ARE PRESUMED TO PRODUCE 100% OF RATED OUTPUT. AN APPROPRIATE BALLAST FACTOR MUST BE APPLIED TO THE LUMEN OUTPUT RATINGS AND LUMINOUS INTENSITY VALUES GIVEN. 2) THIS TEST WAS CONDUCTED IN A CONTROLLED LABORATORY ENVIRONMENT, FIELD PERFORMANCE MAY DIFFER.



LTL TEST #06868

CIRCLE-OF-LIGHT

Ft below	FC nadir	Dia @ 50%
6.0	158.9	3.4
8.0	89.4	4.6
10.0	57.2	5.7
12.0	39.7	6.8
14.0	29.2	8.0
16.0	22.4	9.1

NOTE: 'Dia' spans the edge-points that are half of nadir FC