



LTL NUMBER: 06626 DATE: 03-25-2002
PREPARED FOR: VANTAGE LUMINAIRES
CATALOG NUMBER: 8INC08600SCL
LUMINAIRE: FORMED STEEL HOUSING, SPUN SEMI-SPECULAR ALUMINUM REFLECTOR, NO ENCLOSURE.
LAMP: ONE GE 200A21/IF 200 WATT A21 INCANDESCENT RATED AT 3920 LUMENS.
MOUNTING: RECESSED

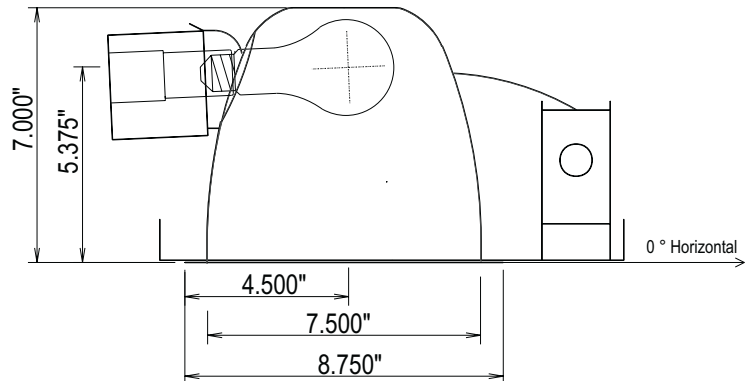
Table with 11 columns: CANDELA DISTRIBUTION (0.0 to 180.0) and FLUX (237 to 0). Rows represent beam angles from 0 to 90 degrees.

Table with 4 columns: ZONAL LUMEN SUMMARY (ZONE, LUMENS, %LAMP, %FIXT). Rows show lumen distribution for zones from 0-30 to 0-180 degrees.

TOTAL LUMINAIRE EFFICIENCY: 81.7%
CIE TYPE: DIRECT
PLANE: 0-DEG 90-DEG 180-DEG
SPACING CRITERIA: 0.5 0.7 0.8
LUMINOUS DIAMETER: 7.500

Table with 4 columns: LUMINANCE IN CANDELA PER SQUARE METER (ANGLE IN DEG, AVERAGE 0-DEG, AVERAGE 45-DEG, AVERAGE 90-DEG). Rows show luminance values for angles from 0 to 85 degrees.

#06626



TESTED BY HERSCHEL SCHRECK
CHECKED BY MIKE GRATHER



LTL NUMBER: 06626
PREPARED FOR: VANTAGE LUMINAIRES

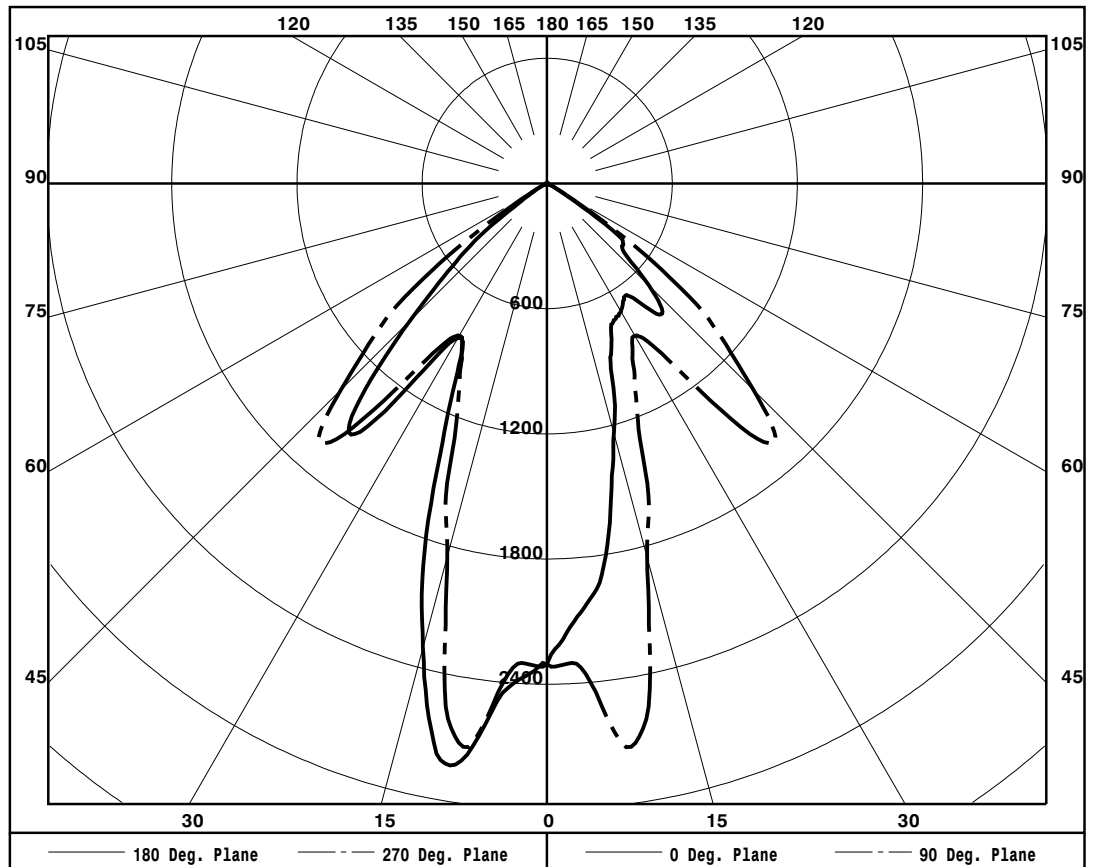
DATE: 03-25-2002

CANDELA DISTRIBUTION

Table with 11 columns representing angles from 0.0 to 180.0 and 11 rows representing candela values at various angles.

ZONAL LUMEN SUMMARY

Table with 2 columns: angle ranges (e.g., 0-5, 5-10) and corresponding zonal lumen values.





LUMINAIRE TESTING LABORATORY, INC.



905 Harrison Street · Allentown, PA 18103 · (610) 770-1044 · Fax (610) 770-8912 · www.LuminaireTesting.com

LTL NUMBER: 06626

DATE: 03-25-2002

PREPARED FOR: VANTAGE LUMINAIRES

COEFFICIENTS OF UTILIZATION - ZONAL CAVITY METHOD

EFFECTIVE FLOOR CAVITY REFLECTANCE 0.20

RC	80				70				50			30			10			0
	70	50	30	10	70	50	30	10	50	30	10	50	30	10	50	30	10	0
0	97	97	97	97	95	95	95	95	91	91	91	87	87	87	83	83	83	82
1	92	89	87	85	90	88	86	84	84	83	81	81	80	79	78	77	76	75
2	87	82	79	75	85	81	77	75	78	75	73	76	73	71	73	72	70	68
3	81	75	71	67	80	74	70	66	72	68	65	70	67	64	68	66	63	62
4	76	69	64	60	75	68	63	60	66	62	59	65	61	58	63	60	58	56
5	71	63	58	54	70	63	57	54	61	57	53	60	56	53	58	55	52	51
6	67	58	52	48	65	57	52	48	56	51	48	55	50	47	54	50	47	45
7	62	53	47	43	60	52	46	42	51	46	42	50	45	42	49	45	42	40
8	57	48	42	38	56	47	42	38	46	41	38	45	41	37	45	40	37	36
9	53	44	38	34	52	43	38	34	42	37	34	41	37	33	41	36	33	32
10	49	40	34	30	48	39	34	30	39	33	30	38	33	30	37	33	30	28

NOTE: THE ZONAL CAVITY CALCULATION TECHNIQUE IS ACCURATE WHEN LUMINAIRES WITH SYMMETRIC CANDELA DISTRIBUTIONS ARE EMPLOYED AND WHEN THE LUMINAIRES ARE LOCATED SYMMETRICALLY THROUGHOUT THE ROOM. THIS UNIT HAS SPECIAL CHARACTERISTICS AND THEREFORE THESE COEFFICIENTS SHOULD BE USED WITH CAUTION.

THIS TEST WAS CONDUCTED USING RELATIVE PHOTOMETRY TECHNIQUES ACCORDING TO STANDARD IESNA PROCEDURES. THE USER MUST THEREFORE USE CAUTION IN THE FOLLOWING SITUATIONS: 1) ACCORDING TO IESNA PROCEDURES, THE BALLAST(S) AND LAMP(S) ARE PRESUMED TO PRODUCE 100% OF RATED OUTPUT. AN APPROPRIATE BALLAST FACTOR MUST BE APPLIED TO THE LUMEN OUTPUT RATINGS AND LUMINOUS INTENSITY VALUES GIVEN. 2) THIS TEST WAS CONDUCTED IN A CONTROLLED LABORATORY ENVIRONMENT, FIELD PERFORMANCE MAY DIFFER.



LTL NUMBER: 06626

DATE: 03-25-2002

PREPARED FOR: VANTAGE LUMINAIRES

VISUAL COMFORT PROBABILITY TABLE

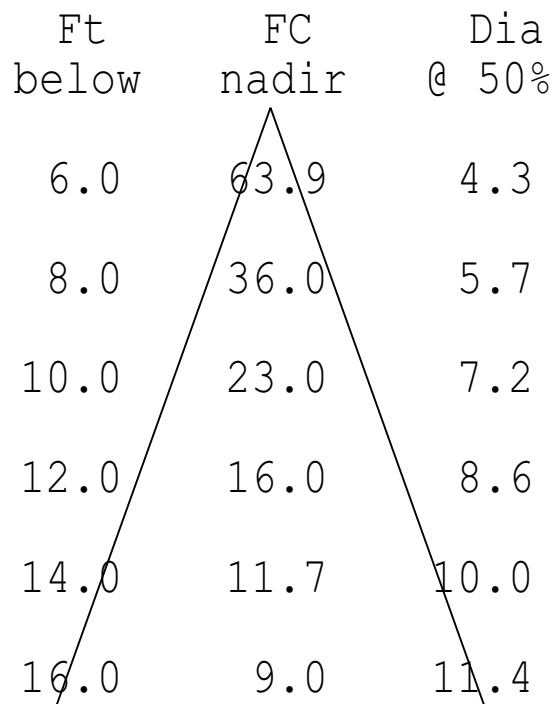
RATED LUMENS PER LAMP 3920.

100. FC. ROOM		REFLECTANCES 80/50/20 LUMINAIRES 0 DEG PLANE				LUMINAIRES 90 DEG PLANE			
W	L	8.5	10.0	13.0	16.0	8.5	10.0	13.0	16.0
20	20	57	39	26	19	44	29	17	10
20	30	60	43	34	24	49	34	24	14
20	40	63	47	39	29	52	38	29	18
20	60	64	50	43	33	55	42	33	21
30	20	63	47	33	20	52	38	23	12
30	30	66	51	40	25	56	42	30	17
30	40	68	54	45	30	59	46	35	21
30	60	69	56	49	34	61	49	39	25
30	80	70	58	51	38	63	52	43	28
40	20	68	52	39	24	57	44	29	16
40	30	70	55	46	30	61	48	36	21
40	40	71	58	50	35	63	52	41	25
40	60	71	60	53	39	65	54	45	29
40	80	72	62	56	42	67	56	48	33
40	100	72	64	58	45	67	59	51	36
60	30	72	58	50	34	64	51	41	25
60	40	72	61	54	39	66	55	45	30
60	60	73	63	57	43	68	57	49	34
60	80	74	64	59	46	70	60	52	37
60	100	74	66	61	49	70	62	54	40
100	40	74	64	58	44	69	58	50	34
100	60	75	65	61	47	71	60	54	39
100	80	76	67	63	51	72	62	56	42
100	100	76	69	64	53	72	65	59	45



LTL TEST #06626

CIRCLE-OF-LIGHT



NOTE: 'Dia' spans the edge-points that are half of nadir FC