



LTL NUMBER: 06035

DATE: 07-10-2001

PREPARED FOR: VANTAGE LUMINAIRES

CATALOG NUMBER: 6INC-A6000SCL

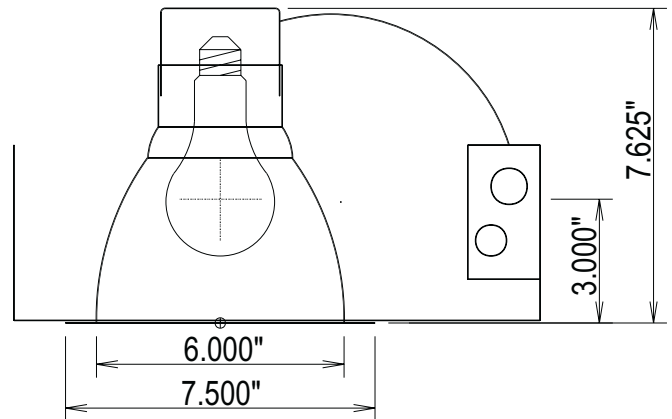
LUMINAIRE: FORMED STEEL HOUSING, SPUN SEMI-SPECULAR ALUMINUM REFLECTOR IN LOWER POSITION, NO ENCLOSURE.

LAMP: ONE GE 150A STANDARD 150 WATT A21 INCANDESCENT RATED AT 2880 LUMENS.

MOUNTING: RECESSED

#06035

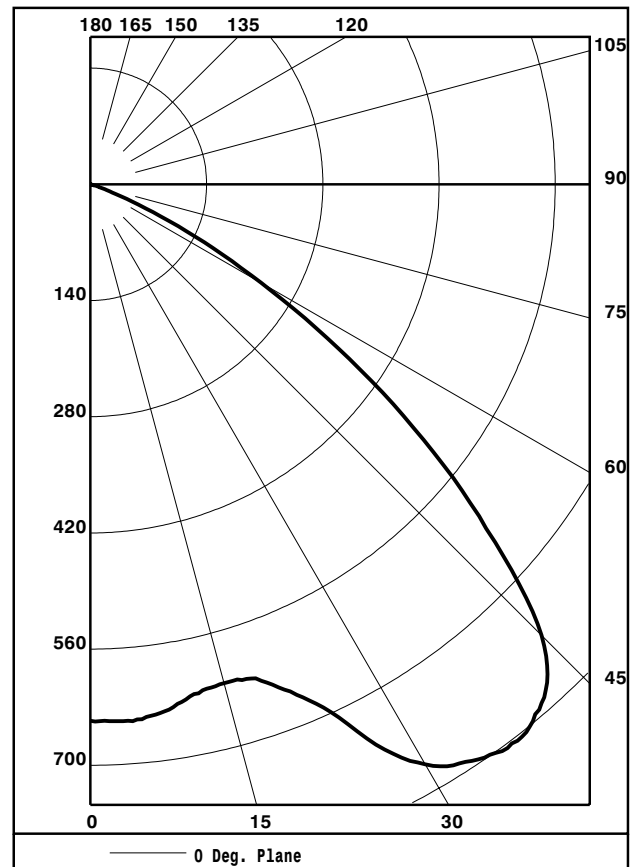
DEG	CANDELA	LUMENS
0	646	
5	647	61
15	622	177
25	709	335
35	839	526
45	768	579
55	413	369
65	104	108
75	4	7
85	0	0
90	0	



ZONAL ZONE	LUMEN LUMENS	%LAMP	%FIXT
0- 30	573	19.9	26.5
0- 40	1099	38.1	50.8
0- 60	2047	71.1	94.7
0- 90	2162	75.1	100.0
90-180	0	0.0	0.0
0-180	2162	75.1	100.0

TOTAL LUMINAIRE EFFICIENCY: 75.1%
 CIE TYPE: DIRECT
 LUMINAIRE SPACING CRITERION = 1.7
 LUMINOUS DIAMETER: 6.000

ANGLE IN DEG	AVERAGE LUMINANCE IN CANDELA PER SQUARE METER
0	35411.
45	59537.
55	39470.
65	13489.
75	847.
85	0.



TESTED BY HERSCHEL SCHRECK
 CHECKED BY MIKE GRATHER



LTL NUMBER: 06035

DATE: 07-10-2001

PREPARED FOR: VANTAGE LUMINAIRES

COEFFICIENTS OF UTILIZATION - ZONAL CAVITY METHOD
EFFECTIVE FLOOR CAVITY REFLECTANCE 0.20

Table with 17 columns: RC, RW, and four groups of four columns representing different cavity heights (80, 70, 50, 30, 10, 0). Rows represent different heights from 0 to 10.

CANDELA DISTRIBUTION

Table with 2 columns: Height (0 to 90) and Candela value.

ZONAL LUMEN SUMMARY

Table with 2 columns: Height range (0-5 to 85-90) and Lumen value.

THIS TEST WAS CONDUCTED USING RELATIVE PHOTOMETRY TECHNIQUES ACCORDING TO STANDARD IESNA PROCEDURES. THE USER MUST THEREFORE USE CAUTION IN THE FOLLOWING SITUATIONS: 1) ACCORDING TO IESNA PROCEDURES, THE BALLAST(S) AND LAMP(S) ARE PRESUMED TO PRODUCE 100% OF RATED OUTPUT. AN APPROPRIATE BALLAST FACTOR MUST BE APPLIED TO THE LUMEN OUTPUT RATINGS AND LUMINOUS INTENSITY VALUES GIVEN. 2) THIS TEST WAS CONDUCTED IN A CONTROLLED LABORATORY ENVIRONMENT, FIELD PERFORMANCE MAY DIFFER.



LUMINAIRE TESTING LABORATORY, INC.



905 Harrison Street · Allentown, PA 18103 · (610) 770-1044 · Fax (610) 770-8912 · www.LuminaireTesting.com

LTL NUMBER: 06035

DATE: 07-10-2001

PREPARED FOR: VANTAGE LUMINAIRES

VISUAL COMFORT PROBABILITY TABLE

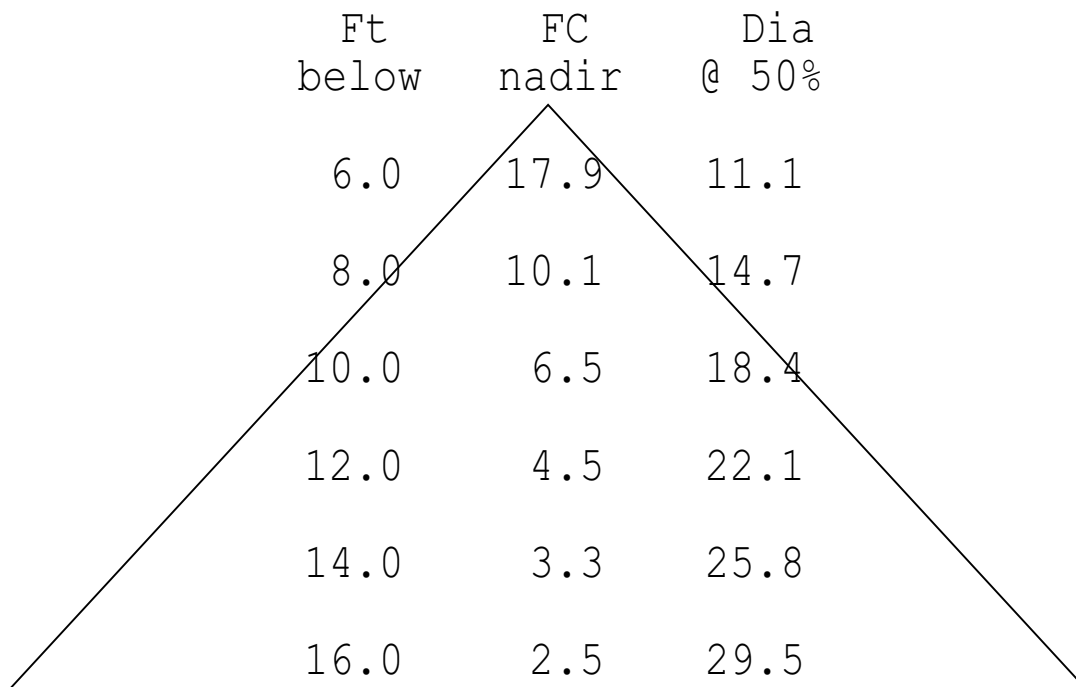
RATED LUMENS PER LAMP 2880.

100. FC. ROOM		REFLECTANCES 80/50/20 LUMINAIRES 0 DEG PLANE				LUMINAIRES 90 DEG PLANE			
W	L	8.5	10.0	13.0	16.0	8.5	10.0	13.0	16.0
20	20	24	15	11	12	24	15	11	12
20	30	30	20	13	10	30	20	13	10
20	40	30	24	17	13	30	24	17	13
20	60	30	24	21	16	30	24	21	16
30	20	31	20	13	13	31	20	13	13
30	30	36	25	15	11	36	25	15	11
30	40	36	28	19	13	36	28	19	13
30	60	36	28	23	17	36	28	23	17
30	80	36	28	23	17	36	28	23	17
40	20	36	26	17	14	36	26	17	14
40	30	39	31	19	13	39	31	19	13
40	40	39	33	23	15	39	33	23	15
40	60	39	33	27	19	39	33	27	19
40	80	39	33	27	19	39	33	27	19
40	100	39	33	27	19	39	33	27	19
60	30	39	31	23	15	39	31	23	15
60	40	39	33	27	18	39	33	27	18
60	60	39	33	30	21	39	33	30	21
60	80	39	33	30	21	39	33	30	21
60	100	39	33	30	21	39	33	30	21
100	40	39	33	28	22	39	33	28	22
100	60	39	33	31	25	39	33	31	25
100	80	39	33	31	25	39	33	31	25
100	100	39	33	31	25	39	33	31	25



LTL TEST #06035

CIRCLE-OF-LIGHT



NOTE: 'Dia' spans the edge-points that are half of nadir FC