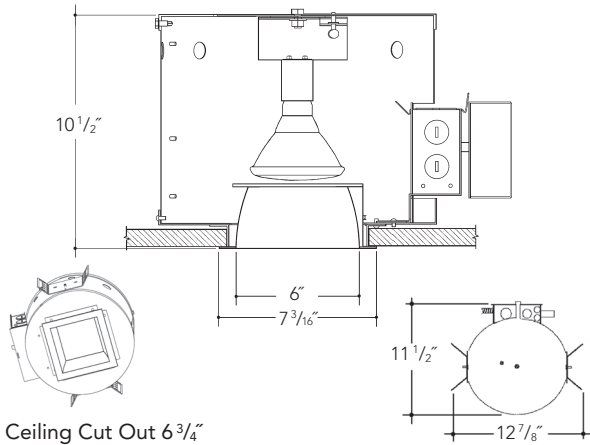


DIMENSIONS



Ceiling Cut Out 6 3/4"

FEATURES

Adjustable height electrogalvanized plated steel mounting ears with cutouts for various mounting methods. Standard bars (included) are innovative and incorporate rigid formed cross sections, joint positioning tabs, integral nails, auxiliary nailholes, T-Bar slots and holes for locking bars to T-Bar using #8 self-tapping screws (supplied by others). Bars extend 14"-24". Ears will also accept Caddy Bar #517B for fast installation in T-Bar ceilings, bars extend 27".

Heavy gauge electrogalvanized steel junction box, prewired and grounded with easy access from below. Listed through branch circuit wiring. *UL Listed*. Thermal cutout provided.

UL Listed medium base porcelain socket, with nickel plated brass screw shell.

Housing is formed of heavy gauge electrogalvanized steel with integral venting for cool operation and extended lamp life.

Square "Alzak" aperture trim, die formed, mitered corners, self trimming flange and positive spring retention clips.

Integral 3/4" plaster frame.

Features



Manufactured and Listed to UL 1598, ETL and CSA standards.
Suitable for Damp Locations.
Wet location under covered ceiling.

ORDERING INFORMATION

REFLECTOR KIT

OPEN

PAR38 6" Aperture

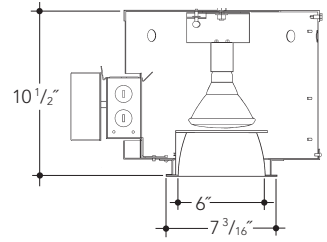
VGS6600 6" x 6" Square, Open

Finish Options

- SCL Specular Clear "Alzak"
- SGC Soft Glow Clear
- ECL Etch Clear
- WHT White Reflector

Options

- PF Polished Flange



LENSED

PAR38 6" Aperture

- VGS6611 Tempered Clear
- VGS6614 Tempered Prismatic
- VGS66FRO Frosted

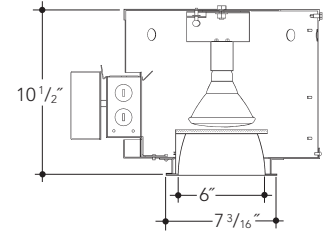
Reflector standard Clear "Alzak".
Other options consult factory.

Splay/Lens Holder Finish Options

- SCL Specular Clear "Alzak"
- SGC Soft Glow Clear
- ECL Etch Clear
- WHT White Reflector

Options

- PF Polished Flange



CROSS BAFFLE

PAR38 6" Aperture

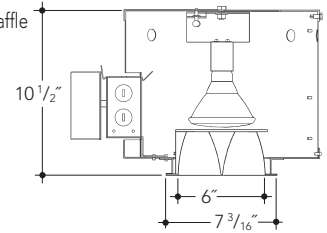
VGS6635 6" x 6" Square, Cross Baffle

Finish Options

- SCL Specular Clear "Alzak"
- SGC Soft Glow Clear
- ECL Etch Clear
- WHT White Reflector

Options

- PF Polished Flange



EXAMPLE: VGS66INC-VGS6600-SCL

Lamps and Wattage	Housing	Reflector	Finish	Options
PAR38 150 (MAX)	VGS66INC VGS66INC-GU24	VGS6600 Lensed VGS6611 VGS6614 VGS66FRO Cross Baffle VGS6635	SCL SGC ECL WHT	PF TR GSK DGSK 277 SD

Options Descriptions

- PF - Polished Flange
- TR - Tamper Resistant
- GSK - Neoprene Foam Gasketing
- DGSK - Silicone-Sealed Lens & Gasketing
- 277V SD - Step Down Transformer

Vantage reserves the right to change components, finishes or design details in any manner which does not alter the installed appearance or reduce performance and intended function.

▲ See Options pages for other options and finishes.
Vantage recommends the use of Philips or Sylvania lamps.