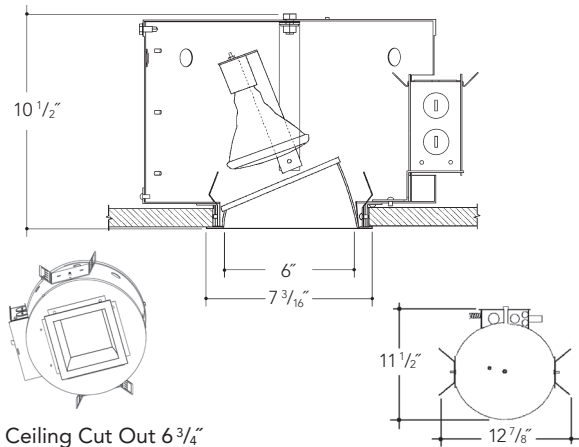


**DIMENSIONS**



Ceiling Cut Out 6 3/4"

**FEATURES**

Adjustable height electrogalvanized plated steel mounting ears with cutouts for various mounting methods. Standard bars (included) are innovative and incorporate rigid formed cross sections, joint positioning tabs, integral nails, auxiliary nailholes, T-Bar slots and holes for locking bars to T-Bar using #8 self-tapping screws (supplied by others). Bars extend 14"-24". Ears will also accept Caddy Bar #517B for fast installation in T-Bar ceilings, bars extend 27".

Heavy gauge electrogalvanized steel junction box, prewired and grounded with easy access from below. Listed for through branch circuit wiring. *UL Listed.* Thermal cutout provided.

Specification grade glazed porcelain socket with nickel plated brass screw shell. *UL Listed.* Adjustable yolk for 358° rotation and 35° elevation.

Housing is formed of heavy gauge electrogalvanized steel with integral venting for cool operation and extended lamp life.

Square "Alzak" aperture trim, die formed, mitered corners, self trimming flange and positive spring retention clips.

Integral 3/4" plaster frame.

**Features**



Manufactured and Listed to UL 1598, ETL and CSA standards.  
Suitable for Damp Locations.  
Wet location under covered ceiling.

**REFLECTOR KIT**

**OPEN**

Adjustable, PAR38 6" Aperture

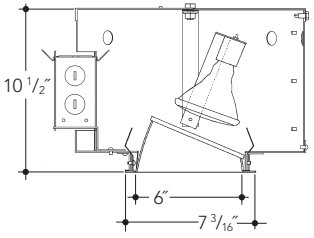
VGS6630 6" x 6" Square

**Finish Options**

- SCL Specular Clear "Alzak"
- SGC Soft Glow Clear
- ECL Etch Clear
- WHT White Reflector

**Options**

- PF Polished Flange



**LENSED WALL WASH**

Adjustable, PAR38 6" Aperture

VGS663711 Tempered Clear

VGS663714 Tempered Prismatic

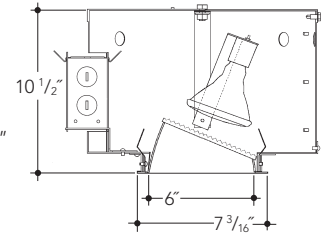
VGS6637FRO Frosted

**Finish Options**

- SCL Specular Clear "Alzak"
- SGC Soft Glow Clear
- ECL Etch Clear
- WHT White Reflector

**Options**

- PF Polished Flange



**ORDERING INFORMATION**

EXAMPLE: VGS66INCADJ-VGS6630-SCL

| Lamps and Wattage  | Housing                         | Reflector   | Finish                   | Options                            |
|--------------------|---------------------------------|---|--------------------------|------------------------------------|
| PAR38<br>150 (MAX) | VGS66INCADJ<br>VGS66INCADJ-GU24 | VGS6630<br><br>Lensed<br>VGS663711<br>VGS663714<br>VGS6637FRO | SCL<br>SGC<br>ECL<br>WHT | PF<br>TR<br>GSK<br>DGSK<br>277V SD |

**Options Descriptions**

- PF - Polished Flange
- TR - Tamper Resistant
- GSK - Neoprene Foam Gasketing
- DGSK - Silicone-Sealed Lens & Gasketing
- 277V SD - Step Down Transformer

Vantage reserves the right to change components, finishes or design details in any manner which does not alter the installed appearance or reduce performance and intended function.

▲ See Options pages for other options and finishes.  
Vantage recommends the use of Philips or Sylvania lamps.