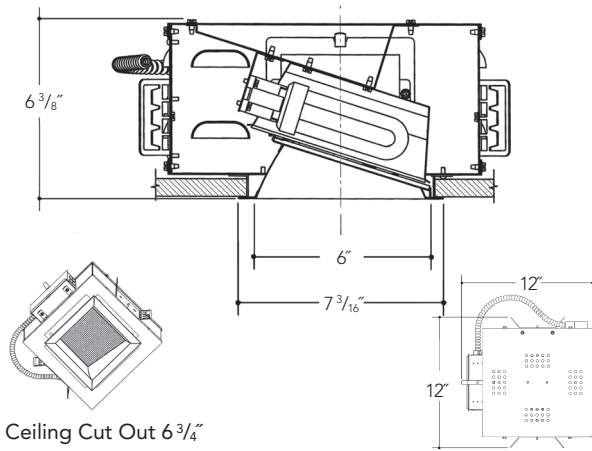


DIMENSIONS



Ceiling Cut Out 6 3/4"

FEATURES

Adjustable height electrogalvanized plated steel mounting ears with cutouts for various mounting methods. Standard bars (included) are innovative and incorporate rigid formed cross sections, joint positioning tabs, integral nails, auxiliary nailholes, T-Bar slots and holes for locking bars to T-Bar using #8 self-tapping screws (supplied by others). Bars extend 14"-24". Ears will also accept Caddy Bar #517B for fast installation in T-Bar ceilings, bars extend 27".

Heavy gauge electrogalvanized steel junction box, prewired and grounded with easy access from below. Listed for through branch circuit wiring.

Electronic ballast, Class P, 50/60 HZ-120V/277V, thermally protected, >90% Power Factor, 1.0 Ballast Factor, <15% THD. Class A sound rated. Minimum starting temperature -30°C/-20°F. *UL Listed* component.

Housing is formed of heavy gauge electrogalvanized steel with integral venting for cool operation and extended lamp life.

Precision formed aluminum specular clear low iridescent "Alzak" upper reflector.

Square "Alzak" aperture trim, die formed, mitered corners, self trimming flange and positive spring retention clips. Integral lens angled for wall wash. (-14 C73 Standard).

Integral 3/4" plaster frame.

Features



Manufactured and Listed to UL 1598, ETL and CSA standards.
Suitable for Damp Locations.
Wet location under covered ceiling.

ORDERING INFORMATION

REFLECTOR KIT

OPEN

Horizontal, Square, 1 LT 6" Aperture

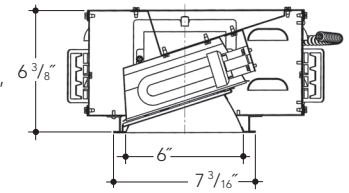
VGS6630 6" x 6" Square

Finish Options

- SCL Specular Clear "Alzak"
- SGC Soft Glow Clear
- ECL Etch Clear
- WHT White Reflector

Options

PF Polished Flange



LENSED WALL WASH

Horizontal, Square, 1 LT 6" Aperture

VGS663711 Tempered Clear

VGS663714 Tempered Prismatic

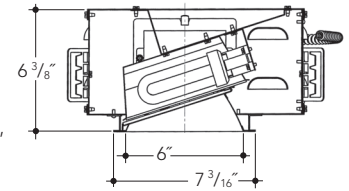
VGS6637FRO Frosted

Finish Options

- SCL Specular Clear "Alzak"
- SGC Soft Glow Clear
- ECL Etch Clear
- WHT White Reflector

Options

PF Polished Flange



EXAMPLE: VGS66HFWW118E1-2-VGS6630-SCL

Lamps and Wattage <i>Quad and Triple Tube</i>	Housing	Ballast	Reflector	Finish	Options
1x18	VGS66HFWW118	E1-2	VGS6630	SCL	EM
1x26, 1x32, 1x42	VGS66HFWW126-42	E3	Lensed	SGC	PF
		DL	Wall Wash	ECL	GSK
		DAX1	VGS663711	WHT	DGSK
		DAX2	VGS663714		
			VGS6637FRO		

Ballast Options

Electronic 120-277 volt is standard
E1-2 - Electronic (120-277V)
E3 - Electronic (347V)

Dimming Ballast Options

DL - Lutron Eco System (120-277V)
DAX1 - Advance Mark X (120V)
DAX2 - Advance Mark X (277V)

Options Descriptions

EM - Emergency Battery
PF - Polished Flange
GSK - Neoprene Foam Gasketing
DGSK - Silicone-Sealed Lens & Gasketing

Vantage reserves the right to change components, finishes or design details in any manner which does not alter the installed appearance or reduce performance and intended function.

**▲ See Options pages for other options and finishes.
Vantage recommends the use of Philips or Sylvania lamps.**