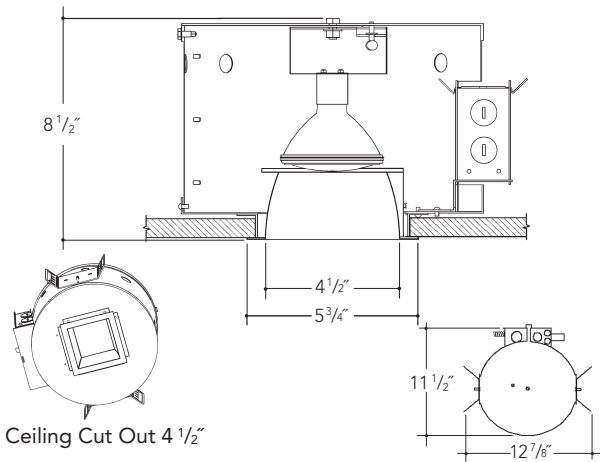


**DIMENSIONS**



Ceiling Cut Out 4 1/2"

**FEATURES**

Adjustable height electrogalvanized plated steel mounting ears with cutouts for various mounting methods. Standard bars (included) are innovative and incorporate rigid formed cross sections, joint positioning tabs, integral nails, auxiliary nailholes, T-Bar slots and holes for locking bars to T-Bar using #8 self-tapping screws (supplied by others). Bars extend 14"-24". Ears will also accept Caddy Bar #517B for fast installation in T-Bar ceilings, bars extend 27".

Heavy gauge electrogalvanized steel junction box, prewired and grounded with easy access from below. Listed for through branch circuit wiring. *UL Listed*. Thermal cutout provided.

*UL Listed* medium base porcelain short neck socket, with nickel plated brass screw shell.

Steel housing wrap with interlocking seams for strength and vents for cool operation. Aluminum housing cap also transfers heat for maximum lamp life. Top relampable.

Square "Alzak" aperture trim, die formed, mitered corners, self trimming flange and positive spring retention clips.

Integral 3/4" plaster frame.

**Features**



Manufactured and Listed to UL 1598, ETL and CSA standards.  
Suitable for Damp Locations.  
Wet location under covered ceiling.

**ORDERING INFORMATION**

**EXAMPLE: VGS44INC-VGS4400-SCL**

Lamps and Wattage	Housing	Reflector	Finish	Options
75 PAR30 (MAX)	VGS44INC VGS44INC-GU24	VGS4400 Lensed VGS4411 VGS4414 VGS44FRO	SCL SGC ECL WHT	PF TR GSK DGSK 277 SD

**REFLECTOR KIT**

**OPEN**

Vertical, PAR20/PAR30 4" Aperture

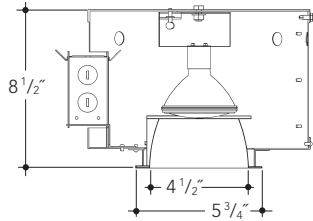
VGS4400SCL 4"x4" Vertical

**Finish Options**

- SCL Specular Clear "Alzak"
- SGC Soft Glow Clear
- ECL Etch Clear
- WHT White Reflector

**Options**

- PF Polished Flange



**LENSED**

Vertical, PAR20/PAR30 4" Aperture

VGS4411 Tempered Clear

VGS4414 Tempered Prismatic

VGS44FRO Frosted

Reflector standard Clear "Alzak".

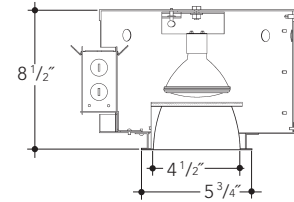
Other options consult factory.

**Splay/Lens Holder Finish Options**

- SCL Specular Clear "Alzak"
- SGC Soft Glow Clear
- ECL Etch Clear
- WHT White

**Options**

- PF Polished Flange



**Options Descriptions**

- PF - Polished Flange
- TR - Tamper Resistant
- GSK - Neoprene Foam Gasketing
- DGSK - Silicone-Sealed Lens & Gasketing
- 277V SD - Step Down Transformer

Vantage reserves the right to change components, finishes or design details in any manner which does not alter the installed appearance or reduce performance and intended function.

**▲ See Options pages for other options and finishes.  
Vantage recommends the use of Philips or Sylvania lamps.**