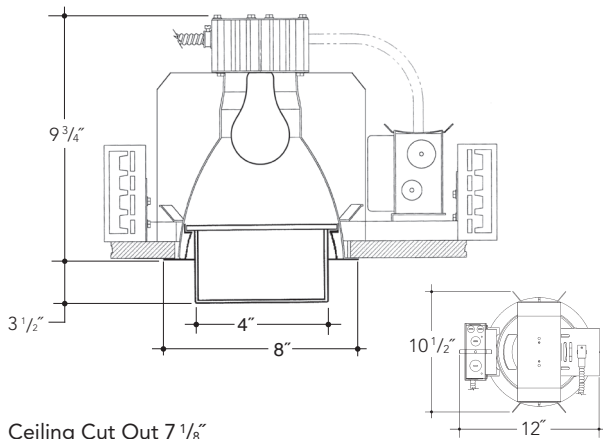


DIMENSIONS



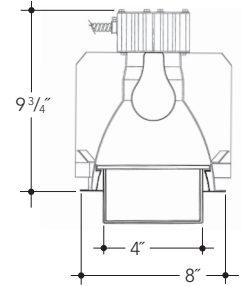
Ceiling Cut Out 7 1/8"

REFLECTOR KIT

LUNA SERIES

Vertical 7" Aperture

- VGC721-4x2.5 Luna
- Finish Options**
- SCL Specular Clear "Alzak"
- SGC Soft Glow Clear "Alzak"
- WHT White Reflector
- Options**
- PF High Polished Flange



FEATURES

Electrogalvanized steel frame components with spring steel reflector clips for fast assembly of reflector. Innovative, rigid bar hangers incorporate formed cross sections, joist positioning tabs, integral nails, auxiliary nailholes, T-Bar slots and holes for locking bars to T-Bar using #8 self-tapping screws (supplied by others). Bars extend 14"-24". Frame will also accept Caddy Bar #517B for fast installation in drop-in ceilings, bars extend 27".

Heavy gauge electrogalvanized steel junction box, prewired and grounded with easy access from below. Listed for through branch circuit wiring.

Heavy gauge spun aluminum shallow low iridescent reflector with white flange. 4" borosilicate crystal glass, sandblasted on the outside, 3 1/2" OAL below ceiling line. Polished Flange available.

Aluminum socket box with quick assembly set screws *UL Listed* socket.

Aluminum plaster ring and reflector mounting strap.

Features



Manufactured and Listed to UL 1598, ETL and CSA standards.
Suitable for Damp Locations.
Wet location under covered ceiling.

ORDERING INFORMATION

EXAMPLE: VGC7INC150-VGC721-4x2.5-SCL

Lamps and Wattage	Housing	Reflector	Finish	Options
150 PAR38 (MAX)	VGC7INC	VGC721-4x2.5	SCL	GSK
150 A21	VGC7INC-GU24		SGC	277V SD
120 BR40			WHT	347V SD
100 PAR30				

Options Descriptions

- GSK - Neoprene Foam Gasketing
- 277V SD - Step Down Transformer
- 347V SD - Step Down Transformer

Vantage reserves the right to change components, finishes or design details in any manner which does not alter the installed appearance or reduce performance and intended function.

▲ See Options pages for other options and finishes.
Suitable for use with LED lamps.