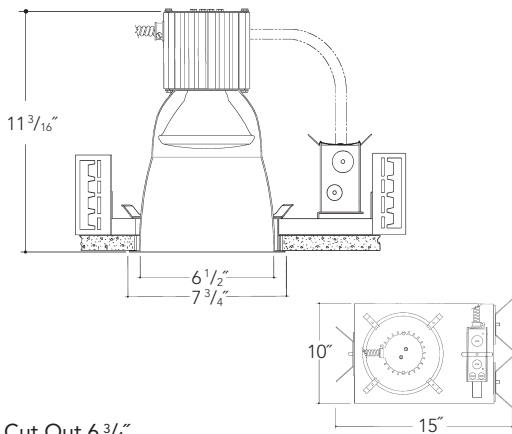


**DIMENSIONS**



Ceiling Cut Out 6 3/4"

**FEATURES**

Adjustable height electrogalvanized plated steel mounting ears with cutouts for various mounting methods. Standard bars (included) are innovative and incorporate rigid formed cross sections, joist positioning tabs, integral nails, auxiliary nailholes, T-Bar slots and holes for locking bars to T-Bar using #8 self-tapping screws (supplied by others). Bars extend 14"-24". Ears will also accept Caddy Bar #517B for fast installation in T-Bar ceilings, bars extend 27".

Heavy gauge electrogalvanized steel junction box, prewired and grounded. Listed for through branch circuit wiring. Thermal cutout provided.

Heavy gauge spun aluminum deep reflector with self trimming white painted flange. Polished Flange available.

Extruded aluminum heat sink socket cup with Zinc plated steel hardware and for fast assembly. *UL Listed* medium base porcelain socket, with nickel plated brass screw shell.

Electrogalvanized plated steel frame.

**Features**



Manufactured and Listed to UL 1598, ETL and CSA standards.  
Suitable for Damp Locations.  
Wet location under covered ceiling.

**ORDERING INFORMATION**

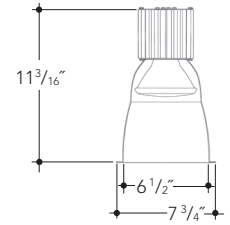
**EXAMPLE: PA77INC250-7500-SCL**

Lamps and Wattage	Housing	Reflector	Finish	Baffle	Options
250 (MAX) PAR20/30/38	PA77INC PA77INC-GU24	7500 Baffled 7550	SCL SGC ECL WHT	BL WH	R PR GSK 277V SD 347V SD

**REFLECTOR KIT**

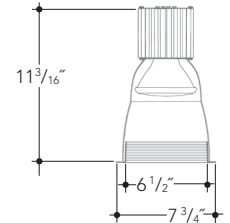
**OPEN**

Deep	7" Aperture
7500	Open
<b>Finish Options</b>	
SCL	Specular Clear "Alzak"
SGC	Soft Glow Clear
ECL	Etch Clear
WHT	White Reflector
<b>Options</b>	
PF	Polished Flange



**OPEN BAFFLED**

Deep	7" Aperture
7550	Open Baffled
<b>Finish Options</b>	
Specify reflector finish option - see above, then add baffle finish color	
BL	Black Baffle
WH	White Baffle



**Options Descriptions**

R - Remodeler  
PR - Plaster Ring  
GSK - Neoprene Foam Gasketing  
277V SD - Step Down Transformer  
347V SD - Step Down Transformer

Vantage reserves the right to change components, finishes or design details in any manner which does not alter the installed appearance or reduce performance and intended function.

▲ See Options pages for other options and finishes.  
Suitable for use with LED lamps.