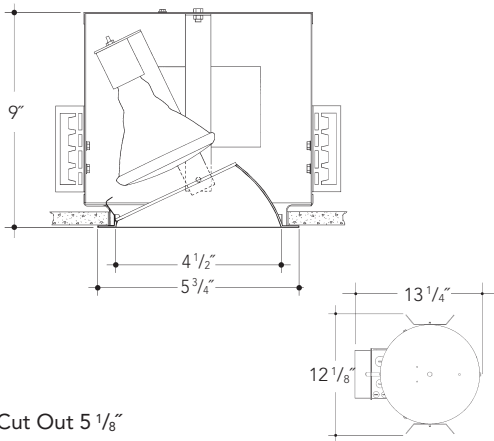


DIMENSIONS



Ceiling Cut Out 5 1/8"

FEATURES

Adjustable height electrogalvanized plated steel mounting ears with cutouts for various mounting methods. Standard bars (included) are innovative and incorporate rigid formed cross sections, joist positioning tabs, integral nails, auxiliary nail holes, T-Bar slots and holes for locking bars to T-Bar using #8 self-tapping screws (by others). Bars extend 14"-24". Ears will also accept Caddy Bar #517B for fast installation in T-Bar ceilings, bars extend 27".

Electronic ballast, thermally protected. *UL Listed* component.

Heavy gauge electrogalvanized steel junction box, prewired and grounded with easy access from below. Listed for through branch circuit wiring.

UL Listed. Specification grade open rated, pulse rated, 4KV, porcelain socket with nickel plated brass screw shell. Adjusts for 358° rotation and 35° elevation. High temperature wires connect to junction box.

Heavy gauge spun aluminum angle cut "Alzak" cone. Internal heat treated spring steel clips hold reflector tight to ceiling. White painted flange standard. Polished Flange available.

Steel housing wrap with interlocking seams for strength. Housing is top relamping with screwdriver. Housing cap is aluminum for heat transfer to ensure maximum lamp life.

Features



Manufactured and Listed to UL 1598, ETL and CSA standards.
Suitable for Damp Locations.
Wet location under covered ceiling.

ORDERING INFORMATION

EXAMPLE: PA4MHADJ39E1-2-4030-SCL

Lamps and Wattage	Housing	Ballast	Reflector	Finish	Baffle	Options
PAR20						
20	PA4MHADJ20	E1-2	4030	SCL	BL	PF
39	PA4MHADJ39	E3	Spread Lens Wall Wash 4037	SGC ECL WHT	WH	GSK

Ballast Options

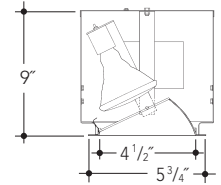
Electronic 120-277 volt is standard
E1-2 - Electronic (120-277V)
E3 - Electronic (347V)

REFLECTOR KIT

OPEN

Adjustable 4" Aperture

- 4030 Open
- Finish Options**
- SCL Specular Clear "Alzak"
- SGC Soft Glow Clear
- ECL Etch Clear
- WHT White Reflector



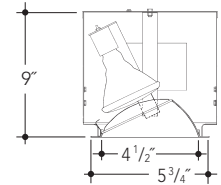
Options

- PF Polished Flange

SPREAD LENS WALL WASH

Adjustable 4" Aperture

- 4037 Spread Lens Wall Wash
- Finish Options**
- SCL Specular Clear "Alzak"
- SGC Soft Glow Clear
- ECL Etch Clear
- WHT White Reflector



Options

- PF Polished Flange

Vantage reserves the right to change components, finishes or design details in any manner which does not alter the installed appearance or reduce performance and intended function.

▲ See Options pages for other options and finishes.
Vantage recommends the use of Philips or Sylvania lamps.