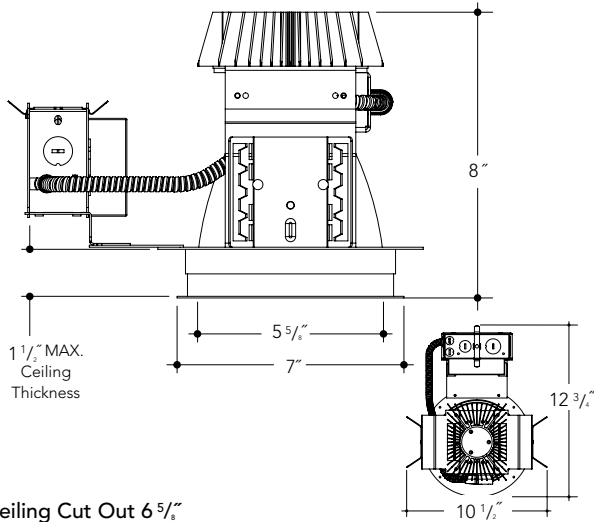


DIMENSIONS



Ceiling Cut Out 6 5/8"

FEATURES

Sylvania PrevaLED Cube LED Module

A high efficiency LED source with integrated optics. Standard light distribution at 110° for the best quality of light using a reflector or diffuser. System efficiency 90-100 lumens per watt. This fixture features an 1100, 2000, 3000 lumen PrevaLED module available in 2700, 3000, 3500 and 4000 kelvin color temperatures. Please consult factory. Standard Optotronic® solid state driver for maximum efficiency and enhanced system performance.

Benefits:

- CRI 83 for excellent light color rendering.
- 3 Step MacAdams combined with a CRI of 83 provides excellent high quality consistent color.
- System efficiency of 90-100 lumens per watt for a highly energy efficient lighting solution.
- 0-10V Dimming Driver to 10% light output standard. Optional 0-10V Dimming to 1%.
- All electronic components are covered by a 5 Year Warranty.

Frame

All aluminum construction with stainless steel and brass hardware for MRI facilities. Mounting frame with integral plaster ring and adjustable height mounting brackets with cutouts for various mounting methods. Mounting bars (included) suitable for use in MRI application. Brackets will accept C-Channel or other mounting bars (supplied by others).

LED driver remotely mounted outside MRI room. Supplied with up to 30' prewired flex aluminum conduit. 0-10V Dimmable Driver mounted on aluminum junction box with multiple knockouts for ease of installation.

RFI filters by others.

Insulation must be kept 3" away from fixture. Listed for damp locations.

REFLECTOR KIT

OPEN - LED - ROUND

LED 6" Aperture

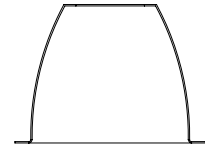
L6060 6" LED Open Round

Finish Options

- SCL Specular Clear "Alzak"
- SGC Soft Glow Clear
- ECL Etch Clear
- WHT White Reflector

Options

- PF Polished Flange



OPEN BAFFLED - LED - ROUND

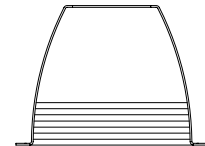
LED 6" Aperture

L6050 6" LED Open Baffled Round

Finish Options

Specify reflector finish option - see above, then add baffle finish color

- BL Black Baffle
- WH White Baffle



All trims supplied standard with white painted flange.



Manufactured and Listed to UL 1598, ETL and CSA standards. Suitable for Damp Locations. Wet location under covered ceiling.

ORDERING INFORMATION

EXAMPLE: A6VOSLEDMRI1-1127K-L6060-SGC

Wattage LED	Housing	Voltage	Lumens	Kelvin	Reflector	Finish	Baffle	Options
See Chart Below	A6VOSLEDMRI	1	-11 = 1100	27K = 2700K	L6060	SCL	BL	PF
		2	-20 = 2000	30K = 3000K	Baffled	SGC	WH	SDM
			-30 = 3000	35K = 3500K	L6050	ECL		ZDM
				40K = 4000K		WHT		

Lumens	Wattage*
1100	12W
2000	20W
3000	31W

*Actual Wattage/Lumens may vary.

Voltage
 1 - 120 Volts
 2 - 277 Volts
 3 - 347 Volt - Please Consult Factory

Options
 PF - Polished Flange
 SDM - 0-10V Dimming to 10%
 ZDM - 0-10V Dimming to 1%

Vantage reserves the right to change components, finishes or design details in any manner which does not alter the installed appearance or reduce performance and intended function.

*See LED-DD page for decorative trims options.
 ▲ See Options pages for other options and finishes.