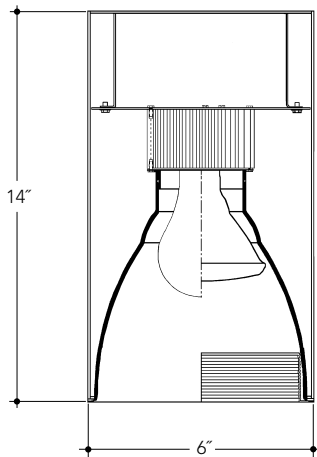


DIMENSIONS



FEATURES

Housing – .064" thick spun aluminum cylinder. Polyester powdercoat exterior finish with factory standard colors White (WHT), Black (BLK), Bronze (BZ), Silver (CS).

Socket – Pulse Rated, glazed porcelain medium base with nickel plated brass screw shell. *UL Listed.*

Reflector – Heavy gauge hand spun aluminum reflector with a specular "Alzak" finish or multi-groove baffle.

Pendant – Pendant mount accepts slope ceilings with a 45° swivel adjustment. L* – Factory stem length is 12".

Wall Bracket – Cast Aluminum Construction.

Features



Manufactured and Listed to UL 1598, ETL and CSA standards. Suitable for Damp Locations. Interior use only.

CYLINDER STYLES

OPEN OR OPEN BAFFLED

Ceiling Mount

6" Aperture

VC614INC Ceiling Mount, 6"x14", Vertical, Incandescent

Finish Options

- SCL Specular Clear "Alzak"
- SGC Soft Glow Clear
- ECL Etch Clear
- WHT White Reflector

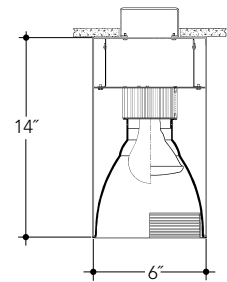
Options

- PF Polished Flange

Baffle Finish Options

Specify reflector finish option - see above, then add baffle finish color

- BL Black Baffle
- WH White Baffle

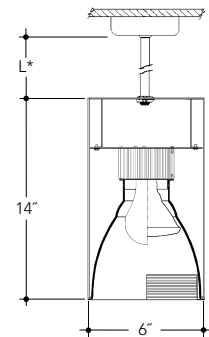


Pendant Mount

6" Aperture

VP614INC Pendant Mount, 6"x14", Vertical, Incandescent

See above for Options.

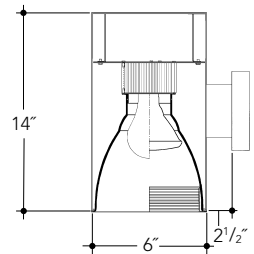


Wall Mount

6" Aperture

VW614INC Wall Mount, 6"x14", Vertical, Incandescent

See above for Options.



ORDERING INFORMATION

EXAMPLE: VC614INC1-WHT-SCL

Wattage PAR38 150	Mounting	Housing	Voltage	Color	Finish	Baffle	Options
	VC	614INC	1	WHT	SCL	BL	
	VP			BLK	SGC	WH	
	VW			BZ	ECL		
				BA	WHT		
				CS			

Voltage Descriptions
1 - 120 Volts

Vantage reserves the right to change components, finishes or design details in any manner which does not alter the installed appearance or reduce performance and intended function.

▲ See Options pages for other options and finishes. Vantage recommends the use of Philips or Sylvania lamps.