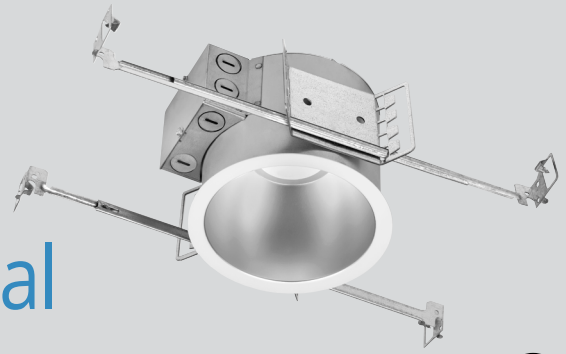


Catalog #	Type
Project	
Notes	Date
Prepared by	



6" LED/F-Class Commercial

LED 6" Open, Commercial Round Downlight, non-IC, 1100-2000 Lumens

Description

LED DLM Flex Systems

New LED Downlight Module (DLM) system now provide the latest advances, including 1% dimming and high quality LED options to satisfy both functional and performance requirements along with excellent energy efficiency and color consistency. For practical and general lighting applications, the LED DLM is an excellent solution. Its direct white mid-power LED technology combines high light quality and energy efficiency levels of 100 Lm/W, offering superior price/performance long with low maintenance costs and a long lifetime of 50,000 hours. Three lumen packages are available: 1100, 1500, 2000 lumens with color temperatures of 3000K, 3500K or 4000K.

Specifications and Features

Benefits

- High energy efficiency system up to 107 lm/W.
- Wide range of lumen packages from 1100-2000 lm.
- High quality of light with CRI 80 and 3 SDCM color consistency.
- 0-10V dimming to 1% of lumen output.
- Input volts 120-277V.
- 5 year warranty on LED components.

Frame

Heavy duty galvanized steel components including frame, adjustable mounting ears and junction box. Fixture is pre-wired and grounded with easy access from below, listed for through branch circuit wiring.

Standard mounting bars (included) incorporate rigid formed cross sections and include joist positioning tabs, integral nails, auxiliary nailholes, T-Bar slots and holes for locking to grid using self-tapping screws (supplied by others). Mounting ears will accept our standard bars (14" -24" ext), optional Caddy #517B (27" ext) and other mounting methods.

Insulation must be kept 3" away from fixture. Listed for damp locations.

Listings

Manufactured and Listed to UL 1598, ETL and CSA standards. Non-IC rated. Insulation to be kept 3" from luminaire. Suitable for Damp Locations; Wet location under covered ceiling. All photometric tests performed by an accredited NVLP facility and in accordance to IESNA LM-79-2008 testing procedures.

Warranty

5-year warranty on LED components.

Ordering Information

EXAMPLE: V6OFCR-1130K-F6060-SCL

Series/Source	Lumens	Kelvin	Reflector	Finish	Options
V6OFCR 6" round, F-Class, Open, Commercial	-11 - 1100 -15 - 1500 -20 - 2000	30K - 3000K 35K - 3500K 40K - 4000K	F6060	SCL SGC WHT	R Retro REM

Reflector Finish Options

SCL - Specular Clear "Alzak"
SGC - Soft Glow Clear
WHT - White Reflector

Options

R - Remodeler
Retro - Retrofit
REM - Remote mount emergency

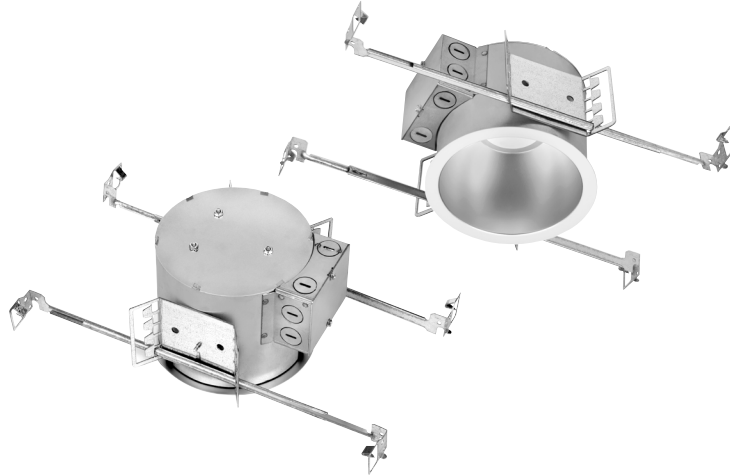
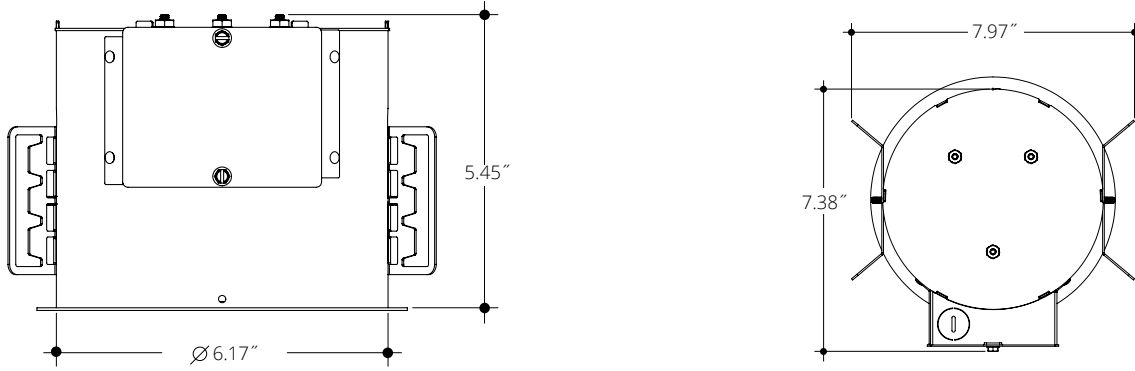
All trims supplied standard with white painted flange.

▲ Consultate Page OP-1 for additional housing and trim options.

Vantage reserves the right to change components, finishes or design details in any manner which does not alter the installed appearance or reduce performance and intended function.

Dimensional Data: LED 6" Open, Commercial Round Downlight, non-IC, 1100-2000 Lumens

Ceiling Cut Out 6.17"



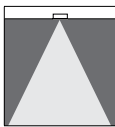
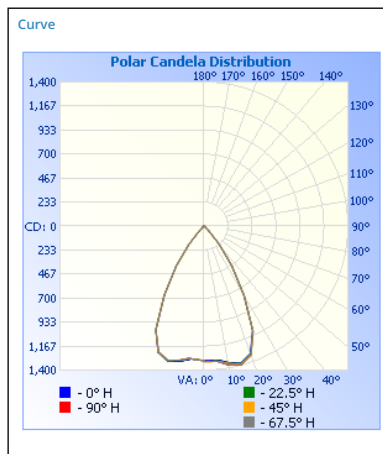
Lumens

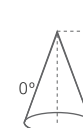
Lumens	Wattage*
1100	10.5
1500	15.1
2000	20.1

All measured at 3000K
**Actual Wattage/Lumens may vary.*

Photometrics

Test Number	PHM-RPT-180302-08
Diver	PHILIPS ADVANTAGE XITANIUM
Model	V6OFCRU-1535K
Lumens	1425.35
Efficacy	93.64
SC	0.9556

Cone of Light			
			
	Center Beam fc		
1.7	452	1.8	2.1
3.3	120	3.5	4.0
5.0	52.2	5.3	6.1
6.7	29.1	7.1	8.1
8.3	19.0	8.7	10.1
10.0	13.1	10.5	12.2

Candela Table	
Degrees Vertical	Candela
0.0	1306
1.0	1309
3.0	1310
5.0	1308
7.0	1316
9.0	1335
10.0	1345
15.0	1376
20.0	1315
25.0	1118
30.0	778
40.0	228
45.0	69
50.0	23
55.0	16
60.0	11
65.0	9
70.0	7
75.0	5
80.0	5
85.0	4
90.0	4
95.0	3
100.0	3

Zonal Lumen Summary		
Zone	Lumens	% Luminaire
0-30	998.0	70
0-40	1296.3	90.9
0-60	1382.2	97
60-90	18.1	1.3
70-100	13.7	1
90-120	10.9	0.8
0-90	1400.3	98.2
90-180	25.0	1.8
0-180	1425.4	100