

Catalog #	Type
Project	
Notes	Date
Prepared by	



6"x10" LED Commercial Cylinder

LED 6"x10" Open, Commercial Cylinder, non-IC, 1100-2000 Lumens

Description

Fortimo LED DLM Flex Systems

New Fortimo LED Downlight Module (DLM) system now provide the latest advances, including 1% dimming and high quality LED options to satisfy both functional and performance requirements along with excellent energy efficiency and color consistency. For practical and general lighting applications, the Fortimo LED DLM is an excellent solution. Its direct white mid-power LED technology combines high light quality and energy efficiency levels of 100 Lm/W, offering superior price/performance long with low maintenance costs and a long lifetime of 50,000 hours. Three lumen packages are available: 1100, 1500, 2000 lumens with color temperatures of 3000K, 3500K or 4000K.

Specifications and Features

Benefits

- High energy efficiency system up to 107 lm/W.
- Wide range of lumen packages from 1100-2000 lumens.
- High quality of light with CRI 80 and 3 SDCM color consistency.
- Philips 0-10V dimming to 1% of lumen output.
- Input volts 120-277V.
- Minimum 50,000 hours of life at L70 standard.
- 5 year warranty on LED components.

Cylinder

Housing is .064" thick spun aluminum cylinder. Polyester powdercoat exterior finish with factory standard colors White (WHT), Black (BLK), Silver (CS).

VC Mounting - Ceiling mount over recessed octagonal or 4" square junction box (by others).

VP Mounting - Pendant mount with 3/8" IP x 12" long rigid stem and swivel canopy for mounting on sloped ceilings up to 45°. 2' and 3' length stems also available.

CCK Cord and Cable Mounting kits available, standard length 72". Provided with 5 conductor cord to support 0-10V dimming.

Listings

Manufactured and Listed to UL 1598, ETL and CSA standards. Non-IC rated. Insulation to be kept 3" from luminaire. Suitable for Damp Locations; Wet location under covered ceiling. All photometric tests performed by an accredited NVLP facility and in accordance to IESNA LM-79-2008 testing procedures.

Warranty

5-year warranty on LED components.

Ordering Information

EXAMPLE: VC610FCR-2030K-CS

Mounting	Series	Lumens	Kelvin	Color	Options
VC VP	610FCR	-11 -1100 -15 - 1500 -20 - 2000	30K - 3000K 35K - 3500K 40K - 4000K	WHT BLK CS	CCK-72 P24 P36 REM

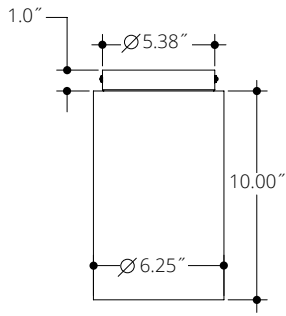
Options

CCK-72 - 6 foot cord and cable
P24 - 2 foot stem
P36 - 3 foot stem
REM - Remote mount emergency

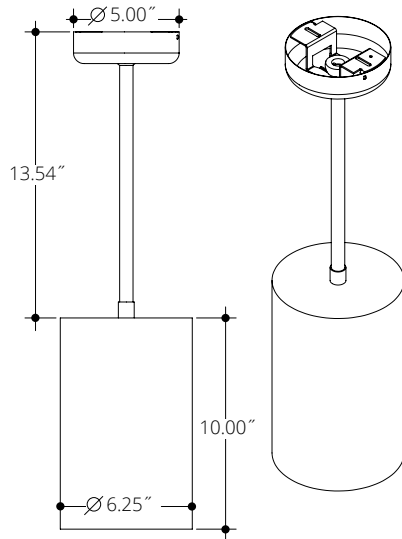
Vantage reserves the right to change components, finishes or design details in any manner which does not alter the installed appearance or reduce performance and intended function.

Dimensional Data: LED 6"x10" Open, Commercial Cylinder, non-IC, 1100-2000 Lumens

Ceiling Mount



Pendant Mount



Lumens

Lumens	Wattage*
1100	10.4
1500	15.1
2000	20.1

All measured at 3000K
**Actual Wattage/Lumens may vary.*

Photometrics

Test Number
PHM-RPT-180309-19

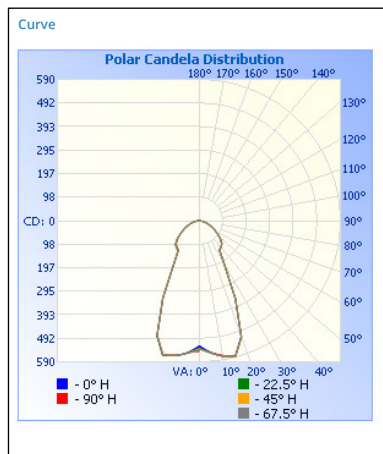
Diver
PHILIPS ADVANCE

Model
VP610FCR-1140K-WHT

Lumens
775.30

Efficacy
71.72

SC
0.9722



Cone of Light

	Center Beam fc	Beam Width	
1.7	184	1.7	1.5
3.3	48.9	3.3	3.0
5.0	21.3	4.9	4.5
6.7	11.9	6.6	6.1
8.3	7.73	8.2	7.5
10.0	5.32	9.9	9.1

Candela Table

Degrees Vertical	Candela
0.0	532
1.0	528
3.0	540
5.0	553
7.0	562
9.0	571
10.0	574
15.0	586
20.0	515
25.0	359
30.5	213
35.5	150
40.5	144
45.0	135
50.0	116
55.5	94
60.5	74
65.5	56
70.0	41
75.0	28
80.0	16
85.0	7
90.0	2
95.0	2
100.0	2

Zonal Lumen Summary

Zone	Lumens	% Luminaire
0-30	364.0	48.2
0-40	476.0	61.4
0-60	663.6	85.6
60-90	95.1	12.3
70-100	41.3	5.3
90-120	7.8	1.0
0-90	758.7	97.9
90-180	16.6	2.1
0-180	775.3	100.0