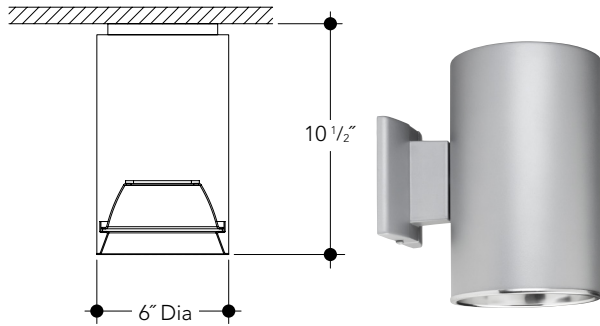


Project Name: _____ Type: _____

DIMENSIONS



FEATURES

Fortimo LED DLM Flex Systems

New Fortimo LED Downlight Module (DLM) Flex systems now provide the latest advances, including high quality LED options to satisfy both functional and performance requirements along with excellent energy efficiency and color consistency. For practical and general lighting applications, the Fortimo LED DLM Flex Module is an excellent solution.

Its direct white mid-power LED technology combines high light quality and energy efficiency levels over 100 Lm/W, offering superior price/performance along with low maintenance costs and a long lifetime of 50,000 hours. Four lumen packages are available: 1100, 1500, 2000 and 3000.

Features and Benefits

- High energy efficiency system up to 107 lm/W.
- Wide range of lumen packages from 1100-3000 lumens.
- High quality of light with CRI 80 and 3 SDCM color consistency.
- Philips Xitanium driver features internal thermal protection and 0-10V dimming to 1% of lumen output.
- Input volts 120-277V.
- Minimum 50,000 hours of life at L₇₀ standard.
- Smart systems with Philips Advance Xitanium drivers.
- 5 year warranty on LED module and driver.
- Wide variety of lensing options.

Cylinder

Housing is .064" thick spun aluminum cylinder. Polyester powdercoat exterior finish with factory standard colors White (WHT), Black (BLK), Bronze (BZ), Silver (CS).

VC Mounting - Ceiling mount over recessed octagonal or 4" square junction box (by others).

VP Mounting - Pendant mount with 3/8" IP x 12" long rigid stem and swivel canopy for mounting on sloped ceilings up to 45°. Custom length stems available.

VW Mounting - Wall mount bracket constructed of cast aluminum and designed for mounting over recessed junction box. (by others).

CCK Cord and Cable Mounting kits available, standard length 72", other lengths available. Provided with 5 conductor cord to support 0-10V dimming.

CYLINDER STYLES

LENSED

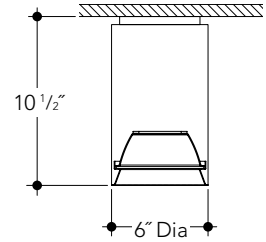
Ceiling Mount

6" Aperture

VC610PLED Ceiling Mount 6"x10"
Vertical LED

Finish Options

SCL Specular Clear "Alzak"
SGC Soft Glow Clear
ECL Etch Clear
WHT White Reflector



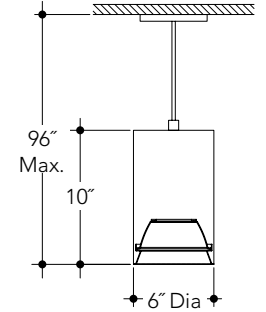
Pendant Mount

6" Aperture

VP610PLED Pendant Mount 6"x10"
Vertical LED

Finish Options

SCL Specular Clear "Alzak"
SGC Soft Glow Clear
ECL Etch Clear
WHT White Reflector



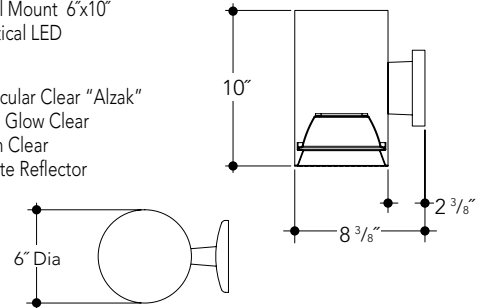
Wall Mount

6" Aperture

VW610PLED Wall Mount 6"x10"
Vertical LED

Finish Options

SCL Specular Clear "Alzak"
SGC Soft Glow Clear
ECL Etch Clear
WHT White Reflector



Manufactured and Listed to UL 1598, ETL and CSA standards.
Suitable for Damp Locations. Interior use only.

ORDERING INFORMATION

EXAMPLE: VC610PLED-2030K-L6011FR-WHT-REM

Wattage LED	Mounting	Series	Lumens	Kelvin	Reflector	Lens	Color	Finish	Baffle Color	Options
See Chart	VC	610PLED	-11 = 1100	27K = 2700K	L601(X)	1	WHT	SCL	WHT	CCK-(XX")
Below	VP		-15 = 1500	30K = 3000K	L602(X)	1P	BLK	SGC	BLK	P-(XX")
			-20 = 2000	35K = 3500K		1FR	BZ	ECL		REM
			-30 = 3000	40K = 4000K		4	CC	WHT		TDM
						4P	CS			
						2D				
						4D				
						6D				
						8D				

Lumens	Wattage*
1100-40K	13.8
1100-27K	14.7
1500-40K	18.8
1500-27K	20.1
2000-40K	25.2
2000-27K	26.4
3000-40K	35.8
3000-27K	37.1

*Actual Wattage/Lumens may vary.

Reflector

L601(X) Alzak or
Painted Splay
L602(X) Baffled Splay

Lens

1 Clear Glass
1P Clear Polycarbonate
1FR Frosted
4 Prismatic Glass
4P Prismatic Acrylic

Special Optics

2D - Optical Diffuser-20°
4D - Optical Diffuser-40°
6D - Optical Diffuser-60°
8D - Optical Diffuser-80°

Options

CCK-(XX") - Cord and
Cable Mounting Kit
P-(XX") - Additional Stem
Length (Specify Length)

REM - Remote Emergency
Battery Backup
REM not available with
the CCK (cord & cable kits)
TDM - Triac/phase
dimming to 20%

Vantage reserves the right to change components, finishes or design details in any manner which does not alter the installed appearance or reduce performance and intended function.

▲ See Options pages for other options and finishes.