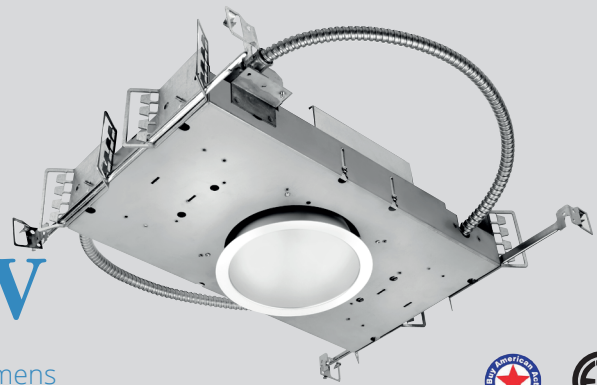


Catalog #	Type
Project	
Notes	Date
Prepared by	



6" LED/F-Class GEN V

LED 6" Open Wide Distribution Downlight, non-IC, 6000 & 7000 Lumens

Description

Extremely shallow, less than 3" projection into the plenum, 6 inch LED recessed, non-IC luminaire featuring superior thermal management. Light engine features LED module and LED driver with outputs of 6000 & 7000 lumens and color temperatures from 2700 to 4000°K. A wide selection of driver, reflector finishes and emergency battery back-up options available.

Specifications and Features

Construction

Galvanized steel mounting frame with integral junction box featuring hinged access covers and spring retaining latches; (3) 3/4" knockouts allowing straight conduit runs. Listed for (8) #12 AWG (4 in, 4 out), 90° C conductors and feed through branch wiring. Driver, LED module and optional battery backup accessible from below ceiling. Reflectors are held in place by friction clips, securing reflector flange tightly to finished ceiling.

Vertically adjustable mounting brackets, accessible from below, accept a variety of mounting bars. Provided as standard with rigid formed, galvanized bar hangers which incorporating joist positioning tabs, integral nails, auxiliary nail holes and T-bar slots. Suitable for joist spacing from 12 to 24".

Light Engine

LED module produces up to 107 lumens per watt. Output ranges of 6000 & 7000 lumens with (4) standard color temperatures. Color variations are less than 3-step MacAdam ellipses and have greater than 80 CRI at all color temperatures. Rated life in excess of 50,000 hours at 70% of initial lumen output (L₇₀≥50,000 hours). Standard driver is Advance Xitanium featuring auto reset thermal protection and

0-10V dimming to 1% of light output with flicker free operation.

Optics

LED module features soft white acrylic window, obscuring LED's, preventing pixilation and producing uniform brightness. Reflectors are a one-piece spinning from heavy gauge, high purity aluminum and are self-flanged. Reflectors are available in both Alzak® and painted finishes, producing a uniform distribution free of streaks, striations or hotspots while also provide superior cutoff and brightness control. Standard distribution is medium with lens options are available that include glass and polycarbonate materials with a variety of optical properties.

Controls

Compatible with a wide range of controls systems depending on driver selected. Standard driver features SensorReady technology for simple 2 wire connection to motion and daylight harvesting sensors. An open source architecture allows for the use of a wide variety of sensors and the ability to control individual or grouped luminaires through wireless communications. Contact factory for option controls and sensors.

Listings

Manufactured and Listed to UL 1598, ETL and CSA standards. Non-IC rated. Insulation to be kept 3" from luminaire. Suitable for Damp Locations; Wet Locations under covered ceiling. All photometric tests performed by an accredited NVLP facility and in accordance to IESNA LM-79-2008 testing procedures.

Warranty

5-year warranty on LED module, driver, housing and reflectors.

Ordering Information

EXAMPLE: A6VWOFLEDU-7030K-W6060-SGC

Series/Source	Voltage	Lumens	Kelvin	Reflector	Finish	Options	BeamShaper
A6VWOFLED 6" round, non-IC Wide	U ¹ - 120V-277V 1 - 120 Volts 2 - 277 Volts	-60 - 6000 -70 - 7000	27K - 2700K 30K - 3000K 35K - 3500K 40K - 4000K	W6060 <i>Flood Distribution</i>	SCL SGC WHT	DMX ⁵ EM-20 ⁸ PF	1D 2D 3D 4D 5D 6D 7D 8D

Reflector Finish Options

SCL - Specular Clear

SGC - Soft Glow Clear

WHT - White Painted

All trims supplied standard with white painted flange.

Options

DMX⁵ - DMX Dimming Driver with RDM.

EM-20⁸ - Emergency battery back-up. Remote test button & indicator Light

PF - Polished Flange.

Optional BeamShaper

1D - Optical Diffuser-10°

2D - Optical Diffuser-20°

3D - Optical Diffuser-30°

4D - Optical Diffuser-40°

5D - Optical Diffuser-50°

6D - Optical Diffuser-60°

7D - Optical Diffuser-70°

8D - Optical Diffuser-80°

Notes

1 - Must provide voltage when optional drivers are selected.

5 - DMX not available above 6000 lumens

8 - EM20 for use above 5000 lumens.

▲ Consultate Page OP-1 for additional housing and trim options.

▲ Consultate Page LED-DD for decorative trim options.

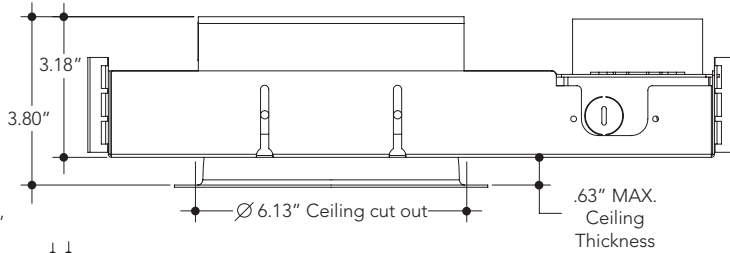
Vantage reserves the right to change components, finishes or design details in any manner which does not alter the installed appearance or reduce performance and intended function.

LED 6" Open Wide Distribution Downlight, non-IC, 6000 & 7000 Lumens

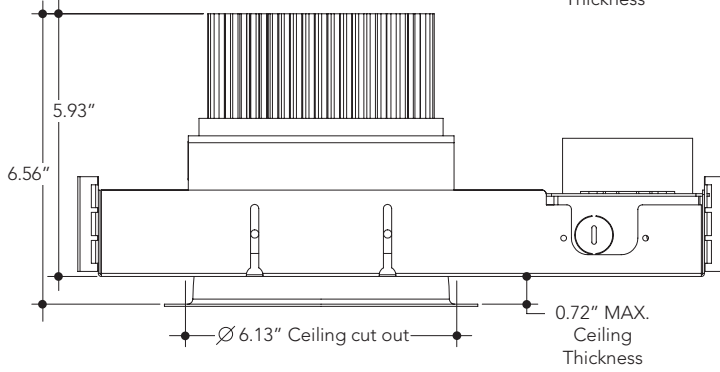
Lumens	Wattage*
6000	60.1
7000	85.3
<i>All measured at 3000K *Actual Wattage/Lumens may vary.</i>	

Ceiling Cut Out 6.13"

Above Ceiling Height with 5/8" Ceiling
 • 3.18" \approx 3000L
 • 3.49" \approx 4000 & 5000L

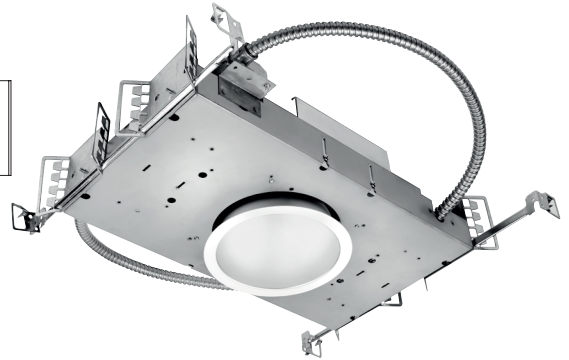


Above Ceiling Height Maximum Ceiling Thickness 1.25" - 3.14"
 Minimum Ceiling Thickness 0.25" - 3.75"



Above Ceiling Height with 5/8" Ceiling
 • 5.93" 6000L & 7000L

Above Ceiling Height Maximum Ceiling Thickness 1.25" - 5.45"
 Minimum Ceiling Thickness 0.25" - 6.50"



Photometrics



VANTAGE LIGHTING F-CLASS GEN V Multiplier					
CRI	MULTIPLIER	KELVIN	MULTIPLIER	FINISH	MULTIPLIER
80	1	4000K	1.035	SCL	1
90	0.81	3500K	1	SGC	0.95
		3000K	0.975	WHT	0.87
		2700K	0.939		

6000&7000 Lumens?
 Do you have the info
 for this chart?