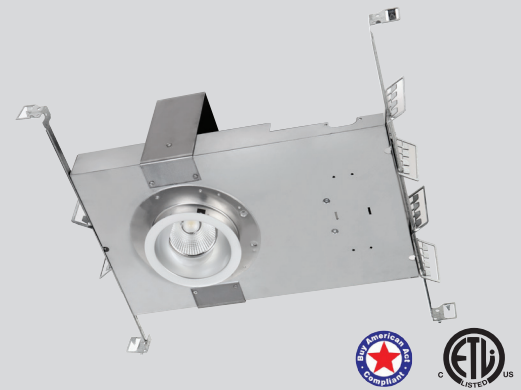


Catalog #	Type
Project	
Notes	Date
Prepared by	



# 4" LED/F-Class GEN V

LED 4" Open Adjustable Downlight, non-IC, 800-3000 Lumens



## Description

### Fortimo LED SLM Systems

LED downlight with Fortimo SLM LED module available in 800, 1100, 1500, 2000 and 3000 lumens. A variety of control systems can be accommodated, using the standard Xitanium or with optional drivers including Lutron. Please consult factory.

## Specifications and Features

### Benefits

- Remote phosphor module has 80 CRI for excellent color consistency.
- Highly Energy Efficient Lighting Solution - 90 lumens per watt.
- Philips Xitanium driver features 0-10V dimming to 1% of lumen output.
- Input volts 120-277V.
- Long Life minimum 50,000 hours (L70).
- 5 year warranty on LED components.

### Frame

Heavy duty galvanized steel components including frame, adjustable mounting ears and junction box. Fixture is pre-wired and grounded with easy access from below, listed for through branch circuit wiring.

Standard mounting bars (included) incorporate rigid formed cross sections and include joist positioning tabs, integral nails, auxiliary nailholes, T-Bar slots and holes for locking to grid using self-tapping screws (supplied by others). Mounting ears will accept our standard bars (14" -24" ext), optional Caddy #517B (27" ext) and other mounting methods.

Above ceiling access required.

Insulation must be kept 3" away from fixture. Listed for damp locations.

### Listings

Manufactured and Listed to UL 1598, ETL and CSA standards. Non-IC rated. Insulation to be kept 3" from luminaire. Suitable for Damp Locations; Wet location under covered ceiling. All photometric tests performed by an accredited NVLP facility and in accordance to IESNA LM-79-2008 testing procedures.

### Warranty

5-year warranty on LED components.

## Ordering Information

EXAMPLE: A4VOFLEDADJ1-1527K-L4030-ECL-EM

Series/Source	Voltage	Distribution	Lumens	Kelvin	Reflector	Finish	Options
A4VOFLEDADJ 4" round, F-Class, Adjustable	1 - 120 Volts 2 - 277 Volts	N M	-08 - 800 -11 - 1100 -15 - 1500 -20 - 2000 -30 - 3000	27K - 2700K 30K - 3000K 35K - 3500K 40K - 4000K 50K - 5000K	L4030 15°/45°	SGC WHT	DL-2 <sup>2</sup> DL-3 <sup>3</sup> LDE1 <sup>3</sup> TDM <sup>4</sup> DMX <sup>5</sup> DTD <sup>6</sup> EM-17 <sup>7</sup> HCR <sup>10</sup> PF

### Voltage Options

1 - 120 Volts  
2 - 277 Volts

### Distribution

NW - Narrow 27°  
MD - Medium 40°

### Flange Color Options

SGC - Soft Glow Clear  
WHT - White Reflector

### Options

DL-2<sup>2</sup> - Lutron 2 wire Hi-Lume Dimming Driver.  
DL-3<sup>3</sup> - Lutron 3 wire Hi-Lume Dimming Driver.  
LDE1<sup>3</sup> - Lutron EcoSystem Fade-to-Black™.  
TDM<sup>4</sup> - Triac Dimming Driver. Not available above 5000 Lumens.  
DMX<sup>5</sup> - DMX Dimming Driver with RDM.  
DTD<sup>6</sup> - 0.1% dimming.  
EM-17<sup>7</sup> - Emergency battery back-up. Remote test button & indicator Light.

HCR<sup>10</sup> - 90 CRI (minimum).  
PF - Polished Flange.

▲ Consultate Page OP-1 for additional housing and trim options.

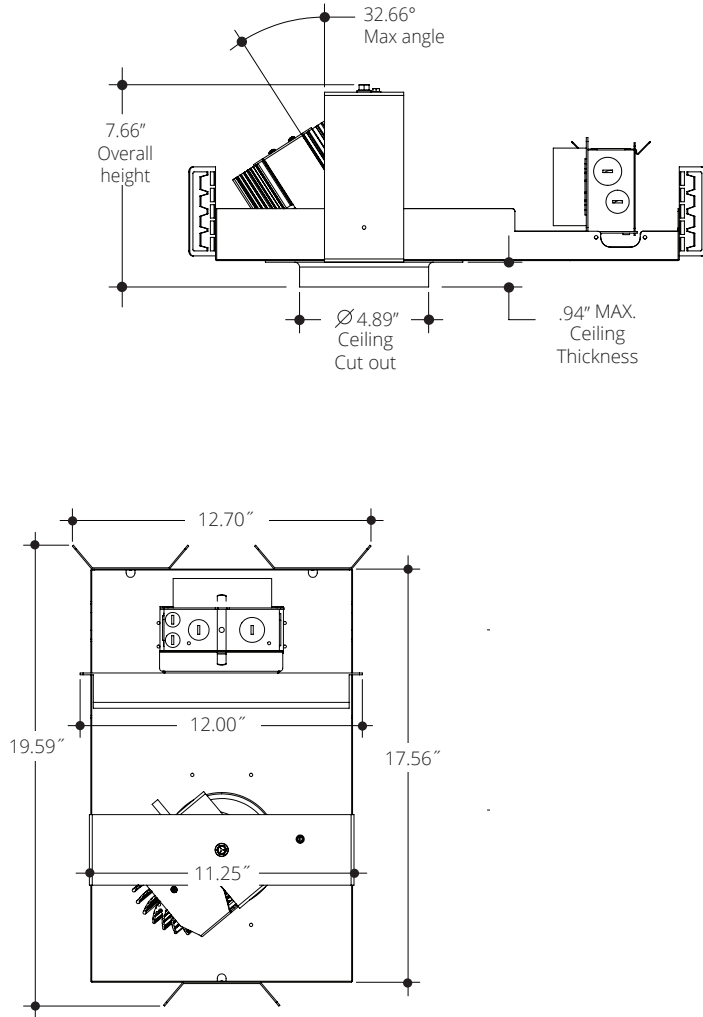
### Notes

- 2 - DL-2 Not available above 3000 Lumens.
- 3 - DL-3 & LDE1 not available above 4000 Lumens.
- 4 - TDM driver not available above 4000 Lumens.
- 5 - DMX not available above 6000 Lumens
- 6 - DTD not available above 4000 Lumens.
- 7 - EM17 for use up to 5000 Lumens.
- 10 - HCR not available above 2000 Lumens.

Vantage reserves the right to change components, finishes or design details in any manner which does not alter the installed appearance or reduce performance and intended function.

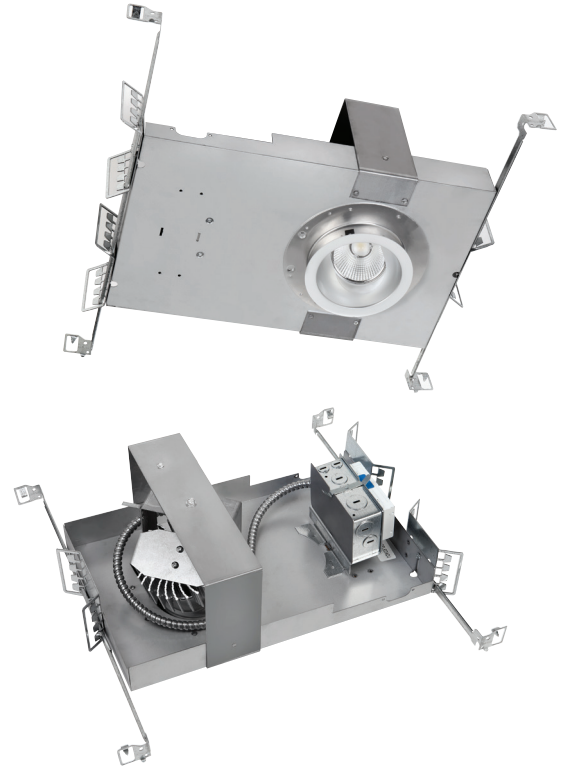
# LED 4" Open Adjustable Downlight, non-IC, 800-3000 Lumens

Ceiling Cut Out 4.89"



## Lumens

Lumens	Wattage*
1100	15.0
1300	25.0
3000	40.0
<i>All measured at 3000K</i>	
<i>*Actual Wattage/Lumens may vary.</i>	



## Photometrics

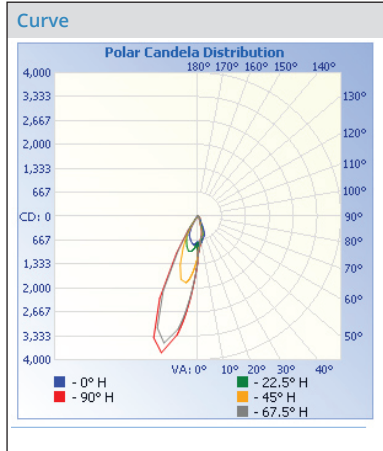
Test Number  
PHM-RPT-180309-17

Model  
A4VOFLEDADJU-1135K

Lumens  
981.33

Efficacy  
65.99

SC  
0.9849



Cone of Light

	Center Beam fc	Beam Width	
1.7	329	0.6	0.7
3.3	87.4	1.2	1.4
5.0	38.1	1.8	2.1
6.7	21.2	2.4	2.8
8.3	13.8	2.9	3.4
10.0	9.51	3.5	4.1

Candela Table

Degrees Vertical	Candela
0.0	951
1.0	774
3.0	764
5.0	753
7.0	739
9.0	707
15.0	609
20.0	556
25.0	354
30.0	144
35.0	108
40.0	83
45.0	57
50.0	35
55.0	22
60.0	13
65.0	9
70.0	7
75.0	6
80.0	5
85.0	4
90.0	3
95.0	3
100.0	3

Zonal Lumen Summary

Zone	Lumens	% Luminaire
0-30	74.1	75.5
0-40	869.0	88.5
0-60	941.3	95.9
60-90	20.4	2.1
70-100	12.6	1.3
90-120	8.9	0.9
0-90	961.7	98
90-180	19.7	2
0-180	981.3	100

VANTAGE LIGHTING F-CLASS GEN V Multipliers

CRI	MULTIPLIER	KELVIN	MULTIPLIER	FINISH	MULTIPLIER
80	1	5000K	1.098	SCL	1
90	0.81	4000K	1.035	SGC	0.95
		3500K	1	WHT	0.87
		3000K	0.975		
		2700K	0.939		