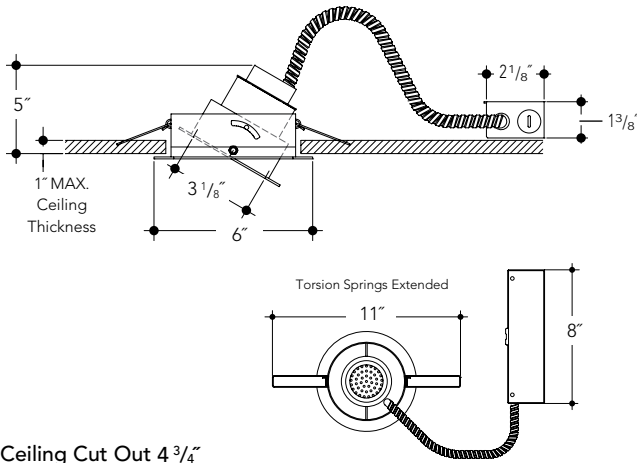


Project Name: \_\_\_\_\_ Type: \_\_\_\_\_

**DIMENSIONS**



Ceiling Cut Out 4 3/4"

**FEATURES**

**LED Array**

LED downlighting is available in 700 and 1300 lumens. A wide selection of optical assemblies allow distributions patterns to be tailored to fit a variety of applications. Standard non-dimming driver with optional dimming drivers with the ability to interface with 0-10V or Triac lighting control systems provide additional light level control.

**Benefits**

- Light engine with three step MacAdam Ellipse binning for excellent color consistency.
- Standard 80 CRI (minimum) with optional 95 CRI (minimum) for color critical applications.
- Highly energy efficient lighting solution with up to 100 lumens per watt.
- Driver housed within approved splice compartment and is thermally protected.
- All drivers include integrated surge protection.
- Optional 0-10V dimming drivers in two varieties, down to 10% or 1% of lumen output.
- Optional Triac dimming driver with dimming to 20% of lumen output
- Long Life. Minimum L<sub>70</sub> of 50,000 hours.
- Indexed adjustment up to +/- 30 °.
- 5 year warranty on LED module and driver.

**Housing**

Polyester powder coat painted heavy gauge cold roll steel housing with integrated flange and stainless steel spring torsion retaining ears. Luminaire is pre-wired and grounded to driver housing/junction box with easy access from below. Driver/ junction box is listed for through branch circuit wiring. Integrated forged aluminum heat sink promotes rapid heat dissipation, extending LED life.

Optional New Construction Frame provides positive location for ease of installation in a variety of ceiling materials. Includes integrated bar hangers which feature rigid form cross sections and include joist position tabs, integral nails, auxiliary nail holes, T-Bar slots and holes for locking to grid using self-tapping screws (by others). Non-IC construction. Insulation must be kept 3" away from luminaire.

**REFLECTOR KIT**

**OPEN - LED - ROUND**

LED 4" Aperture

**C400** Semi-specular or matte white painted reflector with deeply recessed lens, lightly frosted polycarbonate lens.

**Distribution Options**

\*Beam angle is 50% of Center Beam Candle Power.

- NW Narrow 14°
- MD Medium 20°
- WE Wide 42°
- FL Flood

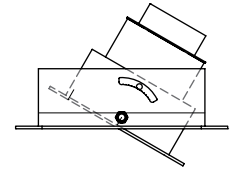
**Reflector Finish Options**

Reflector standard finish semi-specular clear. Flood distribution is matte white finish only.

**SGC** Semi-Specular Clear  
(Not available with Flood distribution)

**WHT** White Painted  
(Available with Flood distribution only)

White Flange is Standard



Typical C Class Round with New Construction Frame



Manufactured and Listed to UL 1598, ETL and CSA standards. Suitable for Damp Locations. Wet location under covered ceiling.



**ORDERING INFORMATION**

EXAMPLE: A4VOCLEDADJ1-0727K-C400-SGC-NW-WHT-EM

Wattage LED	Series/Source	Voltage	Lumens	Kelvin	Reflector	Finish	Distribution	Flange Color	Options
See Chart	A4VOCLEDADJ	1	-07 = 700	27K = 2700K	C400	SGC	NW	WHT	EM
Below		2	-13 = 1300	30K = 3000K		WHT*	MD	BLK	HCR
				35K = 3500K		(Available with Flood distribution only)	WE		NCF
				40K = 4000K			FL		SDM
									TDM
									ZDM

Lumens	Wattage*
700-3k	7.7
700-4k	7
1300-3k	14.4
1300-4k	13.5

\*Actual Wattage/Lumens may vary.

**Voltage**  
1 - 120 Volts  
2 - 277 Volts

**Distribution**  
NW - Narrow 14°  
MD - Medium 20°  
WE - Wide 42°  
FL - Flood

**Flange Color Options**  
WHT - White  
BLK - Black

**Options**  
EM - Emergency Battery  
HCR - 95 CRI (minimum)  
NCF - New Construction Frame  
SDM - 0-10V Dimming to 10%  
TDM - Triac Dimming Driver  
ZDM - 0-10V Dimming to 1%

Vantage reserves the right to change components, finishes or design details in any manner which does not alter the installed appearance or reduce performance and intended function.

▲ See Options pages for other options and finishes.