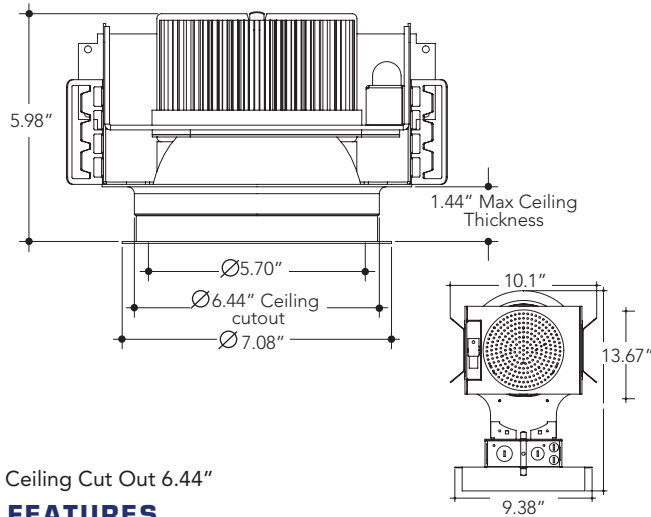


**DIMENSIONS**



Ceiling Cut Out 6.44"

**FEATURES**

**Module**

A high output module featuring a wide variety of lumen and color packages. Standard solid state driver, provides stable and efficient performance and a variety of dimming control options.

**Benefits**

- Highly energy efficient solution: 90-100 lumens per watt.
- Wide range of color temperatures 2700-4000K.
- MacAdams color consistency 2-3 steps.
- Module features high quality accurate color production and uniform consistent white light.
- 0-10V Dimming Driver to 10% light output standard. Optional 0-10V Dimming to 1%. Optional DMX Dimming.
- 80 CRI.
- Contact factory for 90 CRI Availability.

**Frame**

Heavy duty galvanized steel components including frame, adjustable mounting ears and junction box. Fixture is pre-wired and grounded with easy access from below, listed for through branch circuit wiring.

Standard mounting bars (included) incorporate rigid formed cross sections and include joist positioning tabs, integral nails, auxiliary nailholes, T-Bar slots and holes for locking to grid using self-tapping screws (supplied by others). Mounting ears will accept our standard bars (14"-24" ext), optional Caddy #517B (27" ext) and other mounting methods.

Insulation must be kept 3" away from fixture. Listed for damp locations.

**REFLECTOR KIT**

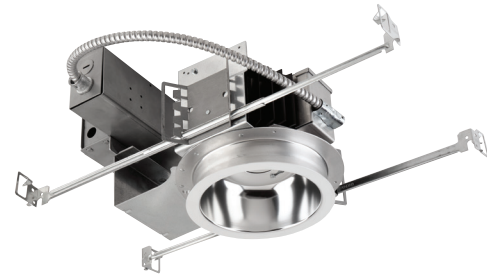
**OPEN - LED - ROUND**

LED - Wide Angle 6" Aperture

- W6060** 6" LED Open Round
- Finish Options**
- SCL Specular Clear "Alzak"
  - SGC Soft Glow Clear
  - WHT White Reflector
- Options**
- PF Polished Flange



All trims supplied standard with white painted flange.



Manufactured and Listed to UL 1598, ETL and CSA standards. Suitable for Damp Locations. Wet location under covered ceiling.

**ORDERING INFORMATION**

EXAMPLE: A6VWBLED-W1-4027K-W6060-SGC-DMX

Wattage LED	Housing	Distribution	Voltage	Lumens	Kelvin	Reflector	Finish	Options
See Chart Below	A6VWBLED	W	1	-40 = 4000	27K = 2700K	W6060	SCL	DMX
		Wide	2	-50 = 5000	30K = 3000K		SGC	EM
				-60 = 6000	35K = 3500K		WHT	HCR
				-80 = 8000	40K = 4000K			PF
				-100 = 10000				ZDM
				-120 = 12000				
				-150 = 15000				

Lumens	Wattage*
4000	43W
5000	58W
6000	71W
8000	86W
10000	106W
12000	126W
15000	159W

\*Actual Wattage/Lumens may vary.

**Voltage**  
 1 - 120 Volts  
 2 - 277 Volts  
 3 - 347 Volt - Please Consult Factory

**Options**  
 DMX - DMX Dimming Driver with RDM  
 \*Contact Factory for DMX availability above 1000 lumens.  
 EM - Emergency Battery  
 HCR - High Color Rendering - 90 CRI Min.  
 PF - Polished Flange  
 ZDM - 0-10V Dimming to 1%

Vantage reserves the right to change components, finishes or design details in any manner which does not alter the installed appearance or reduce performance and intended function.

▲ See Options pages for other options and finishes.