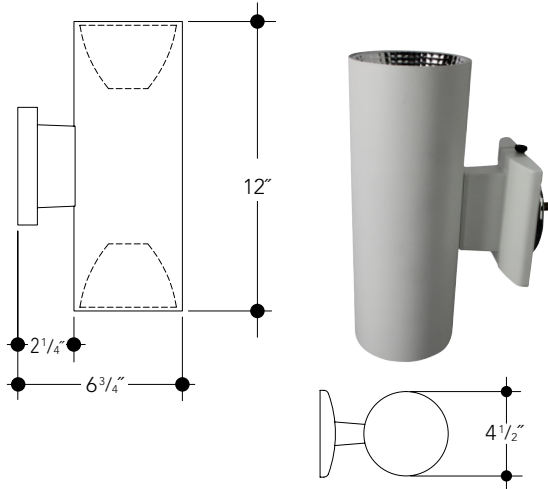


**DIMENSIONS**



**FEATURES**

**High Performance LED Array**

A compact, high quality light LED array with industry leading efficiency of over 100 lumens per watt. With reduced thermal resistance and increased maximum allowable operating temperatures, Vantage Lighting mates these features with excellent thermal management techniques within the luminaire to provide unsurpassed life expectancy. Tight binning control ensures minimal colorvariation from source to source and lower operating temperatures minimize color shift over time. Available in a wide variety of color temperatures and in either an 80 minimum, or optional 90 minimum CRI. Offered standard with 0-10V dimming compatible driver and optional phase/Triac dimming driver available.

**Features and Benefits**

- Industry leading lumens per watt (efficacy).
- Wide range of standard color temperatures 2700-4000K.
- Color consistency with a maximum of a 3 step MacAdam ellipse.
- Standard 80 minimum CRI with optional 90 minimum CRI, R9 value of 50 minimum.
- 0-10V dimming driver to 10% of light output standard. Optional phase/Triac dimming driver to 20% of light output available.
- Minimum L<sub>70</sub> 50,000 hours in all configurations.
- All electronic components are covered by a 5 year warranty.

**Cylinder**

Housing is .064" thick spun aluminum cylinder. Polyester powdercoat exterior finish with factory standard colors White (WHT), Black (BLK), Bronze (BZ), Silver (CS).

Reflector is injection molded polycarbonate with semi-specular finish. Choice of three symmetrical distribution patterns.

Uplight lens is lightly frosted polycarbonate and mechanically retained in cast aluminum frame.

Wall Bracket is a cast aluminum construction.

For canopy details see Mounting Options Specification Sheet.

**CYLINDER STYLES**

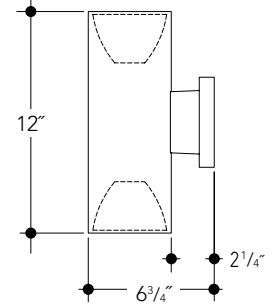
**OPEN**

Wall Mount 4"x12" 4" Aperture

VW412OBLED Wall Mount 4"x12" Vertical LED

**Distribution Options**

- NW Narrow
- MD Medium
- WE Wide



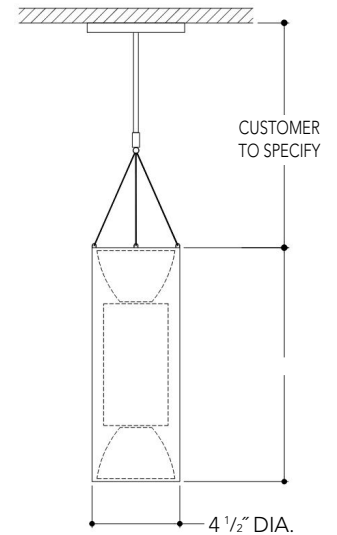
**Pendant Mount**

4" Aperture

VP412OBLED Pendant 4"x12" Vertical LED

**Distribution Options**

- NW Narrow
- MD Medium
- WE Wide



**ORDERING INFORMATION**

EXAMPLE: VW412OBLED-0740K-MDU-0740K-MDD-BLK-HCR

Wattage LED	Mounting	Series	Lumens Up	Kelvin Up	Distribution Up	Lumens Down	Kelvin Down	Distribution Down	Color	Options
See Chart	VW	412OBLED	-07 = 700	27K = 2700K	NWU	-07 = 700	27K = 2700K	NWD	WHT	HCR
Below	VP			30K = 3000K	MDU	-13 = 1300	30K = 3000K	MDD	BLK	REM
				35K = 3500K	WEU		35K = 3500K	WED	BZ	TDM
				40K = 4000K			40K = 4000K		CC	
									CS	

Lumens	Wattage*
700	11.5
1300	16.4

\*Actual Wattage/Lumens may vary.

\* For total luminaire wattage consumption add up and down wattage.

Vantage reserves the right to change components, finishes or design details in any manner which does not alter the installed appearance or reduce performance and intended function.

**Options**

- HCR - High Color Rendering - 90 CRI Min.
- REM - Remote Emergency Battery Backup
- TDM - Triac/phase dimming to 20% (Operation downward only)

▲ See Options pages for other options and finishes.