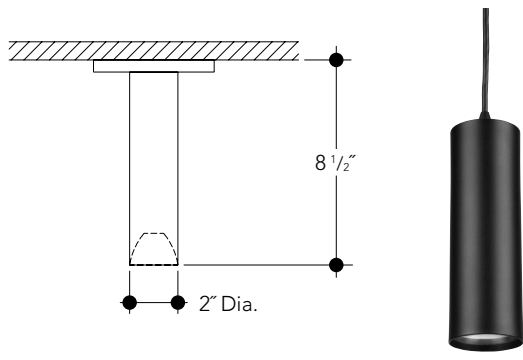


**DIMENSIONS**



**FEATURES**

**High Performance LED Array**

A compact, high quality light LED array with industry leading efficiency of over 100 lumens per watt. With reduced thermal resistance and increased maximum allowable operating temperatures, Vantage Lighting mates these features with excellent thermal management techniques within the luminaire to provide unsurpassed life expectancy. Tight binning control ensures minimal color variation from source to source and lower operating temperatures minimize color shift over time. Available in a wide variety of color temperatures and in either an 80 minimum, or optional 90 minimum CRI. Offered standard with 0-10V dimming compatible driver and optional phase/Triac dimming driver available.

**Features and Benefits**

- Industry leading lumens per watt (efficacy).
- Wide range of standard color temperatures 2700-4000K.
- Color consistency with a maximum of a 3 step MacAdam ellipse.
- Standard 80 minimum CRI with optional 90 minimum CRI, R9 value of 50 minimum.
- 0-10V dimming driver to 10% of light output standard. Optional phase/Triac dimming driver to 20% of light output available.
- Minimum L<sub>70</sub> 50,000 hours in all configurations.
- All electronic components are covered by a 5 year warranty.

**Cylinder**

Housing is .064" thick spun aluminum cylinder. Polyester powdercoat exterior finish with factory standard colors White (WHT), Black (BLK), Bronze (BZ), Silver (CS).

VC Mounting - Ceiling mount over recessed octagonal or 4" square junction box (by others).

VP Mounting - Pendant mount with 1/4" IP x 12" long rigid stem and swivel canopy for mounting on sloped ceilings up to 45°. Custom length stems available.

VW Mounting - Wall mount bracket constructed of cast aluminum and designed for mounting over recessed junction box. (by others).

VCK Cord Mounting standard length 72", other lengths available. Provided with 5 conductor cord to support 0-10V dimming. Cord color automatically selected to most closely match painted finish (White, Black or Gray).

For canopy details see Mounting Options Specification Sheet.

**CYLINDER STYLES**

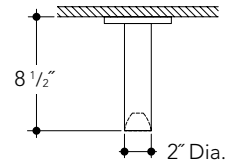
**OPEN**

**Ceiling Mount** 2" Aperture

VC208BLED Ceiling Mount 2"x8" Vertical LED

**Distribution Options**

- NW Narrow
- MD Medium

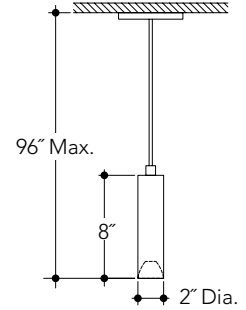


**Pendant Mount** 2" Aperture

VP208BLED Pendant Mount 2"x8" Vertical LED

**Distribution Options**

- NW Narrow
- MD Medium

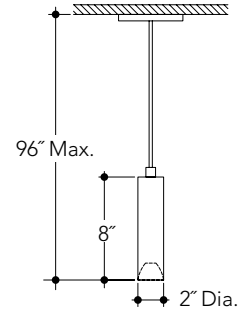


**Cord Mount** 2" Aperture

VCK208BLED Cord Mount 2"x8" Vertical LED

**Distribution Options**

- NW Narrow
- MD Medium

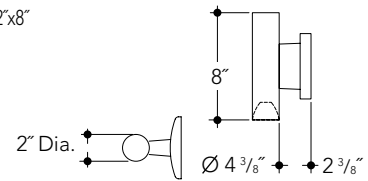


**Wall Mount** 2" Aperture

VW208BLED Wall Mount 2"x8" Vertical LED

**Distribution Options**

- NW Narrow
- MD Medium



Manufactured and Listed to UL 1598, ETL and CSA standards. Suitable for Damp Locations. Interior use only.

**ORDERING INFORMATION**

EXAMPLE: VCK208BLED-0730K-MD-CS-CK-96"

Wattage LED	Mounting	Series	Lumens	Kelvin	Distribution	Color	Options
See Chart Below	VC	208BLED	-07 = 700	27K = 2700K	NW	WHT	CK-(XX")
	VP		-13 = 1300	30K = 3000K	MD	BLK	HCR
	VCK			35K = 3500K		BZ	P-(XX")
	VW			40K = 4000K		CC	REM
						CS	TDM

Lumens	Wattage*
700	11.5
1300	16.4

\*Actual Wattage/Lumens may vary.

**Options**

- CK-(XX") - Additional cord length (Specify Length)
- HCR - High Color Rendering - 90 CRI Min.
- P-(XX") - Additional Stem Length (Specify Length)

- REM - Remote Emergency Battery Backup  
REM not available with the VCK (cord mounted)
- TDM - Triac/phase dimming to 20%

Vantage reserves the right to change components, finishes or design details in any manner which does not alter the installed appearance or reduce performance and intended function.

▲ See Options pages for other options and finishes.