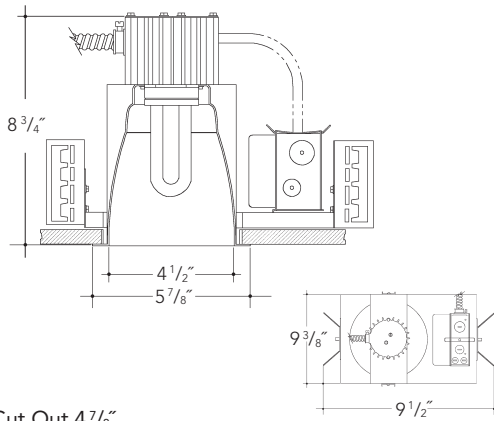


DIMENSIONS



Ceiling Cut Out 4 7/8"

FEATURES

Adjustable height electrogalvanized plated steel mounting ears with cutouts for various mounting methods. Standard bars (included) are innovative and incorporate rigid formed cross sections, joist positioning tabs, integral nails, auxiliary nailholes, T-Bar slots and holes for locking bars to T-Bar using #8 self-tapping screws (supplied by others). Bars extend 14"-24". Ears will also accept Caddy Bar #517B for fast installation in T-Bar ceilings, bars extend 27".

Electronic ballast, Class P, 50/60 HZ-120-277, Programmed Start, thermally protected, 98% Power Factor, 1.00 Ballast Factor, <10% THD, Class A sound rated. Minimum starting temperature -18°C/0°F.

Heavy gauge electrogalvanized steel junction box, prewired and grounded with easy access from below, listed for through branch circuit wiring.

Aluminum heat sink socket cup with Zinc plated steel hardware. Reflector keyslot installation for fast assembly. UL Listed socket.

Heavy gauge spun aluminum low iridescent reflector with self trimming white painted flange. Keyslots to secure reflector. Polished Flange available.

Aluminum frame with Integral Plaster Ring.

*Fixture will accept Quad or Triple Tube lamps.

Features



Manufactured and Listed to UL 1598, ETL and CSA standards.
Suitable for Damp Locations.
Wet location under covered ceiling.

ORDERING INFORMATION

EXAMPLE: A4VF126E1-2-4200-SCL

Lamps and Wattage	Housing	Ballast	Reflector	Finish	Baffle	Options
Quad and Triple Tube 1x26, 1x32	A4VF126-32	E1-2 E3 DL DAX1 DAX2 DA7	4200 Baffled 4250 Wall Wash 4201	SCL SGC ECL WHT	BL WH	F PF GSK EM

Ballast Options

Electronic 120-277 volt is standard
E1-2 - Electronic (120-277V)
E3 - Electronic (347V)

Dimming Ballast Options

DL - Lutron Eco System (120-277V)
DAX1 - Advance Mark X (120V)
DAX2 - Advance Mark X (277V)
DA7 - Advance Mark VII (120-277V)

Options Descriptions

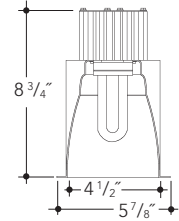
F - Fused
PF - Polished Flange
GSK - Neoprene Foam Gasketing
EM - Emergency Battery

REFLECTOR KIT

OPEN

1 LT, Triple Tube 4" Aperture

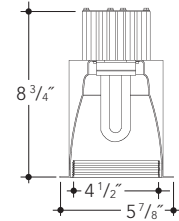
- 4200 Open
- Finish Options**
- SCL Specular Clear "Alzak"
- SGC Soft Glow Clear
- ECL Etch Clear
- WHT White Reflector
- Options**
- PF Polished Flange



OPEN BAFFLED

1 LT, Triple Tube 4" Aperture

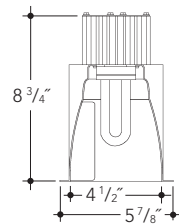
- 4250 Open Baffled
- Finish Options**
- Specify reflector finish option - see above, then add baffle finish color
- BL Black Baffle
- WH White Baffle



WALL WASH

1 LT, Triple Tube 4" Aperture

- 4201 Wall Wash
- Finish Options**
- SCL Specular Clear "Alzak"
- Options**
- PF Polished Flange



Vantage reserves the right to change components, finishes or design details in any manner which does not alter the installed appearance or reduce performance and intended function.

▲ See Options pages for other options and finishes.
Vantage recommends the use of Philips or Sylvania lamps.